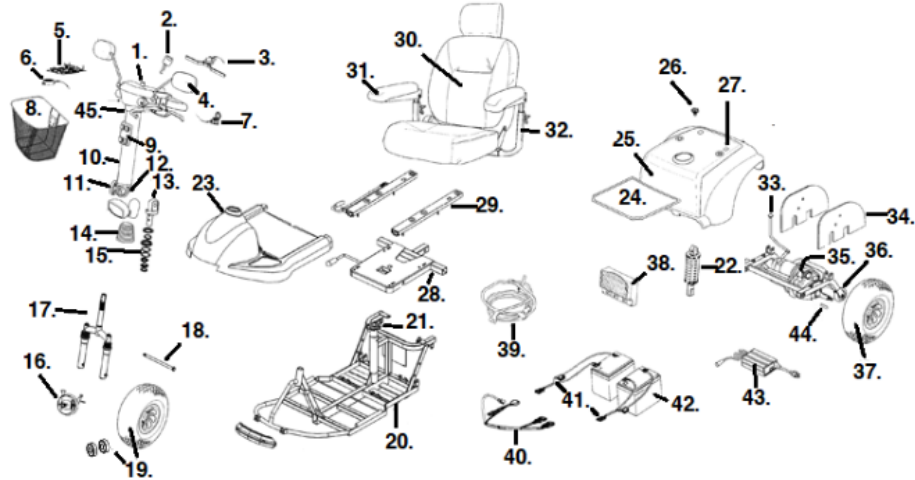


PROWLER 3310

1. Speed Dial Gen 3- LRA402204-03SD
Speed Dial Knob-LRM412103-11
2. Key- LRB402323-01
Key Switch- LRB402323-02
3. Throttle- LRA402202
4. Left Mirror- LRA402225-01
5. Tiller PC Board Gen1- LRA402204
Tiller PC Board Gen 2- [1]
6. Horn Gen 1- LRM402200-21
7. Charger Port Gen 1- LRA402210-02
Charger Port Gen 2 LRA402210-03
8. Basket- LRA402226
9. Basket Bracket- LRM412101-08
10. Aluminum Tiller Cover- LRB402357
11. Tiller Adjustment Knob- LRA402201-23
12. Upper Tiler Swivel Cover- LRB402357
13. Upper Folding Hinge-LRB402345
Lower Folding Hinge- LRB402339
14. Tiller Boot- LRB402344
15. Tiller Bearing Set- LRB402348
16. Drume Brake Assy.- LRB402300-08
17. Front Fork- LRB302300-15
18. Front Axle- LRB302300-16
19. Front Wheel- LRB302309
Inner Tube- LRB302309-03
Tire- LRB302309-05
Front Wheel Bearing- STDS1012
19. Brake Drum- LRB402358
20. Front Frame- LRB302300-22
21. Seat Post- LRC402414-13
Seat Bolt- LRC402414-12
22. Rear Shock Absorber- LRB402329-05
23. Front Shroud- LRB302318
24. Floor Mat- LRB302316
25. Rear Shroud- LRB402319
26. Shroud Knob- LDR410115-03
27. Circuit Breaker- LRB402307
Sub.- LRC402307LRB
28. Seat Plate- LRC402414
29. Seat Slides- LRA402317



30. Seat 20"- ST301-201820
Seat 22"- ST306-222020 [2]
Seat Assy. 20"- ST301-201820-S
Seat Assy. 22"- ST306-222020-S
31. Arm Pad Bolt On Style- LDR410110
Arm Pad Bolts (pr)- LDR420018
32. Left A/R Assy. Bolt On- LDR410011L
Right A/R Assy. Bolt On- LDR410011R
Armrest Height Knob- LRM410011-12
Armrest Width Knob- LRM410011-11
33. Free Wheel Knob- LRM402354
Free Wheel Lever- LRB402360
34. Splash Shield- LRB402353
35. Motor/Transaxle/Brake Gen 1- LRB402306
Motor/Transaxle/Brake Gen 2- LRB402306-01
Transaxle- LRB402306-03
Motor Gen1- LRB402306-06
Motor Gen2- LRB402306-04
Electromagnetic Brake-LRB402306-05

36. Rear Frame- LRB302300-23
Anti-Tipper Wheel- LRB302311
37. Rear Wheel Assembly- LRB402310
Inner Tube- LRB402309-03
Tire- LRB402309-05
38. Controller 120 Amp Gen 2- LRB302305-01
39. Main Harness
Gen 2 or 3 PC Board, Gen 2 Controller & Motor- LRB402300-24
40. Power Harness Gen 1- LRB402300-28
Power Harness Gen 2 or 3- LRB402300-29
41. Negative Battery Harness- LRB402300-15
Positive Battery Harness- LRB402300-16
42. Battery (2 needed)- LRB402308
Battery Strap (pr)- LRB402300FBS
43. Battery Charger- LRA402210
44. Motor Axle Keyway- 29002W7011
45. Tiller Assembly- LRB402300-01 [2]

[1] Stock is gone use 1 each of LRA402204-03 & LRA402204-03SD.

[2] When stock is gone the part will no longer be available.

01/15/2021