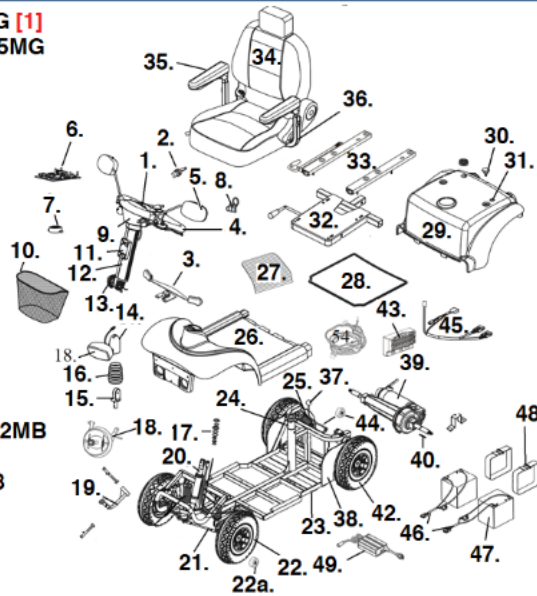


# PROWLER 3410

1. Upper Control Panel Assy.- LRA402203MG [1]  
Upper Control Panel Cover- LRA402203-05MG  
Touch Control Panel- LRA402203-03  
Speed Dial Gen 3- LRA402204-03SD  
Speed Dial Knob- LRA412103-11
2. Key Switch- LRB402323-02  
Key- LRB402323-01
3. Throttle- LRA402202
4. Tiller Assembly- LRB402300-01
5. Mirror Left- LRA402225-01
6. PC Board Gen 1- LRA402204  
PC Board Gen 2 [2]  
PC Board Gen 3- LRA402204-03
7. Horn Gen 1- LRM402200-21
8. Charger Port Gen 1- LRA402210-02  
Charger Port Gen 2 or 3- LRA402210-03
9. Lower Control Panel Cover- LRA402203-12MB
10. Basket- LRA402226
11. Basket Mounting Bracket- LRM412101-08
12. Aluminum Tiller Cover- LRB402357  
Tiller Assembly- LRB402300-01
13. Tiller Adjustment Knob- LRA402201-23
14. Folding Hinge Cover- LRB402356
15. Folding Hinge Lower- LRB402345  
Folding Hinge Upper- LRB402339
16. Tiller Boot- LRB402344
17. Tiller Bearing Set- LRB402348
18. Front Manual Brake Assy. Lt- LRB 402300-26  
Front Manual Brake Assy. Rt- LRB 402300-25  
Brake Steering Bracket- LRB402329-09
19. Control Arm Left- LRB402329-07  
Control Arm Right- LRB402329-08
20. Steering Stem- LRB402300-23
21. Tie Rods (pr)- Lrb402329-06
22. Brake Drum- LRB402358  
Front Wheel Assembly- LRB402309  
Inner Tube- LRB402309-03  
Tire Only- LRB402309-05
- 22a. Front Wheel Bearing- STDS2A5303
23. Rear Frame- LRB302300-23  
Front Frame- LRB402300-11



24. Seat Post- LRC402414-13  
Seat Post Bolt- LRC402414-12
25. Rear Shock Absorber 150#- LRB402329-03
26. Front Shroud- LRB402318 [3]
27. Footrest Pad- LRB402318-01
28. Floor Mat- LRB402322
29. Rear Shroud- LRB402319
30. Shroud Knob- LRB410115-03
31. Circuit Breaker- LRB402307  
Substitute- LRC402307LRB
32. Seat Plate- LRC402414
33. Seat Slides (pr)- LRA402317

34. Seat 20"- ST301-201820  
Seat 22"-ST306-222020 [3]  
Seat Assembly 20"- ST301-201820-S  
Seat Assembly 22"- ST302-222020-S
35. Arm Pad Slide On- LRA402217  
Arm Pad Bolt On- LDR410110  
Arm Pad Bolt (pr)- LDR420018
36. A/R Assy. Left Bolt on- LDR410011L  
A/R Assy. Right Bolt on- LDR410011R  
A/R Height Adj. Knob- LDR410011-12  
A/R Width Adj. Knob- LDR410011-11
37. Free Wheel Knob Gen 1- LRM402356  
Free Wheel Lever- LRB402360
38. Splash Shield- LRB402353
39. Transaxle, Motor, Brake  
Gen 2 or 3- LRB402306-01  
Transaxle LRB402306-03  
Motor Gen 1- LRB402306-06  
Motor Gen 2 or 3- LRB402306-04  
Motor Brush- LRB402306-08  
Electromagnetic brake- LTB402306-05
40. Motor Axle Keyway- 29002W7011
41. Anti-Tipper Wheel- LRB302311
42. Rear Wheel Assembly- LRB402310  
Inner Tube- LRB402309-03  
Tire- LRB402309-05
43. Controller Gen 2 or 3- LRB302305-01
44. Main Wire Harness  
Gen2 or 3 PCB, Gen 2 Controller & Gen 2 M  
LRB402300-24
45. Power Wire Harness- Gen 1- LRB402300-28  
Power Wire Harness- Gen 2 or LRB402300
46. Battery Harness Negative- LRB402300-15  
Battery Harness Positive- LRB402300-16
47. Battery (2 needed)- LRB402308
48. Battery Strap- LRB402300-FBS
49. Battery Charger- LRA402210

[1] Includes key switch & PC board.

[2] Stock is gone replace with part # LRA402204-03 & LRA402204-03SD.

[3] When stock is gone the part is no longer available.

12/08/2

## DIMENSIONAL DIGRAM

Diagrams

Home