



# OXYGEN CATALOG



# OXYGEN CONCENTRATORS

# truAIRE-5 by Roscoe Medical



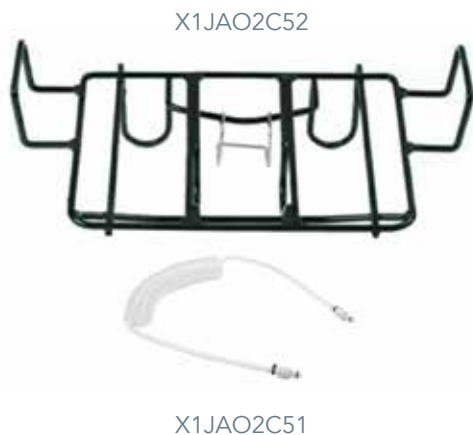
## Stationary 5 Liter Oxygen Concentrator

Introducing the truAIRE-5 by Roscoe Medical, Compass Health Brands' first 5-liter stationary concentrator. The truAIRE-5 is a compact, low maintenance solution with easy, out-of-box set up and ultra-quiet operation. Designed to operate 24/7, the truAIRE-5 is the dependable 5-liter oxygen concentrator choice for your oxygen patients.

### Product Features:

- Compact and easy to transport
- Ultra-quiet operation
- Durable, double-wobble compressor designed for 24/7 use
- Low maintenance
- Easy removal and replacement of cabinet and compressor intake filters
- 5-Year Limited Warranty
- Includes Humidifier Adapter
- Includes Home O2 Filling System Port

### Home O2 Filling System Accessories



### Technical Specifications:

Dimensions:	13"L x 10.25"W x 21.25"H
Weight:	35.5 lbs
Liter Flow:	0.5 -5 LPM
Maximum Outlet Pressure:	5.5 psi $\pm$ 0.7 psi (35 kPa $\pm$ 5 kPa)
Oxygen Concentration:	93% ( $\pm$ 3%) at 0.5~5 LPM after warmup period of 30 minutes
Mode of Operation:	Continuous Flow
Safety System:	Low Pressure Alarm Low Oxygen Concentration Alarm High Pressure/High Temperature Shutdown Current Overload/Line Surge Shutdown
Electrical Requirements:	AC120V / 60 Hz
Rated Current Input:	3.5A
Sound Level:	$\leq$ 50.5 dBA
Warranty:	5 Year Limited Warranty

Item #	Description	Qty
O2C5L	truAIRE-5 Stationary 5 Liter Oxygen Concentrator	each
Home O2 Filling System Accessories		
X1JAO2C51	Home O2 Filling System Tube, Coiled w/ Connectors	each
X1JAO2C52	Home O2 Filling System Rack for truAIRE-5	each

# MICiTECH

## 5 Liter & 10 Liter Stationary Oxygen Concentrators



Introducing the MICiTECH line of quiet, compact and durable stationary oxygen concentrators. Available in both 5 Liter and 10 Liter models, these MICiTECH concentrators are both a low maintenance and an affordable choice for Home Medical Equipment & Hospice Dealers.

### Product Features:

- Compact and easy to transport
- Quiet operation
- Durable double-wobble compressors
- Designed for 24/7 use
- Low maintenance
- Easy removal and replacement of cabinet and compressor intake filters
- 3-Year Limited Warranty

### Technical Specifications:

	Product Name: 5 Liter Oxygen Concentrator	10 Liter Oxygen Concentrator
Dimensions:	16.04"L x 11.81"W x 21.26"H	15.74"L x 11.81"W x 21.26"H
Weight:	32 lbs	44.6 lbs
Liter Flow:	0.5 -5 LPM	0.5 -5 LPM
Flow Rates:	0.5 ~ 5 LPM, increments of 0.5 LPM	1.0 ~ 10 LPM, increments of 1 LPM
Maximum Outlet Pressure:	5.8 ~ 8.7 psi	8.7 ~ 11.6 psi
Oxygen Concentration:	93% (±3%)	93% (±3%)
Mode of Operation:	Continuous Flow	Continuous Flow
Electrical Requirements:	AC110V / 60 Hz	AC110V / 60 Hz
Power Consumption:	390W	700W
Rated Current Input:	3.2A	7.0A
Sound Level:	≤50 dBA	≤55 dBA
Operating Environment:	Temperature: 41° ~ 104°F Humidity: < /= 80% Atmospheric Pressure: 12.47 ~ 15.37 PSI	Temperature: 41° ~ 104°F Humidity: < /= 80% Atmospheric Pressure: 12.47 ~ 15.37 PSI
Shipping/Storage:	Temperature: -4° ~ 131°F Humidity: 93% Atmospheric Pressure: 7.25 ~ 15.37 PSI	Temperature: -4° ~ 131°F Humidity: 93% Atmospheric Pressure: 7.25 ~ 15.37 PSI
Standards:	AAMI ANSI ES60601-1 IEC 60601-1-2 IEC60601-1-8 IEC 60601-1-11 ISO 80601-2-69	AAMI ANSI ES60601-1 IEC 60601-1-2 IEC60601-1-8 IEC 60601-1-11 ISO 80601-2-69
Warranty:	3 Year Limited	3 Year Limited

Item #	Description	Qty
CP502	MICiTECH Stationary 5 Liter Oxygen Concentrator	each
CP101	MICiTECH Stationary 10 Liter Oxygen Concentrator	each



## Medical Gas

Roscoe Medical is helping you give your oxygen patients the active lifestyle they want with our complete inventory of cylinders, conserving devices, regulators and cylinder supplies.



RMI-04ST



RMI-08MINI



RMI-15H

## Regulators and Conserving Devices

### Roscoe Medical Regulator

The Roscoe Medical Click-Style Regulator is constructed with an aluminum body and all brass core, providing patients with the ultimate in portability and safety. The Roscoe Regulator offers HME dealers a reliable, high-quality regulator at an affordable price. Liter flow rates for 0-8 regulators include settings of: 0, .12, 0.5, 1, 1.5, 2, 2.5, 3, 4, 5, 6 and 8. Liter flow rates for 0-15 regulators include settings of: 0, .12, .5, 1, 1.5, 2, 3, 4, 6, 8, 10 and 15. Two year warranty. HCPCS Code: E1353\*

Item #	Flow Rate	Inlet Conn.	Flow Rates	Outlet	Qty
RMI-04ST	1/32 to 4	870	Pediatric, Hose Barb (Liter flow rates include: 1/32, 1/16, 1/8, 1/4, 1/2, 3/4, 1, 1 1/2, 2, 3, 4)	Hose Barb/ DISS 1240	each
RMI-04H	1/32 to 4	540	Pediatric, DISS 1240 (Liter flow rates include: 1/32, 1/16, 1/8, 1/4, 1/2, 3/4, 1, 1 1/2, 2, 3, 4)	Hose Barb/ DISS 1240	each
RMI-08MINI	0 to 8	870	Mini, Hose Barb Liter Flow Rates: 0, .12, 0.5, 1, 1.5, 2, 2.5, 3, 4, 5, 6, and 8	Hose Barb/ DISS 1240	each
RMI-15MINI	0 to 15	870	Mini, Hose Barb Liter Flow Rates: 0, .12, 0.5, 1, 1.5, 2, 2.5, 3, 4, 5, 6, 8, 10 and 15	Hose Barb/ DISS 1240	each
RMI-15H	0 to 15	540	Standard, DISS 1240 Liter Flow Rates: 0, .12, 0.5, 1, 1.5, 2, 2.5, 3, 4, 5, 6, 8, 10 and 15	Hose Barb/ DISS 1240	each

## Roscoe EasyPulse 5 Conserving Device



198705RM

The Roscoe® EasyPulse 5 is a small, lightweight oxygen conserving device, weighing in at just over half a pound. The single dial control and ergonomically designed T-Handle/ Hand Tight Nut make setting and connecting the EasyPulse 5 easy for any patient or caregiver. The EasyPulse 5 has 5 pulse settings and a 2 LPM continuous flow setting. With a conserving ratio of up to 5.7:1, the EasyPulse 5 reduces deliveries of cylinders to patients and its proven pneumatic reliability, robust design and lack of batteries helps to reduce overall operating costs. Two year warranty.

The EasyPulse 5 utilizes *Controlled Minute Volume (CMV) Oxygen Conserving Technology*. The patented CMV Technology delivers a pulse algorithm wave form, superior trigger sensitivity and fast delivery time. All this is accomplished pneumatically with a single lumen cannula.

Item #	Liter Flow	Inlet Conn.	Description	Qty
198705RM	1 to 5	CGA-870	Roscoe® EasyPulse 5 Oxygen Conserving Device	each

## EasyPulse 5 & 5+6 Conserving Devices



198712

The Precision Medical EasyPulse 5+6 has 6 continuous flow settings, to complement the 1-5 pulse settings. Even with the added continuous flow settings, the EasyPulse 5+6 weighs in at a mere 9.9 oz and is only 4.75 inches long, making it still the smallest and lightest conserving regulator available. In the Pulse Mode, the EasyPulse 5+6 delivers a front loaded tapered wave form. All the oxygen is delivered in the first third of the inspiratory phase. With the added security of more continuous flow options, you have the most versatile oxygen conserving device available.

Item #	Liter Flow	Inlet Conn.	Description	Qty
198712	1 to 6	870	Precision Medical EasyPulse 5+6 Oxygen Conserving Device	each
198705	1 to 5	870	Precision Medical EasyPulse 5 Oxygen Conserving Device	each



## Private Labeling?

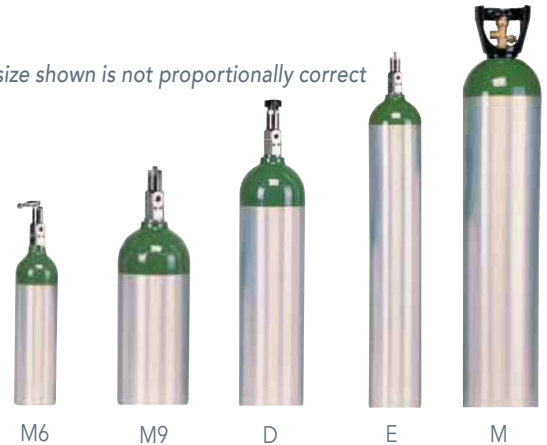
Private labeling options are available for cylinder orders with a choice of stamping or silk screen. Pallet minimums are required. For further details, call your Compass Sales Representative at 1-800-3-ROSCOE (376-7263).

## Cylinders

Compass Health offers empty aluminum oxygen cylinders in standard sizes. You can order units in packs of six or in competitively priced pallet quantities.

- All cylinders are available in both CGA-870 wrench and toggle valves (excluding the CGA-540 configured sizes)
- Cylinder finish is easy to clean and maintain
- Private labeling options available

Note: Cylinder size shown is not proportionally correct



Cylinder Size	Item #	Dimensions	Oxygen Capacity (Liters)	Valve	Valve Type	Qty
ML6	PX-8705-1T	4 1/2" x 8"	170 Liters	870	Toggle	6/pack
ML6	PX-8705-1TB	4 1/2" x 8"	170 Liters	870	Toggle	81/pallet
ML6	PX-8705-1W	4 1/2" x 8"	170 Liters	870	Wrench	6/pack
ML6	PX-8705-1WB	4 1/2" x 8"	170 Liters	870	Wrench	81/pallet
M6	PX-8700-1T	11 3/4" x 3"	164 Liters	870	Toggle	6/pack
M6	PX-8700-1TB	11 3/4" x 3"	164 Liters	870	Toggle	144/pallet
M6	PX-8700-1W	11 3/4" x 3"	164 Liters	870	Wrench	6/pallet
M6	PX-8700-1WB	11 3/4" x 3"	164 Liters	870	Wrench	144/pallet
M9	PX-8701-1T	10 1/2" x 4 1/2"	246 Liters	870	Toggle	6/pack
M9	PX-8701-1TB	10 1/2" x 4 1/2"	246 Liters	870	Toggle	81/pallet
M9	PX-8701-1W	10 1/2" x 4 1/2"	246 Liters	870	Wrench	6/pack
M9	PX-8701-1WB	10 1/2" x 4 1/2"	246 Liters	870	Wrench	81/pallet
D	PX-8702-1T	16" x 4 1/2"	425 Liters	870	Toggle	6/pack
D	PX-8702-1TB	16" x 4 1/2"	425 Liters	870	Toggle	81/pallet
D	PX-8702-1W	16" x 4 1/2"	425 Liters	870	Wrench	6/pack
D	PX-8702-1WB	16" x 4 1/2"	425 Liters	870	Wrench	81/pallet
E	PX-8703-1T	25" x 4 1/2"	679 Liters	870	Toggle	6/pack
E	PX-8703-1TB	25" x 4 1/2"	679 Liters	870	Toggle	81/pallet
E	PX-8703-1W	25" x 4 1/2"	679 Liters	870	Wrench	6/pack
E	PX-8703-1WB	25" x 4 1/2"	679 Liters	870	Wrench	81/pallet
M60	PX-5405-1B	23" x 7.3"	1738 Liters	540	Spigot	25/pallet
M90	PX-5407-1B	32.7" x 7.25"	2,549 Liters	540	Spigot	25/pallet
M	PX-5406-1B	36" x 8"	3455 Liters	540	Spigot	25/pallet



## Medical Gas Home Filling Cylinders

Compass Health offers empty aluminum oxygen cylinders with Home Filling Units in four sizes packaged to meet your requirements. Available in single pack or 6 pack quantities.

- CGA-870 toggle valve available
- Brushed aluminum with clear coat finish
- Ships empty
- For use with Home Filling units
- Free freight on 6 packs for orders shipped within the Continental United States only

Item #	Description	UOM	Qty
HFML6-EA	HomeFill-Style ML6 Cylinder with Toggle Valve and Transfill Port	Each	1
HFC-EA	HomeFill-Style M9/C Cylinder with Toggle Valve and Transfill Port	Each	1
HFD-EA	HomeFill-Style D Cylinder with Toggle Valve and Transfill Port	Each	1
HFE-EA	HomeFill-Style E Cylinder with Toggle Valve and Transfill Port	Each	1

## Roscoe Adjustable Oxygen Carts

Roscoe Adjustable Oxygen Carts are constructed of durable, high-strength steel and can accommodate either "D" or "E" size cylinders. Handle is height adjustable to accommodate most individuals. Large, easy-roll wheels allow for safe maneuvering. Includes gurney/mask hook, nonslip hand grip and one piece thumb screw. Available in silver vein finish or with chrome plating. Limited lifetime warranty. HCPCS Code: E1355\*



E-CARTPC



E2-CARTPC



E-FOOTPK



E-SCREW10

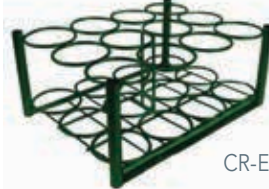
Item #	Description	Height Adjustable	Cylinder Capacity	Weight	Qty
E-CARTPC	D or E Cylinder Cart, Silver Vein Finish	38 ½" - 42 ½"	1	5 lb.	4/cs
E2-CARTPC	D or E Cylinder Cart, Silver Vein Finish	38 ½" - 42 ½"	2	9 lb.	2/cs
E-FOOTPK	Rubber Feet for E-CART, E-CARTPC, E2-CARTPC				2/pk
E-SCREW10	Thumb Screw for E-CART				10/pk

## Medium-Duty Cylinder Racks and Stands

Compass Health's Cylinder Racks and Stands feature an all-welded frame construction to ensure durability and strength. Individual spacing, positive cylinder placement and weight distribution promote safe storage. Equipped with bolt down bars and feet, our stands are available in a green powder-coated finish.



CR-M6PC6



CR-EPC12

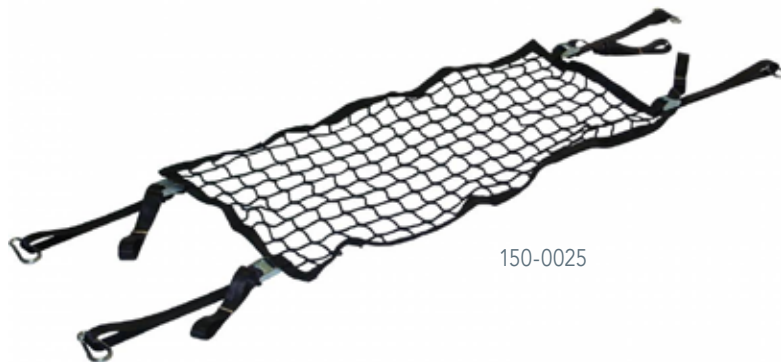


CR-MST2

Cylinder Size	Item #	Description	Cylinder Capacity	Rows	Dimensions (H x D x W, in.)	Weight	Qty
M6	CR-M6PC6	M6 Cylinder Rack, with Bolt Down Bars, Green Powder-Coat	6	2 x 3	13 x 8 ½ x 9 ½	5 lb.	each
M6	CR-M6PC12	M6 Cylinder Rack, with Bolt Down Bars, Green Powder-Coat	12	3 x 4	17 ¾ x 13 x 9 ¾	9 lb.	each
C/D/E	CR-EPC6	C/D/E Cylinder Rack, with Bolt Down Bars, Green Powder-Coat	6	2 x 3	16 ½ x 11 x 9 ¾	8 lb.	each
C/D/E	CR-EPC12	C/D/E Cylinder Rack, Bolt Down Bars, Green Powder-Coat	12	3 x 4	21 ¾ x 17 ¾ x 10 ¼	14 lb.	each
M60/ M90,MM	CR-MST2	M60, M90 and MM Cylinder Stand, Green Powder-Coat	1	n/a	14 ½ x 13 ¾ x 11 ¼	5 lb.	2/cs
D/E	150-0110	D/E Wheelchair Cylinder Carrier	1	n/a			4/cs
C/D/E	150-0265	Composite Cylinder Rack	8	4 x 2			each
M6	150-0275	Composite Cylinder Rack	12	4 x 3			each

## Cylinder Rack Parts and Accessories

Item #	Description	Qty
90014	Replacement Bolt for Roscoe CR-MST Cylinder Stand	each
150-0025	Vehicle Cylinder Restraint - Medium	each
X1JQMST01	Replacement Hand Nut for CR-MST	each



150-0025

## Heavy-Duty Cylinder Racks and Stands

These cylinder stands have been designed for use where there is a need for multiple cylinder storage and mobility is not a factor. The all-welded steel construction, combined with the tubular frame ensures greater durability, strength and longer life of the unit. Models 6060-LTL, 6120-LTL and 6240-LTL have a hinged lockable top to help prevent theft, misuse or mixing of D or E cylinders while in storage. Powder-coated finish.



150-0330



150-0320



150-0270



150-0290



150-0300



150-0250



CR-MST2

Cylinder Size	Item #	Description	Cylinder Capacity	Rows	Dimensions (H x D x W, in.)	Weight	Qty
M6	150-0330	M6 Cylinder Rack, with Bolt Down Bars, Green	15	3 x 4	19 ½ x 12 x 18	16 lb.	each
M6	150-0320	M6 Cylinder Rack, with Bolt Down Bars, Green	30	5 x 6	16 x 23 x 19	30 lb.	each
C/D/E	150-0270	C/D/E Cylinder Rack, with Bolt Down Bars, Green	12	3 x 4	19 ½ x 15 x 22	19 lb.	each
C/D/E	150-0290	C/D/E Cylinder Rack, with Bolt Down Bars, Green	24	4 x 6	19 ½ x 20 x 32	34 lb.	each
C/D/E	150-0300	C/D/E Cylinder Rack, with Bolt Down Bars, Green	40	5 x 8	20 x 40 x 25	40 lb.	each
M60/M/H	150-0250	M60/M/H Cylinder Stand, Black	1	n/a	11 x 18 ¼ x 19	16 lb.	each
M60/ M90,MM	CR-MST2	M60, M90 and MM Cylinder Stand, Green Powder-Coat	1	n/a	14 ½ x 13 ¾ x 11 ¼	5 lb.	2/cs
D/E	150-153	Horizontal Layered Rack	25	n/a	11 x 18 ¼ x 19	16 lb.	each
D/E	150-0153-DOT	Horizontal Layered Rack with Door	25	n/a	11 x 18 ¼ x 19	16 lb.	each

## Multiple Wheeled Cylinder Carts

Warehouse and Delivery Carts designed to withstand everyday use in high volume transport facilities. Equipped to transport a variety of cylinder sizes. Powder-coated finish.



150-0350



150-0140



150-0175



150-0235



150-0150



150-0158

Cylinder Size	Item #	Description	Cylinder Capacity	Rows	Weight	Qty
M4/M6/B	150-0350	Four 4" x 1 1/2" Casters (2 locking swivel, 2 rigid)	30	5 x 6	35 lb.	each
C/D/E	150-0140	Warehouse Cart with Four Caster Wheels	6	2 x 3		each
C/D/E	150-0170	Warehouse Cart with Four Caster Wheels	12	4 x 3		each
C/D/E	150-0175	Warehouse Cart with Two Caster Wheels and Two 10" Wheels	12	4 x 3		each
C/D/E	150-210	Warehouse Cart with Four Caster Wheels	24	6 x 4		each
C/D/E	150-0220	Warehouse Cart with Four Caster Wheels	28	7 x 4		each
MM/H	150-0235	Single Large Cylinder Transport Cart with Stair Slide	1	N/A		each
D/E	150-0150	Multi-Cylinder Delivery Cart, Horizontally Layered	68			each
D/E	150-0150-DOT	Multi-Cylinder Delivery Cart with Door & Top	68			each
D/E	150-0152	Horizontal Layered Cart	25			each
D/E	150-0152-DOT	Horizontal Layered Cart with Door	25			each
M6		Layered Cylinder Cart	84			each
C/D/E	150-0158	Vertical Transport Cart	40			each

# Medical Gas Accessories



1109-0014



ET-CW



2544-2



40150



SMK-SGN



1109-0005



150-2005PK10

Item #	Description	Qty
Cylinder Accessories		
ET-CW	Cylinder wrench for wrench valve	25/pk
2544-2	Regulator yoke washer with rubber ring	25/pk
40150	"EMPTY / IN USE / FULL" medical post valve tag	each
SMK-SGN	"No Smoking, Oxygen in Use" sign, non-adhesive, printed in red	100/pk
1109-0005	Cylinder labels (OXYGEN USP, UN1072), blank individual sheets,	each
Gauges		
1109-0014	Wet Band Post Valve Seals	1000/bucket
MPV-4046	Replacement Toggle and Pin	each
180-5005	Liter Meter, 1-8 LPM Pen-Style	each
180-5006	Liter Meter, 2-15 LPM Pen-Style	each
150-2005PK10	Disposable M6 Cylinder Tote, Holds 6	10/pk

# CYLINDER BAGS



37



31



24N



48N

Brand	Item #	Description	Qty
<b>Zephyr Deluxe Black</b>			
Zephyr	35	M6 Shoulder Bag	each
Zephyr	39	M7 Cylinder Shoulder Bag	each
Zephyr	33	C Cylinder Shoulder Bag	each
Zephyr	31	D Cylinder Shoulder Bag	each
Zephyr	29	M6/C M9 Cylinder Backpack	each
<b>Airlift Premium Navy</b>			
Airlift	44N	D/E Carrier For Wheelchair	each
Airlift	46N	Fanny Pack/Shoulder Bag For M6, M9/C	each
Airlift	48N	Fanny Pack/Shoulder Bag For ML6, M7	each
Airlift	49N	Camera Style Horizontal Shoulder	each
Airlift	24N	M6, M9/C Backpack/Shoulder	each
Airlift	26N	D Cylinder Backpack/Shoulder	each





## Oxygen Supply

Roscoe Medical's oxygen delivery products are designed with the highest quality materials for a comfortable patient fit, but at a lower price range than comparable product lines. Roscoe's Soft Nasal Cannulas feature an over-the-ear design that provide a high level of stability and patient comfort. From cannulas, tubing, humidifiers and more, Roscoe Oxygen Supply Products will satisfy all your patient needs.

### Nasal Cannulas

#### Roscoe Medical Nasal Cannulas

Roscoe Medical Nasal Cannulas are comfortable and economical. Made of extra-soft disposable materials that are not made with natural latex rubber, Roscoe Cannulas are crush resistant and fit comfortably over the ears.



CAN-ROS7

Item #	Description	Qty
CAN-PEDROS	Roscoe Pediatric Curved Soft Nasal Cannula with 7' Crush-Resistant Tubing	50/cs
CAN-ROS	Roscoe Adult Curved Soft Nasal Cannula without Supply Tubing	50/cs
CAN-ROS4	Roscoe Adult Curved Soft Nasal Cannula with 4' Crush-Resistant Tubing	50/cs
CAN-ROS7	Roscoe Adult Curved Soft Nasal Cannula with 7' Crush-Resistant Tubing	50/cs
CAN-ROS25	Roscoe Adult Curved Soft Nasal Cannula with 25' Crush-Resistant Tubing	25/cs

#### Salter Nasal Cannulas

Salter's nasal cannulas feature a unique design that is anatomically curved to fit the upper lip with curved, tapered nasal prongs. It eliminates the flap or ridge which can cause irritation. Over-the-ear style ensures secure positioning, allowing complete freedom of movement. Demand cannula design provides separate independent tubes for oxygen delivery and sensing inspiratory effort.



1600



1615

Item #	Description	Qty
1600	Adult Cannula with 7' Three-Channel Safety Supply Tubing	50/cs
1600-4	Adult Cannula with 4' Three-Channel Safety Supply Tubing	50/cs
1600-14	Salter Cannula with 14' 3-Channel Supply Tubing	50/cs
1600-25	Adult Cannula with 25' Three-Channel Safety Supply Tubing	25/cs
1600HF-4-25	Salter High Flow Cannula with 4' 3-Channel Supply Tubing	25/cs
1600HF-7-25	Adult High Flow Cannula with 7' Three-Channel Safety Supply Tubing	25/cs
1600HF-50	Salter High Flow Cannula with 50' 3-Channel Supply Tubing	10/cs
16SOFT-1-50	Salter Soft Cannula with 1' 3-Channel Tubing	50/cs
16SOFT-4-50	Salter Soft Cannula with 4' 3-Channel Supply Tubing	50/cs
16SOFT-7-50	Salter Soft Cannula with 7' 3-Channel Supply Tubing	50/cs
16SOFT-25-25	Salter Soft Cannula with 25' 3-Channel Supply Tubing	25/cs

## Salter Nasal Cannulas (Cont'd)

Item #	Description	Qty
1600HF-25	Salter High Flow Cannula with 25' 3-Channel Supply Tubing	10/cs
1600-1-50	Salter Cannula with 1' 3-Channel Supply Tubing	50/cs
1600Q	Salter Quiet Cannula with 7' 3-Channel Supply Tubing	50/cs
1600TLC	Salter TLC Cannula with Foam Cushions and 7' 3-Channel Supply Tubing	25/cs
1600TLC-1-25	Salter TLC Cannula with Foam Cushions and 1' 3-Channel Supply Tubing	25/cs
1601	Salter Infant Cannula with 1' 3-Channel Tubing	50/cs
1615	Intermediate Infant Cannula with 7' Three-Channel Safety Supply Tubing (For Child 3-12 Months Of Age)	50/cs
1616	Adult "Micro" (Low-Flow) Cannula with 7' Three-Channel Safety Supply Tubing	50/cs
1616-4	Salter Micro Low-Flow Cannula with 4' 3-Channel Supply Tubing	50/cs
1616-TLC	Salter Micro TLC Cannula with Foam Cushions and 7' 3-Channel Supply Tubing	25/cs
4824-10	Salter Pediatric Cannula with 7' 3-Channel Supply Tubing	10/cs
4804	Adult Demand Cannula with 4' Supply Tubing	25/cs
4807	Adult Demand Cannula with 7' Supply Tubing	25/cs

## Oxygen Masks

Roscoe Medical's Oxygen Mask is designed for patient comfort with a soft, anatomical shape. Barbed fittings help prevent patient from disconnecting the mask while elastic straps and adjustable aluminum nose clips secure it for a better fit. Standard with crush resistant safety tubing. Latex-free. HCPCS Code: A7015\*.



O2MASK-ADULT



8150



0101

Item #	Description	Qty
O2MASK-ADULT	Roscoe Adult Medium-Concentration Oxygen Mask with 7' crush-resistant tubing	50/cs
8110	Salter Adult Medium-Concentration Oxygen Mask with 7' three channel supply tubing	50/cs
8150-7-50	Salter Percent O2 Lock Venturi Mask with 7' 3-Channel Supply Tubing	50/cs
1122	Salter Pediatric Oxygen Mask with 7' 3-Channel Supply Tubing	50/cs
8115-0-50	Salter Medium Concentration Oxygen Mask without Supply Tubing	50/cs

## Oxygen Supply Tubing

### Roscoe Medical Oxygen Supply Tubing (Crush-Resistant)

Roscoe Medical's Oxygen Supply Tubing has a three-channel inner lumen design providing uninterrupted flow of oxygen that provides maximum safety for the patient. When uncoiled, tubing lies out straight, minimizing "torque" or pull on the cannula. Our tubing, made without natural rubber latex is available in clear or a distinctive green tint color providing greater visual contrast for improved safety. Universal connectors at each end come standard. Available in a variety of lengths.



TUB-ROS7

Item #	Description	Qty
TUB-ROS7	Three-Channel Crush-Resistant Oxygen Tubing, 7'	50/cs
TUB-ROS25	Three-Channel Crush-Resistant Oxygen Tubing, 25'	25/cs
TUB-ROS50	Three-Channel Crush-Resistant Oxygen Tubing, 50'	20/cs
TUB-ROS25G	Three-Channel Crush-Resistant Oxygen Tubing, 25', Green	25/cs
TUB-ROS50G	Three-Channel Crush-Resistant Oxygen Tubing, 50', Green	20/cs

### Salter Oxygen Tubing

Salter's Three-Channel Safety Supply Tubing has three inside channels that help prevent the tubing from becoming occluded. Once uncoiled, the tubing remains straight to avoid pull on cannula.



2050

Item #	Description	Qty
2014	Three-Channel Safety Tubing, 14'	50/cs
2014G	Three-Channel Safety Tubing, 14', Green	50/cs
2025	Three-Channel Safety Tubing, 25'	25/cs
2025G	Three-Channel Safety Tubing, 25', Green	25/cs
2050	Three-Channel Safety Tubing, 50'	20/cs
2050G	Three-Channel Safety Tubing, 50', Green	20/cs
2001-1-50	Salter 1' 3-Channel Supply Tubing, Clear	50/cs
2002	Salter 7' 3-Channel Supply Tubing, Clear	50/cs
2002G	Salter 7' 3-Channel Supply Tubing, Green	50/cs

## Humidifier Adapter Tubes



SHAK-I

Item #	Description	Qty
SHAK-I	Humidifier Adapter with Male Trumpet Thread Grip, 9"	50/cs
9996-1	Humidifier Adapter Tubing with Trumpet / Male Thread Grip, 12"	25/cs
SO-676	Humidifier Adapter Tubing with Trumpet / Male Thread Grip, 15"	50/cs
SO1790	Humidifier Adapter Tubing with Trumpet / Male Thread Grip, 21"	50/cs

## Oxygen Supply Accessories



1220-0-100  
SWVL-ROS



1215



WTR-ROS



SH75-50



1016



1109-2221

Item #	Description	Qty
SWVL-ROS	Roscoe Medical 360° Rotating Tubing Swivel Connector	50/cs
WTR-ROS	Roscoe Medical In-Line Water Condensation Trap, Clear	50/cs
1016	Salter E-Z Wraps™ Over-The-Ear Foam Tube Cushions, Charcoal, One Pair	50/cs
1220-0-100	Salter Tubing Swivel Connector	100/cs
SH75-50	Christmas Tree Adapter, Tapered And Ribbed, Allows for Secure Tubing Connection	50/pk
1109-2221	Oxysafe Bidirectional Kit	100/cs
1109-2014	2 Inch Connector Tubing for use with Bidirectional Oxysafe	100/cs
1005	Salter Tender Grip Fixation System	25/cs
7001-25	Salter Inline Water Trap with Threaded End Caps	25/cs
CE1000	Cann-Ease Nasal Moisturizer	each
1225	Salter Swivel Connector with Male/Female Ends	25/cs
1215	Salter Twist & Pull Oxygen Tubing Connector	50/cs

## Oxygen Supply Accessories (Cont'd)



SH74



SH749

Item #	Description	Qty
Q51462	Barbed Oxygen Connector	25/pk
SH74	Christmas Tree Adapter, Non-Swivel	50/pk
SH75-50	Christmas Tree Adapter, Swivel	50/pk
SH749	Oxygen Y Connector, Barbed	each

## Humidifiers



HUM-ROS6



7900-0-25

Item #	Description	Qty
HUM-ROS6	Roscoe Medical Empty Humidifier with 6 Psi Pop-Off Alarm, 350cc,	50/cs
7600	Salter Empty Humidifier with 6 Psi Pop-Off Alarm, 350cc,	50/cs
7100	Salter Empty Humidifier with 3 - 5 Psi Pop-Off Alarm, 350cc,	50/cs
7900-0-25	Salter Empty High Flow Humidifier, 6-15 Lpm with Pop-Off Alarm, 350cc,	25/cs

## Custom Oxygen Set-Up Kits

All Roscoe branded items as well as a myriad of Salter branded oxygen disposables are available at Compass Health to be combined into Private Labeled Oxygen Set-Up Kits personalized with your company Logo printed on the bag!



O2 Starter Kit Sample



O2 Disposable Kit Contents

## Cabinet Filters



CF-1011



CF-1029



CF-1030



CF-1034



CF-1037

Item #	Description	Qty
CF-1000	Cabinet Filter, Roscoe truAIRE-5	20/pk
CF-1011	Cabinet Filter, Invacare MobilAire 5LA, 5LX, 501 and HomeFill	20/pk
CF-1029	Cabinet Filter, DeVilbiss 505 Series	20/pk
CF-1030	Cabinet Filter, Respiroics Millennium	20/pk
CF-1033	Cabinet Filter, Airsep NewLife/Elite	20/pk
CF-1034	Cabinet Filter, Invacare Platinum	20/pk
CF-1037	Cabinet Filter, Invacare PerfectO2	20/pk
X1MMCP505	Cabinet Filter, MICiTECH CP502 & CP101	20/pk

## Intake and Final Bacteria Filters



CIF-DEVOEL



CIF-DEVOMF



CIF-EVRFLO



CIF-IRO



IBF-RE



CIF-1127



ILB-316



ILB-516S

Item #	Description	Qty
CIF-O2C5L	Intake Filter, Roscoe truAIRE-5, Rhythm Medical, Direct Supply Concentrators	each
CIF-DEVOEL	Intake Filter, DeVilbiss Extended Life (compare to MC44D-605)	each
CIF-DEVOMF	Intake Filter with Silencer, DeVilbiss Extended Life (compare to 515DZ-605)	each
CIF-EVRFLO	Intake Filter, Respiroics EverFlo (compare to 1038831)	each
CIF-IRO	Intake Filter, Invacare Concentrators (compare to 1108078)	each
X1MMCP504	Intake Filter for MICiTECH 502 & 101 Concentrators	each
IBF-RE	Intake Filter, Respiroics Millennium (compare to H620)	each
ILB-316	Final Bacteria Filter, 3/16" Straight Barb	each
ILB-516S	Final Bacteria Filter, 5/16" Straight Barb	each

## Pulse Oximeters

### Roscoe OTC Fingertip Pulse Oximeter

The Roscoe OTC Fingertip Pulse Oximeter allows you to monitor and maintain pulse and oxygen saturation levels on-the-go. Accurate and fast oxygen level and heart rate measuring technology is ideal for sports enthusiasts during strenuous activities or mountain climbing. Recommended for spot-check monitoring only. No prescription required.



Item #	Description	Qty
POX-ROS	Roscoe OTC Fingertip Pulse Oximeter with Lanyard	each

## Analyzers and Sensors



### Salter Analyzers

The Salter Labs Pro2 Check Elite oxygen analyzer will allow you to quickly and easily obtain an accurate measurement of the oxygen purity, Liter Flow and Pressure of stationary and portable oxygen devices. Its ultrasonic technology gives you the accuracy you need without the additional maintenance costs or requiring replacement sensors. It is calibrated out of the box, and is not affected by changing temperatures or altitudes. The Pro2 Check Elite analyzer is equipped with a 5-minute automatic shut-off function to preserve battery life. It includes a carrying case and runs off of a single 9-Volt battery.

Item #	Description	Qty
PRO-2 ELITE-1	Salter PRO2 Check Elite Multifunction Oxygen Analyzer	each

### Equipment Bags and Tags



BAG-15924



BAG-251530R



BAG-5045R



BAG-SETUP



90371

Item #	Description	Qty
BAG-1015	General Purpose Equipment Bag, 10"X15" (1 Mil)	1000/cs
BAG-15924	Nebulizer/Suction Bag, 15"X 9"X24" (1 Mil)	500/cs
BAG-211330R	Concentrator Bag, 21"X13"X30" (1 Mil)	500/rl
BAG-2430R	Equipment Cover, 24"X30" (1.5 Mil)	500/rl
BAG-251530R	Concentrator Bag, 25"X15"30" (1.5 Mil)	250/rl
BAG-2636R	Equipment Cover, 26"X36" (1.5 Mil)	250/rl
BAG-302035R	Wheelchair/Walker/Commode Bag, 30"X20"X35" (1.5 Mil)	200/rl
BAG-3042R	Equipment Cover, 30"X42" (1.5 Mil)	250/rl
BAG-5045R	Wheelchair Bag, 50"X45" (1 Mil)	250/rl
BAG-SETUP	Patient Set-Up Bag with 4" Gusset Drawstring, 16"X12"	500/cs
90365	Equipment Tag, Dirty (Red)	500/cs
90367	Equipment Tag, Clean (Green)	500/cs
90369	Equipment Tag, Repair (Yellow)	500/cs
90371	Multipack Equipment Tags, 250 each of Clean, Dirty and Repair	750/cs



6753 Engle Road • Middleburg Hts., OH 44130 Toll Free: (800) 376-7263 • Fax: 440-572-4261

[www.compasshealthbrands.com](http://www.compasshealthbrands.com)

rev\_04\_2025