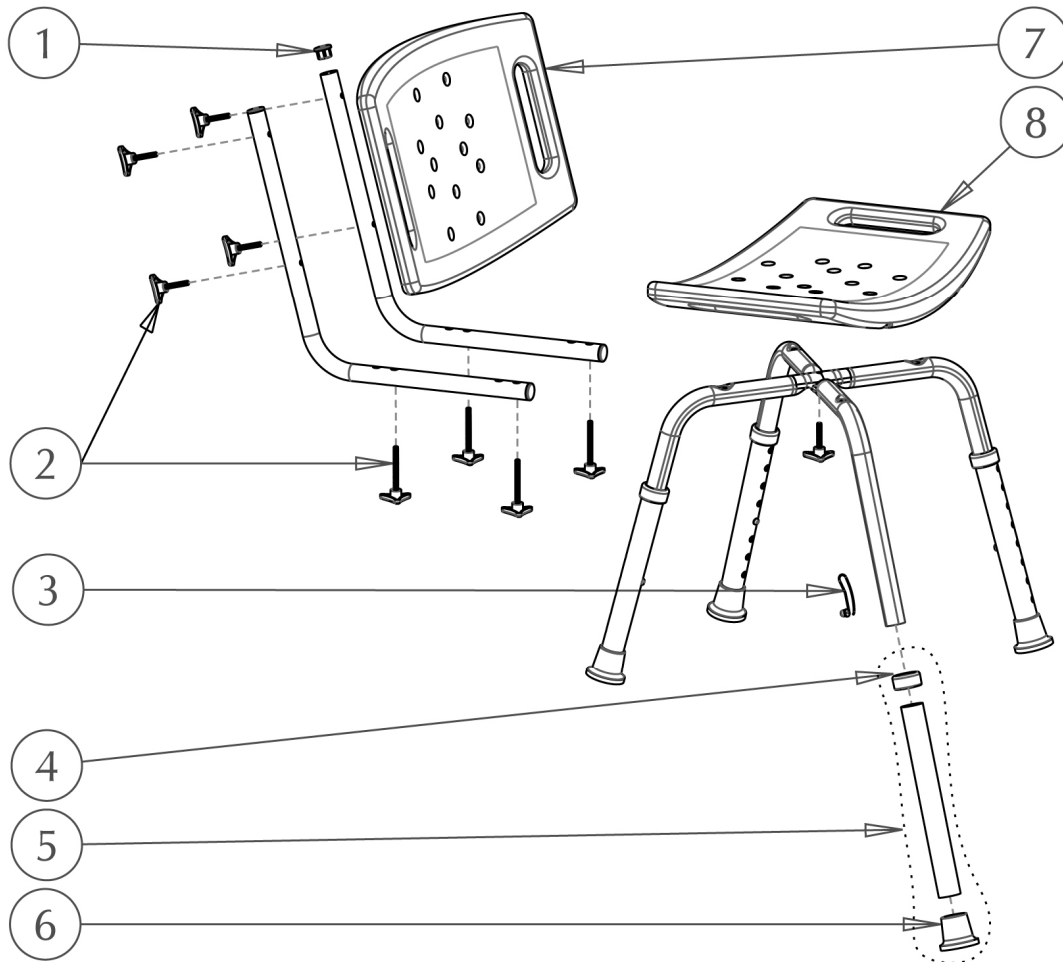


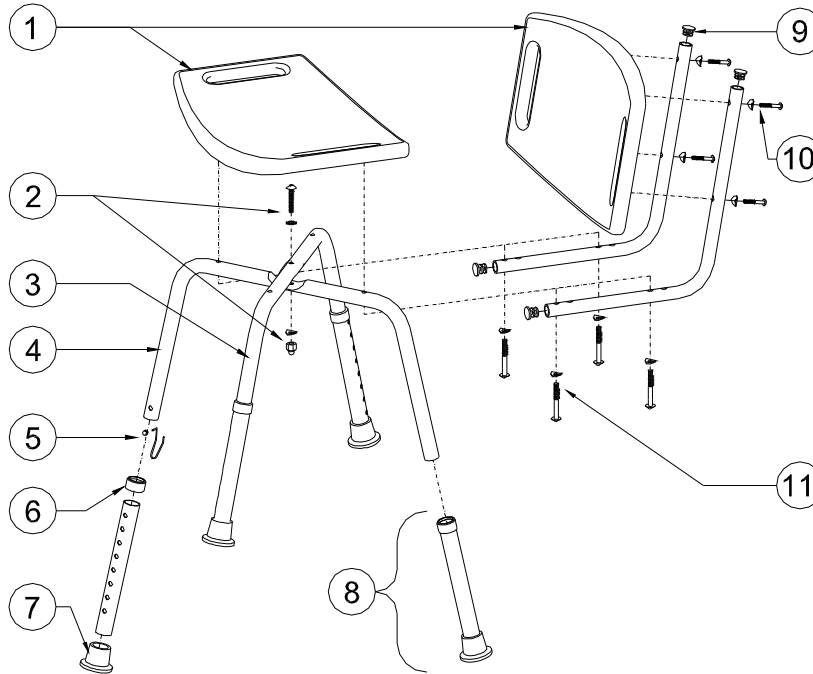
## 770-510 AquaSense Adjustable Bath Seat with Back, white



Item #	AMG Part #	Item Description	Qty Per Unit	Sold by	UOM
1.	<b>A11-455</b>	Plastic Plug for dia:22.2mm, Grey - 4ea / set	1	1	ST
2.	<b>B11-832</b>	Hardware Set, Aqua-Blue (5 Triangular Knobs M6x34mm & 4 Triangular Knobs M6x57mm)	1	1	ST
3.	<b>B11-811</b>	Push Button (8mm diameter) & Spring - 4ea / set	1	1	ST
4.	<b>A11-212</b>	Anti-Rattle for dia:28.6mm, Aqua-Blue - 4ea / set	1	1	ST
5.	<b>B11-012</b>	Extension Leg, Aqua-Blue (Aluminum Tube dia:28.6x250mm, Anti-Rattle & Rubber Tip) - 4ea / set	1	1	ST
6.	<b>A11-482</b>	Rubber Tip for dia:28.6mm, Aqua-Blue - 4ea / set	1	1	ST
7.	<b>A11-420</b>	Backrest, Blow-Molded Plastic, White (505x305x35mm)	1	1	EA
8.	<b>A11-401</b>	Seat, Blow-Molded Plastic, White (505x305x35mm)	1	1	EA
Not Shown	<b>B11-852</b>	Hardware Set for Bath Bench with Back (5 Cross-Cup Screws M6x34mm, 4 Cross-Cup Screws M6x59mm, 9 Curved Washers) - <b>Accessory</b>	1	1	ST

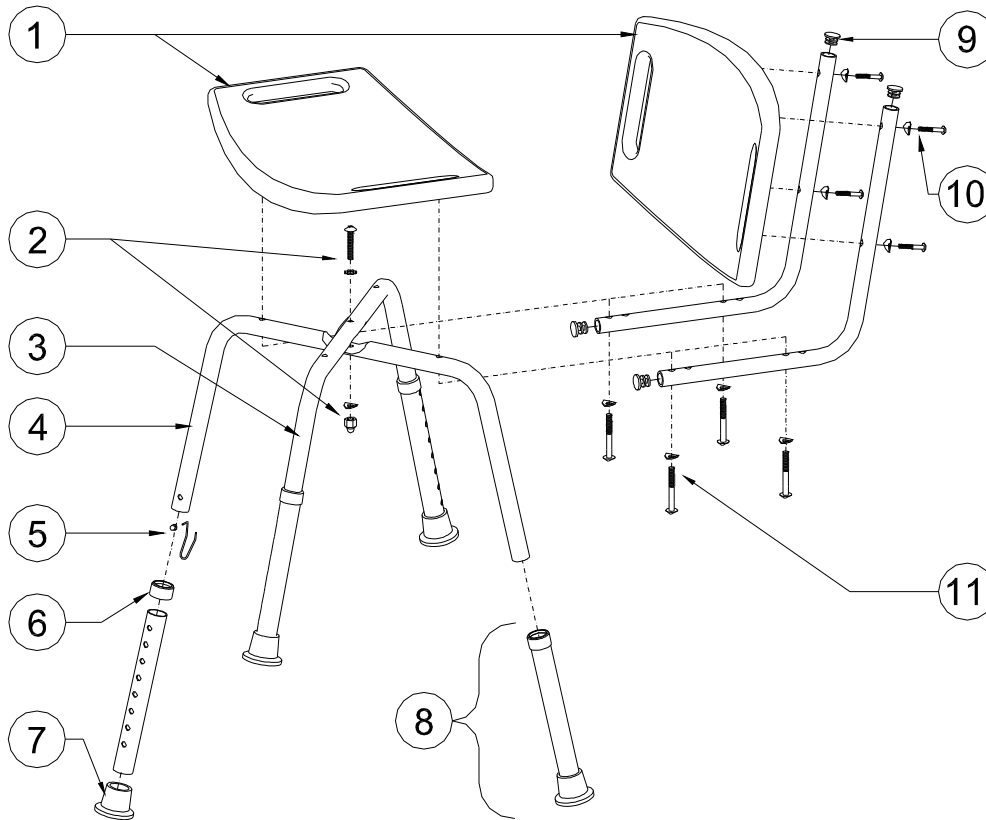
## 770-510K / 770-510 / 770-511 ADJUSTABLE BATH BENCH WITH BACK

770-510K : Not Assembled, Packed Bulk (6 ea / cs)  
 770-510 : Not Assembled, Packed in Retail Box (2 bx / cs)  
 770-511 : Assembled, Packed 2 ea / cs



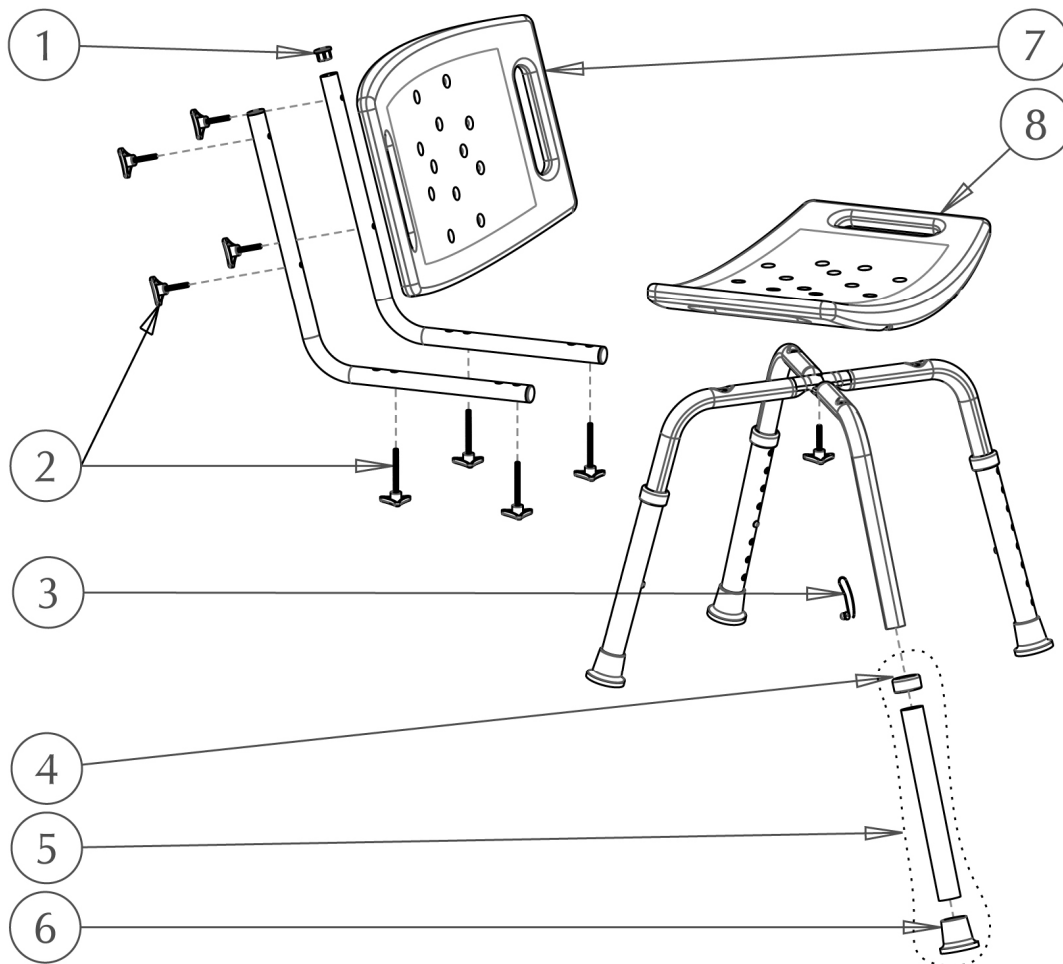
Item #	AMG Part #	Item Description	Qty Per Unit	Sold by	UOM
1.	<b>A03-452</b>	Seat / Backrest, Blow-Molded Plastic, White (505x305x35mm)	1	1	EA
2.	<b>B03-815</b>	Hardware for Legs (Bolt M6x37mm, Tooth-Lock Washer, S.Steel Curved Washer & Nut)	1	1	ST
3.	<b>B03-011</b>	Top Leg (Aluminum Tube $\phi$ 25.4mm & 2 Push-Buttons with 2 Springs)	1	1	EA
4.	<b>B03-012</b>	Bottom Leg (Aluminum Tube $\phi$ 25.4mm & 2 Push-Buttons with 2 Springs)	1	1	EA
5.	<b>B03-811</b>	Push Button & Spring	4	1	ST
6.	<b>A03-210</b>	Anti-Rattle for Extension Leg, Grey	4	1	EA
	<b>A03-212</b>	Anti-Rattle for Extension Leg, Blue	4	1	EA
7.	<b>A03-432</b>	Rubber Tip, Grey	4	1	EA
	<b>A03-433</b>	Rubber Tip, Blue	4	1	EA
8.	<b>B03-010</b>	Leg Extension Assy, Grey Anti-Rattle & Rubber Tip (Aluminum Tube $\phi$ 28.6)	4	1	EA
	<b>B03-009</b>	Leg Extension Assy, Blue Anti-Rattle & Rubber Tip (Aluminum Tube $\phi$ 28.6)	4	1	EA
9.	<b>A03-405</b>	Plastic Plug	4	1	EA
10.	<b>B03-816</b>	Hardware for 770-510 Back (Screw 1/4"x38mm & S.Steel Curved Washer)	4	1	ST
11.	<b>B03-817</b>	Hardware for 770-510 Seat (S.Steel Screw 1/4" x 57mm & S.Steel Curved Washer)	4	1	ST
Not Shown	<b>B03-822</b>	Hardware Set for 770-510 (Bolt M6x37 & Nut, 4 S.Steel Screw 1/4" x 37mm, 4 S.Steel Screw 1/4" x 57mm 9 S.Steel Curved Washer & Tooth-Lock Washer)	1	1	ST

## 770-511 ADJUSTABLE BATH BENCH WITH BACK



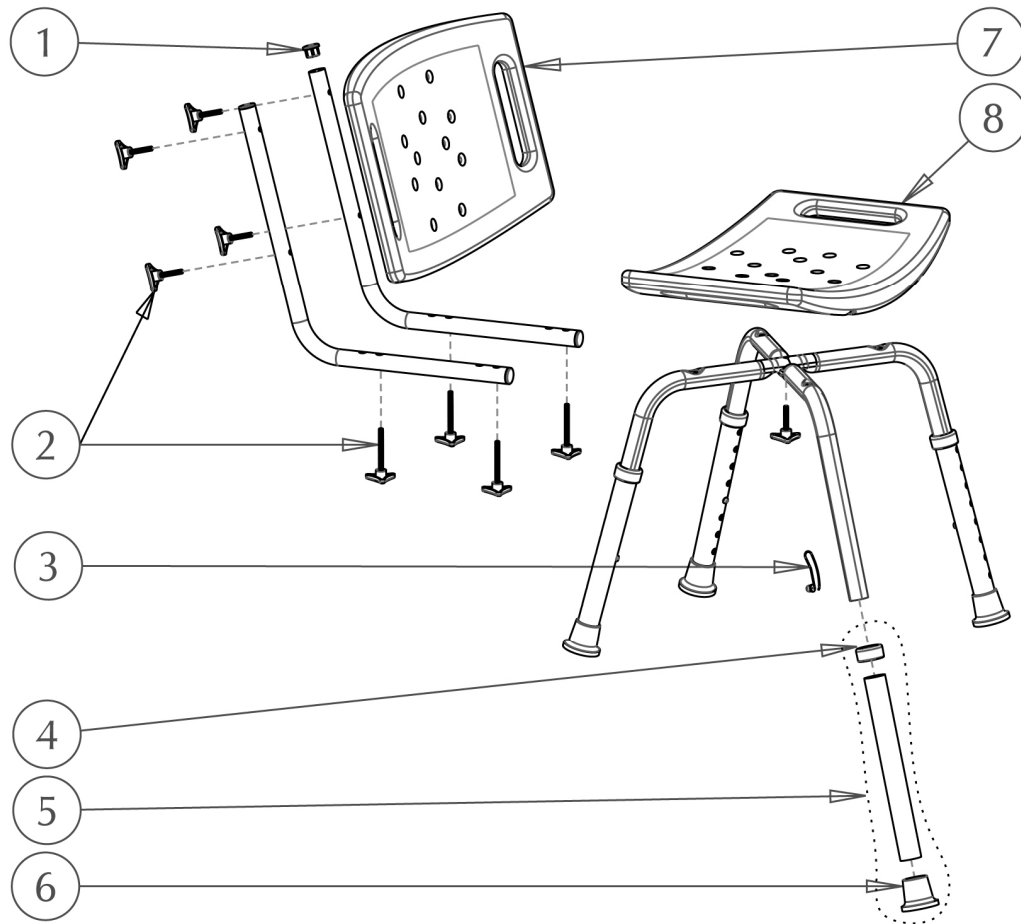
Item #	AMG Part #	Item Description	Qty Per Unit	Sold by	UOM
1.	<b>A03-452</b>	Seat / Backrest, Blow-Molded Plastic, White (505x305x35mm)	1	1	EA
2.	<b>B03-815</b>	Hardware for Legs (Bolt M6x37mm, Tooth-Lock Washer, S.Steel Curved Washer & Nut)	1	1	ST
3.	<b>B03-011</b>	Top Leg (Aluminum Tube $\phi$ 25.4mm & 2 Push-Buttons with 2 Springs)	1	1	EA
4.	<b>B03-012</b>	Bottom Leg (Aluminum Tube $\phi$ 25.4mm & 2 Push-Buttons with 2 Springs)	1	1	EA
5.	<b>B03-811</b>	Push Button & Spring	4	1	ST
6.	<b>A03-210</b>	Anti-Rattle for Extension Leg, Grey Plastic	4	1	EA
7.	<b>A03-432</b>	Rubber Tip, Grey	4	1	EA
8.	<b>B03-010</b>	Leg Extension Assy (Aluminum Tube $\phi$ 28.6, Anti-Rattle & Rubber Tip)	4	1	EA
9.	<b>A03-405</b>	Plastic Plug	4	1	EA
10.	<b>B03-816</b>	Hardware for 770-510 Back (Screw 1/4"x38mm & S.Steel Curved Washer)	4	1	ST
11.	<b>B03-817</b>	Hardware for 770-510 Seat (S.Steel Screw 1/4" x 57mm & S.Steel Curved Washer)	4	1	ST
Not shown	<b>B03-821</b>	Hardware Set for 770-500 (Bolt M6x37, 4 Screws 1/4"x38mm, Tooth Lock Washer, 5 S.Steel Curved Washers & Nut)	1	1	ST

## 770-516 AQUASENSE ADJUSTABLE BATH BENCH WITH BACK - BLUE



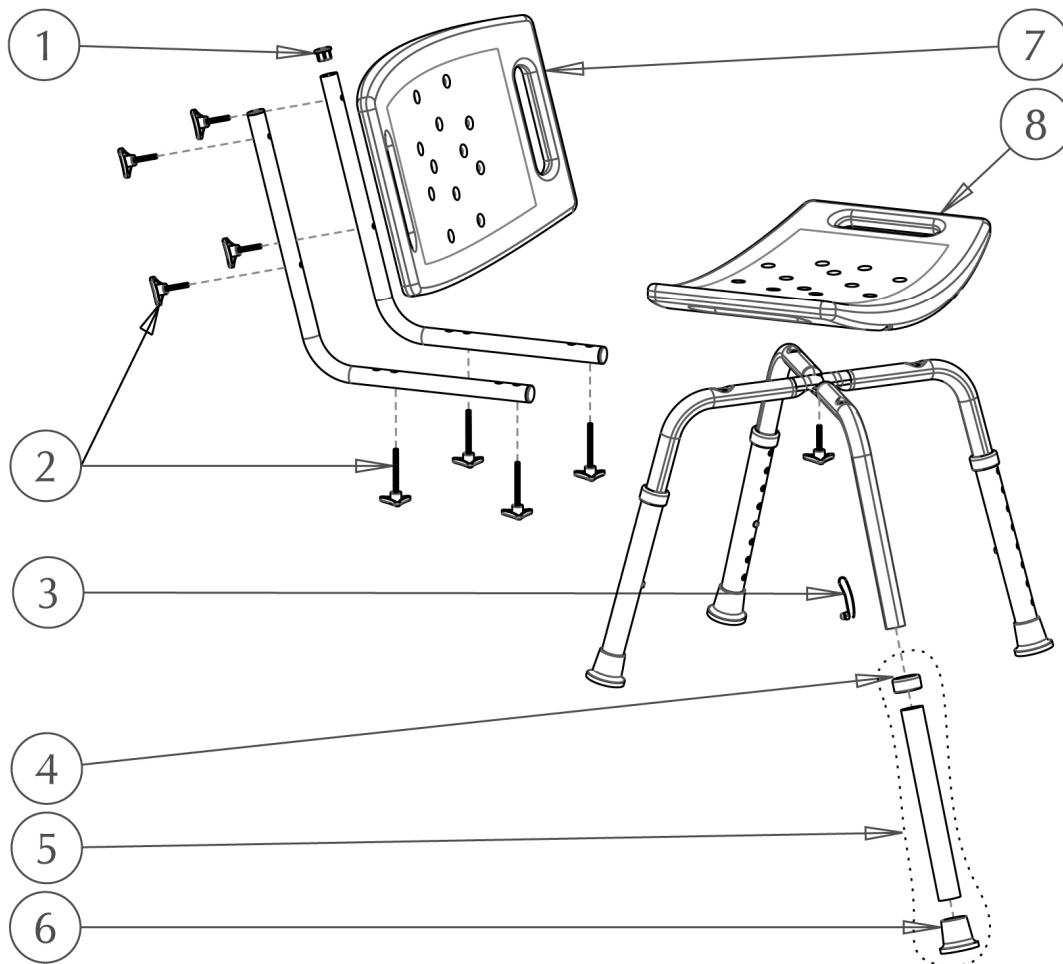
Item #	AMG Part #	Item Description	Qty Per Unit	Sold by	UOM
1.	<b>A11-452</b>	Plastic Plug for dia:22.2mm, Aqua-Blue - 4ea / set	1	1	ST
2.	<b>B11-832</b>	Hardware Set, Aqua-Blue (5 Triangular Knobs M6x34mm & 4 Triangular Knobs M6x57mm)	1	1	ST
3.	<b>B11-811</b>	Push Button dia:8mm & Spring - 4ea / set	1	1	ST
4.	<b>A11-212</b>	Anti-Rattle for dia:28.6mm, Aqua-Blue - 4ea / set	1	1	ST
5.	<b>B11-012</b>	Extension Leg, Aqua-Blue (Aluminum Tube dia:28.6x250mm, Anti-Rattle & Rubber Tip) - 4ea / set	1	1	ST
6.	<b>A11-482</b>	Rubber Tip for dia:28.6mm, Aqua-Blue - 4ea / set	1	1	ST
7.	<b>A11-422</b>	Backrest, Blow-Molded Plastic, Aqua-BLue (505x305x35mm)	1	1	EA
8.	<b>A11-402</b>	Seat, Blow-Molded Plastic, Aqua-BLue (505x305x35mm)	1	1	EA
Not Shown	<b>B11-852</b>	Hardware Set for Bath Bench with Back (5 Cross-Cup Screws M6x34mm, 4 Cross-Cup Screws M6x59mm, 9 Curved Washers) - <b>Accessory</b>	1	1	ST

## 770-517 AQUASENSE ADJUSTABLE BATH BENCH WITH BACK - YELLOW



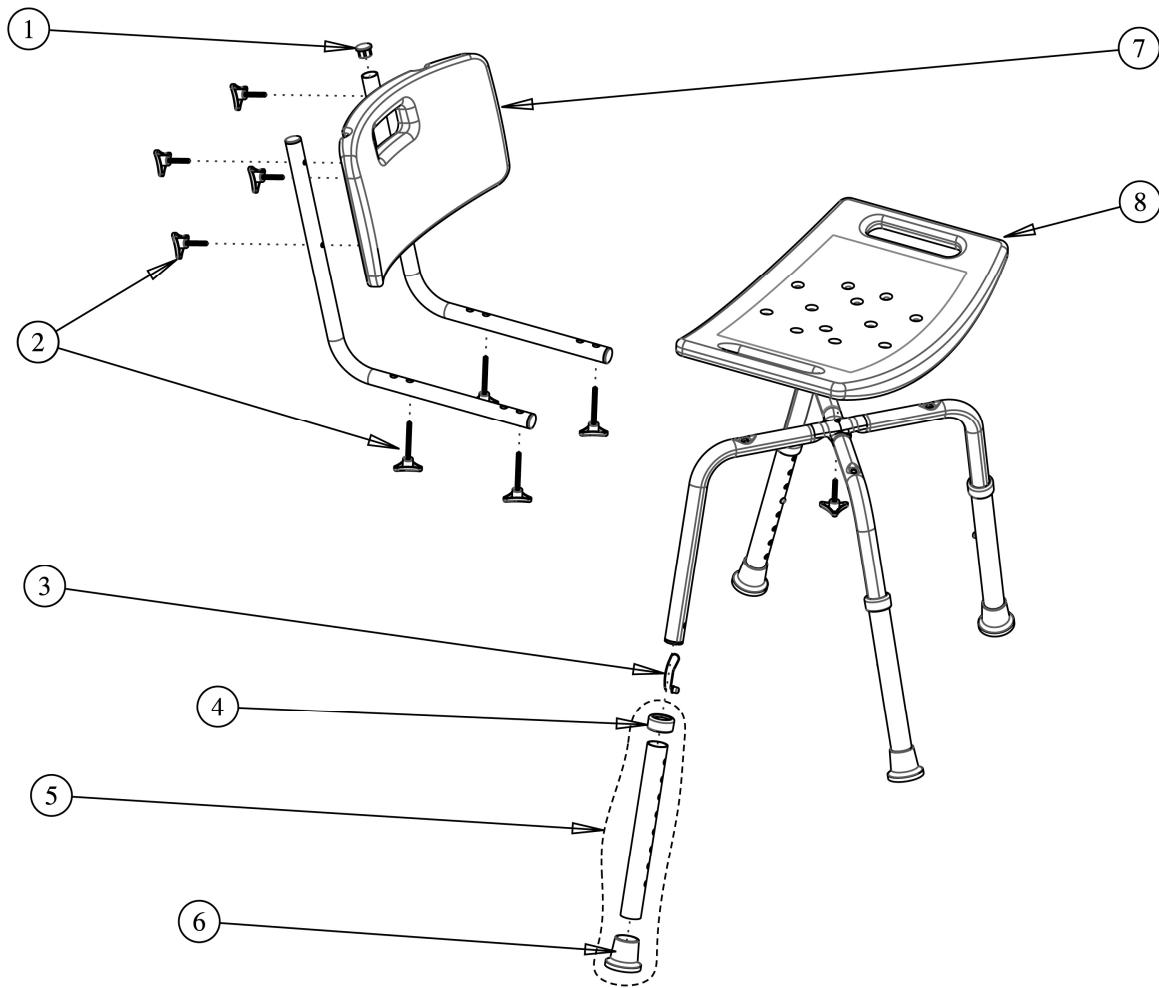
Item #	AMG Part #	Item Description	Qty Per Unit	Sold by	UOM
1.	<b>A11-453</b>	Plastic Plug for dia:22.2mm, Yellow - 4ea / set	1	1	ST
2.	<b>B11-833</b>	Hardware Set, Yellow (5 Triangular Knobs M6x34mm & 4 Triangular Knobs M6x57mm)	1	1	ST
3.	<b>B11-811</b>	Push Button dia:8mm & Spring - 4ea / set	1	1	ST
4.	<b>A11-213</b>	Anti-Rattle for dia:28.6mm, Yellow - 4ea / set	1	1	ST
5.	<b>B11-013</b>	Extension Leg, Yellow (Aluminum Tube dia:28.6x250mm, Anti-Rattle & Rubber Tip) - 4ea / set	1	1	ST
6.	<b>A11-483</b>	Rubber Tip for dia:28.6mm, Yellow - 4ea / set	1	1	ST
7.	<b>A11-423</b>	Backrest, Blow-Molded Plastic, Yellow (505x305x35mm)	1	1	EA
8.	<b>A11-403</b>	Seat, Blow-Molded Plastic, Yellow (505x305x35mm)	1	1	EA
Not Shown	<b>B11-852</b>	Hardware Set for Bath Bench with Back (5 Cross-Cup Screws M6x34mm, 4 Cross-Cup Screws M6x59mm, 9 Curved Washers) - Accessory	1	1	ST

## 770-518 AQUASENSE ADJUSTABLE BATH BENCH WITH BACK - TAUPE



Item #	AMG Part #	Item Description	Qty Per Unit	Sold by	UOM
1.	<b>A11-454</b>	Plastic Plug for dia:22.2mm, Taupe - 4ea / set	1	1	ST
2.	<b>B11-834</b>	Hardware Set, Taupe (5 Triangular Knobs M6x34mm & 4 Triangular Knobs M6x57mm)	1	1	ST
3.	<b>B11-811</b>	Push Button dia:8mm & Spring - 4ea / set	1	1	ST
4.	<b>A11-214</b>	Anti-Rattle for dia:28.6mm, Taupe - 4ea / set	1	1	ST
5.	<b>B11-014</b>	Extension Leg, Taupe (Aluminum Tube dia:28.6x250mm, Anti-Rattle & Rubber Tip) - 4ea / set	1	1	ST
6.	<b>A11-484</b>	Rubber Tip for dia:28.6mm, Taupe - 4ea / set	1	1	ST
7.	<b>A11-424</b>	Backrest, Blow-Molded Plastic, Taupe (505x305x35mm)	1	1	EA
8.	<b>A11-404</b>	Seat, Blow-Molded Plastic, Taupe (505x305x35mm)	1	1	EA
Not Shown	<b>B11-852</b>	Hardware Set for Bath Bench with Back (5 Cross-Cup Screws M6x34mm, 4 Cross-Cup Screws M6x59mm, 9 Curved Washers) - <b>Accessory</b>	1	1	ST

## 770-519 AQUASENSE ADJUSTABLE BATH BENCH WITH BACK



Item #	AMG Part #	Item Description	Qty Per Unit	Sold by	UOM
1.	<b>A11-455</b>	Plastic Plug for tube of 22.2mm, Grey - 4ea / set	1	1	ST
2.	<b>B11-832</b>	Hardware Set, Aqua-Blue (5 Triangular Knobs M6x32mm & 4 Triangular Knobs M6x57mm)	1	1	ST
3.	<b>B11-811</b>	Push Button (8 mm diameter) & Spring - 4ea / set	1	1	ST
4.	<b>A11-212</b>	Anti-Rattle for 28.6 mm diameter tube, Aqua-Blue - 4ea / set	1	1	ST
5.	<b>B11-012</b>	Extension Leg, Aqua-Blue (Aluminum Tube of 28.6 diameter x 250 mm, Anti-Rattle & Rubber Tip) - 4ea / set	1	1	ST
6.	<b>A11-482</b>	Rubber Tip for 28.6 mm tube, Aqua-Blue - 4ea / set	1	1	ST
7.	<b>A11-421</b>	Backrest, Blow-Molded Plastic, White (397x223x94mm)	1	1	EA
8.	<b>A11-401</b>	Seat, Blow-Molded Plastic, White (505 x 305 x 35 mm)	1	1	EA
Not Shown	<b>B11-852</b>	Hardware Set for Bath Bench with Back (5 Cross-Cap Screws M6x32mm, 4 Cross-Cap Screws M6x57mm, 9 Curved Washers & 1 Locknut) – <b>Accessory (screw set to replace triangular knobs)</b>	1	1	ST