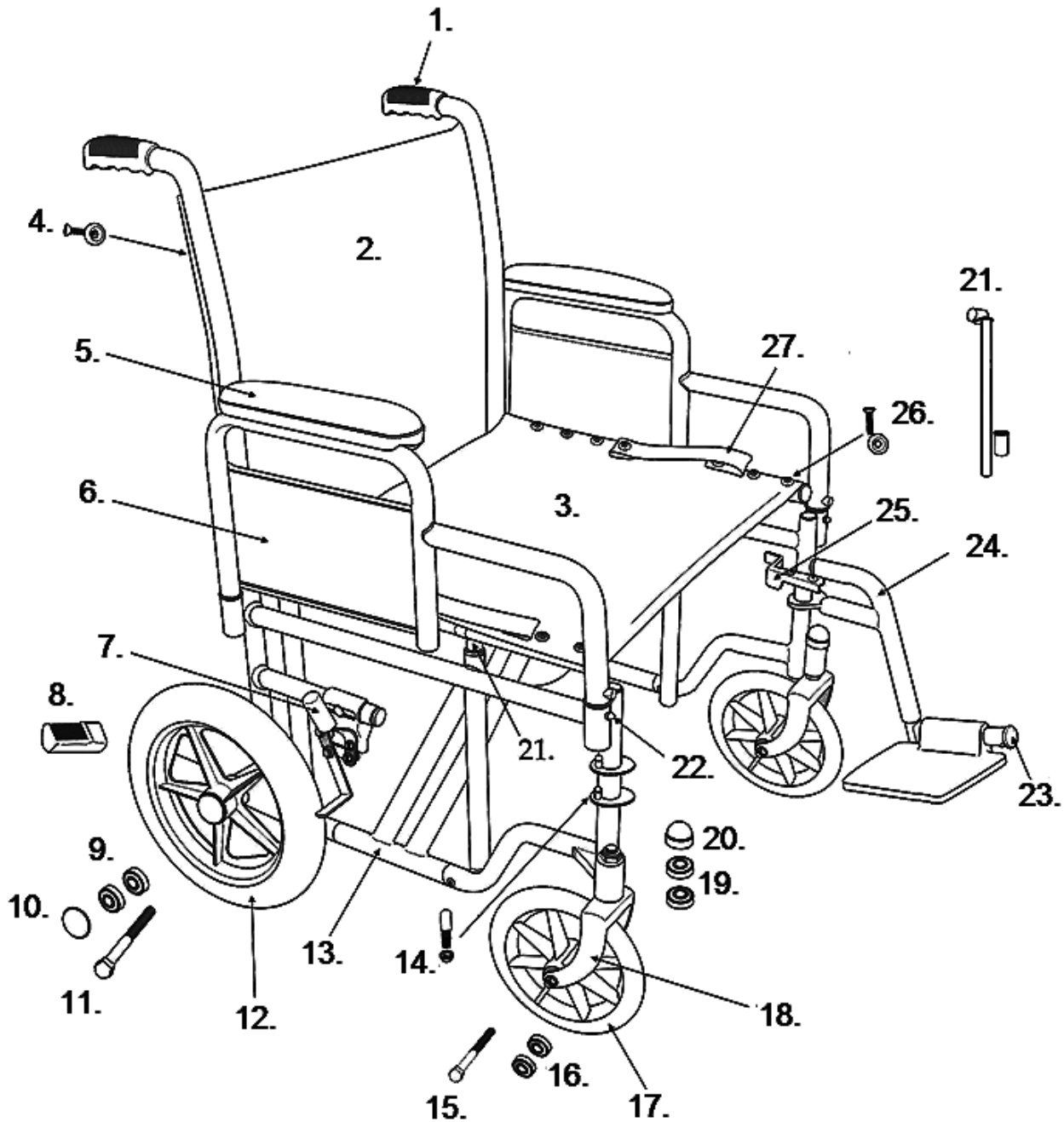


BARIATRIC STEEL TRANSPORT CHAIR (BTR20/22)



- | | |
|---|---|
| 1. Handgrip- STDS2K3003 | 13. Cross Frame 20"- STDS2K3045 Cross Frame 22"- STDS2K3044 |
| 2. Back Upholstery 20"- STDS2KBTR20B Back Upholstery 22"- STDS2KBTR22B | 14. Hanger Pins (4 ea)- STDS1069-4 |
| 3. Seat upholstery 20"- STDS2KBTR20S Seat Upholstery 22"- STDS2KBTR22S | 15. Caster Axle- STDS2K3042 |
| 4. Back Uphol. Hardware (8 ea)- STDS2D5504 | 16. Caster Bearing- STDS1011 |
| 5. Arm Pad- STDS2K3003 | 17. Caster- STDS2K3009 |
| 6. Arm Assembly Blue Left- STDS4S30LB * Arm Assembly Blue Right- STDS4S30RB * Arm Assembly Red Left- STDS4S30LR * Arm Assembly Red Right- STDS4S30RR * | 18. Fork (4S s/n)- STDS4S3006F |
| 7. Wheel Lock Left- STDS2K303L Wheel Lock Right- STDS2K303R Wheel Lock Tip- STDS8M4603 | 19. Fork Bearing Flange - STDS3J2401 Fork Bearing Non-Flange- STDS8M4601 |
| 8. Tipping Sleeve- STDS2K3015 | 20. Dust Cap- STDS8M4651 |
| 9. Rear Wheel Bearing- STDS2K3031 | 21. Slide Tube- STDS2K3010 |
| 10. Hub Cap- STDS2K3002 | 22. Release Button- STDS3J4503 |
| 11. Rear Axle- STDS2K3032 | 23. Footrest Bumper- STDS1026 |
| 12. Rear Wheel- STDS2K3000 | 24. Footrest (pr) Blue- STDS2K305B Footrest (pr) Red- STDS2K305R |
| | 25. Release Lever Left- STDS3J091L Release Lever Right- STDS3J091R |
| | 26. Seat Uphol. Hardware (8 ea)- STDS1072-8 |
| | 27. Upholstery Strap- STDS2K3012 |

2011 & Later (4S s/n)