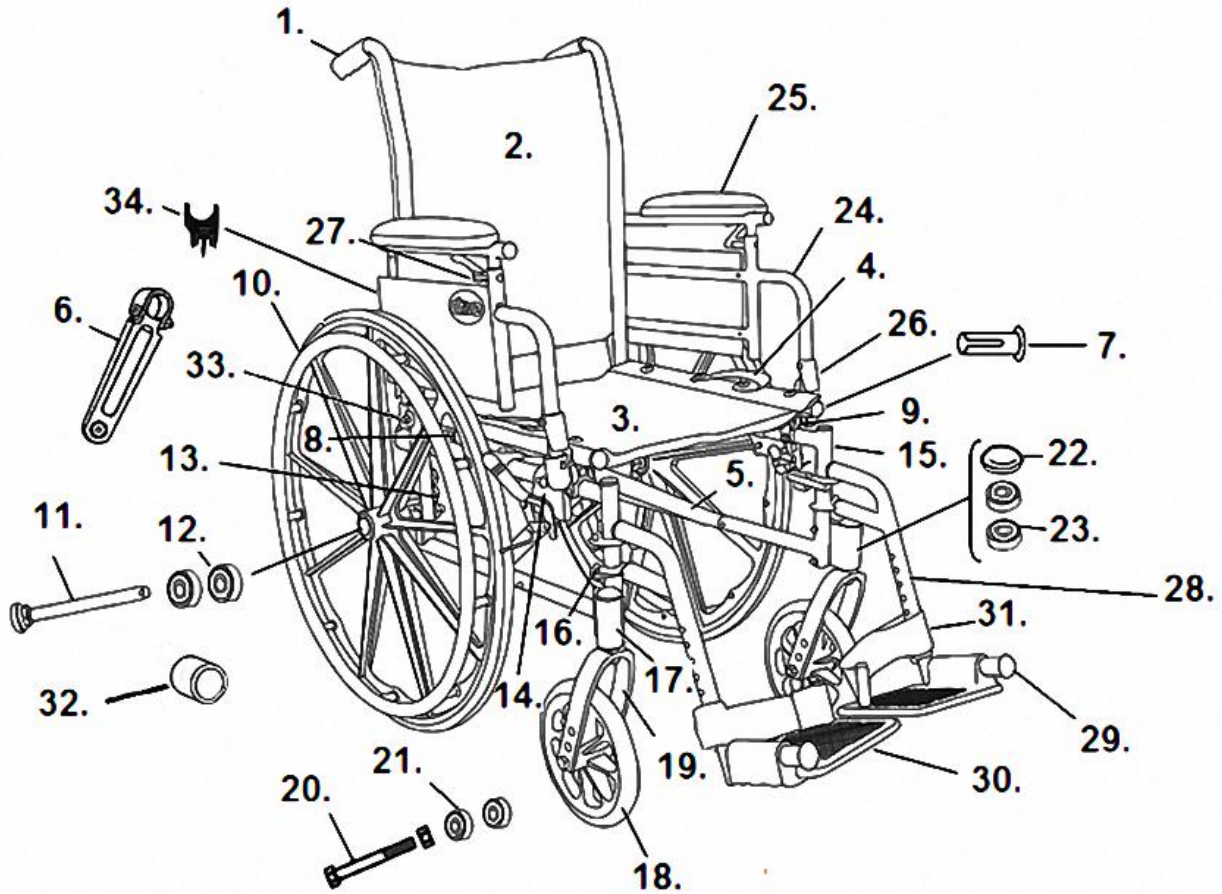


## CRUISER X4



- |  |  |
|--|--|
| <p>1. Back Cane- STDS4SC4X-15<br/>Hand Grip- STDS3J2403</p> <p>2. Back Upholstery 16"- STDS4SC4X-10<br/>Back Upholstery 18"- STDS4SC4X-11<br/>Back Upholstery 20"- STDS4SC4X-12</p> <p>3. Seat Upholstery 16"- STDS3J2416-AD<br/>Seat Upholstery 18"- STDS3J2418-AD<br/>Seat Upholstery 20"- STDS3J2420-AD</p> <p>4. Upholstery Strap- STDS3J2411</p> <p>5. Cross Frame 16"- STDS3J24X6-AD<br/>Cross Frame 18"- STDS3J24X8-AD<br/>Cross Frame 20"- STDS3J242X-AD</p> <p>6. Cross Frame Assist 16"- STDS3J2436<br/>Cross Frame Assist 18"- STDS3J2438<br/>Cross Frame Assist 20"- STDS3J2440</p> <p>7. Seat Ext Tube &amp; Screw- STDS5D24XF-ET<br/>Seat Ext Screws (pr)- STDS5D4XF-S</p> <p>8. Rear Seat Saddle- STDS3J2414</p> <p>9. Front Seat Saddle- STDS3J2412</p> <p>10. Rear Wheel- STDS4SC4X-01</p> <p>11. Quick Release Axle- STDS4SC4X-02</p> <p>12. Rear Axle Bearing- STDS4Y4729</p> <p>13. Rear Wheel Receiver- STDS4SC4X-16</p> <p>14. Push/Lock Wheel Lock Lf- STDS8M462L *<br/>Push/Lock Wheel Lock Rt- STDS8M462R *<br/>Push to Lock Wheel Lock Lf- STDS2A340L **<br/>Push/Lock Wheel Lock Rt- STDS2A340R **<br/>Pull to Lock Wheel Lock Lf- STDSK234-PTL<br/>Pull to Lock Wheel Lock Rt- STDSK234-PTR<br/>Wheel Lock Tip- STDS8M4603</p> <p>15. Side Frame Left- STDS4SC4X-05<br/>Side Frame Right- STDS4SC4X-06</p> <p>16. Hanger Pins (4 ea)- STDS4S1069</p> <p>17. Fork Housing Assy. Left- STDS4SC4X-03 ***<br/>Fork Housing Assy. Rt.- STDS4SC4X-04 ***</p> | <p>18. Caster 8"- STDS4S2432<br/>Caster 6"- STDS4SC4X-07</p> <p>19. Fork- STDS4SC4X-17</p> <p>20. Caster Axle- STDS8M4631</p> <p>21. Caster Bearing- STDS1011HD</p> <p>22. Fork Stem Bearing- STDS8M4601</p> <p>23. Dust Cap- STDS8M4651</p> <p>24. Adj. Ht Armrest Desk Left- STDS3J24AL<br/>Adj. Ht Armrest Desk Right- STDS3J24AR<br/>Adj. Ht Armrest Full Left- STDS3J24AFL<br/>Adj. Ht Armrest Full Right- STDS3J24AFR</p> <p>24a. Upper Adj. Arm Full Left- STDS3J24AFL-UFL<br/>Upper Adj. Arm Full Right- STDS3J24AFR-UFR<br/>Upper Adj. Arm Desk Left- STDS3J24AL-UDL<br/>Upper Adj. Arm Desk Right- STDS3J24AR-UDR</p> <p>25. Arm Pad Desk- STDS4SKVB<br/>Arm Pad Full- STDS4FLVB</p> <p>26. Arm Rest Lever- STDS3J2419</p> <p>27. Height Adj. Lever Left- STDS4SC4X-08<br/>Height Adj. Lever Right- STDS4SC4X-09</p> <p>28. Footrest (pr)- STDS3J24SF<br/>Elevating Leg Rest (pr)- LK3JELR</p> <p>29. Footrest Bumper- STDS3J2450</p> <p>30. Footplate Left- STDS3J2410L<br/>Footplate Right- STDS3J2410R</p> <p>31. Heel loop &amp; Post- STDS831</p> <p>32. Tipping Sleeve- STDS3J2422<br/>Anti-Tippers (pr)- STDS819</p> <p>33. Rear Armrest Receiver- STDS3J2409</p> <p>34. Armrest Frame Saddle- STDS5D2499</p> |
|--|--|
- \* After Ser # 4S1503.....
- \*\* Before Ser # 4S1503.....
- \*\*\* Includes bearing and hardware.