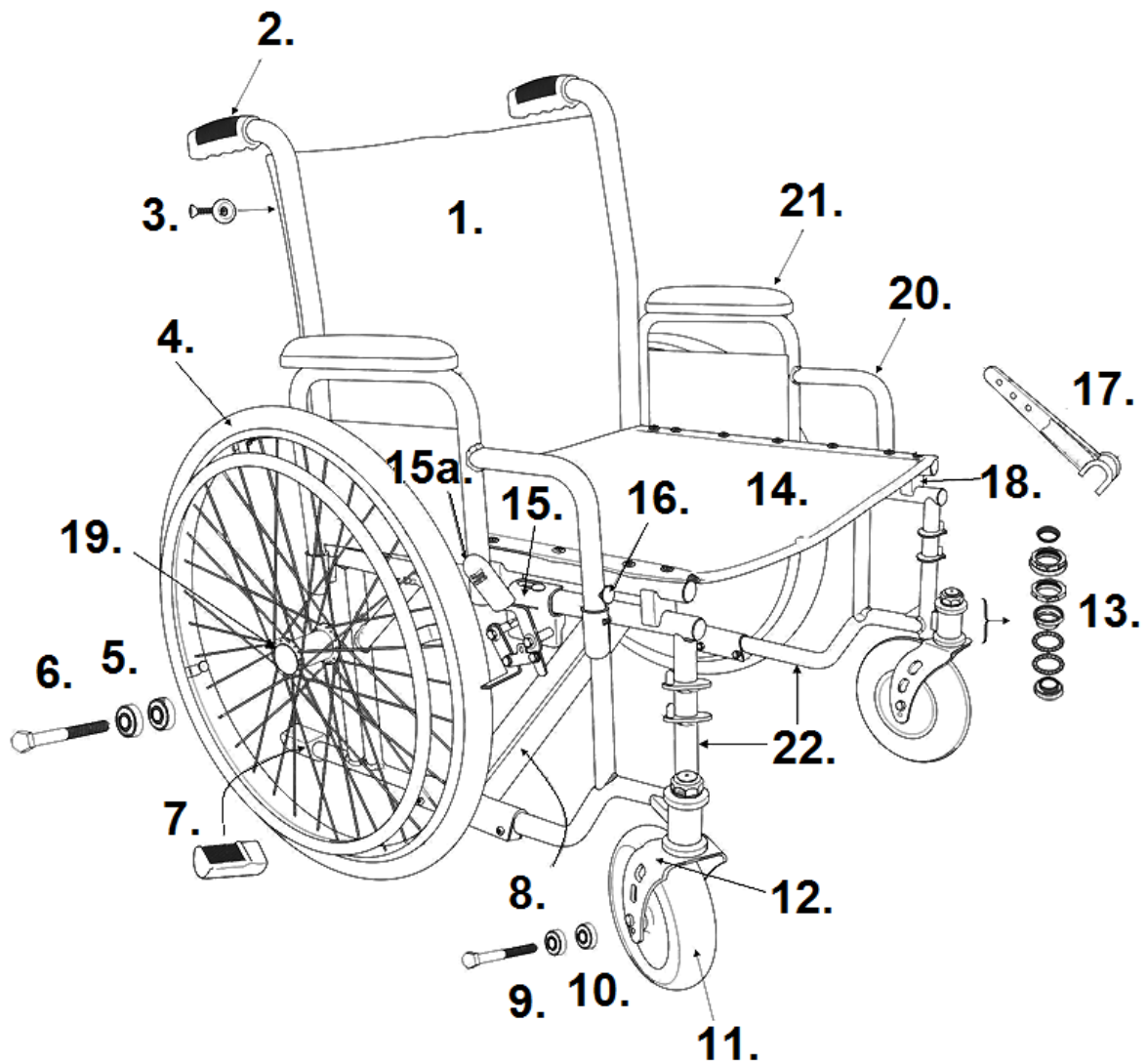


SENTRA EC XW (1M & Y SERIAL #)



- 1. Back Upholstery 26"- STDS1M2206
Back Upholstery 28"- STDS1M2208
Back Upholstery 30"- STDS1M2213
- 2. Hand Grip- STDS871
- 3. Back Upholstery Hardware (8 ea)- STDS2015
- 4. Rear Wheel- STDS1M2200
- 5. Rear Axle Bearing - STDS1M2202
- 6. Rear Axle Bolt- STDS1M2203
- 7. Tipping Sleeve- STDS1M2204
- 8. Cross Frame 26"- No Longer Available
Cross Frame 28"- STDS1M22X6
Cross Frame 30"- STDS1M22X7
- 9. Caster Axle- STDS1M2210
- 10. Caster Bearing - STDS2A4314
- 11. Caster- STDS1M2212
- 12. Black Fork- STDS1M2214
- 13. Fork Stem Bearing Assy.- STDS1M2215
- 14. Seat Upholstery 26"- STDS1M2226
Seat Upholstery 28"- STDS1M2228
Seat Upholstery 30"- STDS1M2230

- 15. Wheel Lock Left- STDS4027L
Wheel Lock Right- STDS4027R
- 15a. Wheel Lock Tip- STDS4011
- 16. Arm Release Button- STDSSSB
- 17. Cross Frame Assist 26"- STDS1M2211
Cross Frame Assist 28"- STDS1M2221
Cross Frame Assist 30"- STDS1M2222
- 18. Seat Rail Saddle- STDS1M2218
- 19. Hub Cap (pr)- STDS1M2229
- 20. Desk Arm Assy. Left- STDS1M222L
Desk Arm Assy. Right - STDS1M222R
Full Arm Assy. Left- STDS1M223L
Full Arm Assy. Right - STDS1M223R
- 21. Arm Pad Desk- STDSDSKVB
Arm Pad Full- STDSFLVB
- 22. Side Frame Left- STDSY22SFL
Side Frame Right- STDSY22SFR