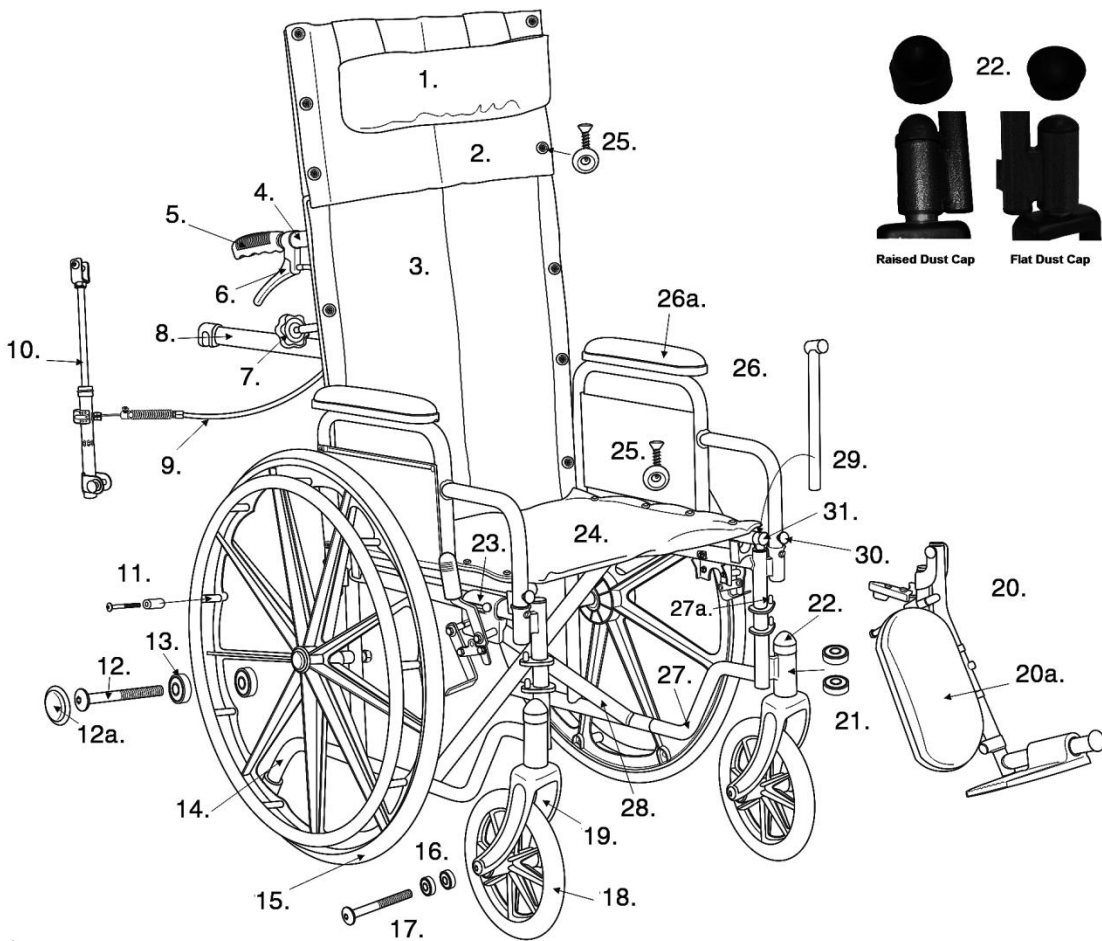


SILVER SPORT RECLINER



- | | |
|--|---|
| 1. Headrest Pillow- STDS4Y4726 | 21. Fork Stem Bearing (ea)
Flat Dust Cap- STDS8M4601
Raised Dust Cap- STDS1060 |
| 2. Headrest Upholstery 16"- STDS4Y4724
Headrest Upholstery 18"- STDS4Y4713
Headrest Upholstery 20"- STDS4Y4725 | 22. Dust Cap (Raised)- 95032F260N06
Dust Cap (Flat)- STDS8M4651
Dust Cap Sub (Flat)- STDS1051 |
| 3. Back Upholstery 16"- STDS4Y4722
Back Upholstery 18"- STDS4Y4700
Back Upholstery 20"- STDS4Y4718 | 23. Wheel Lock Right (Long Handle)- **
Wheel Lock Left (Long Handle)- **
Wheel Lock Right- STDS4S4817R ***
Wheel Lock Left- STDS4S4817L *** |
| 4. Backrest Cane S s/n- STDS4S4716
Backrest Cane Y s/n- * | 24. Seat Upholstery 16"- STDS4Y4717
Seat Upholstery Seat 18"- STDS4Y4701
Seat Upholstery Seat 20"- STDS4Y4799 |
| 5. Handgrip- TRHG | 25. Upholstery Hardware (16 ea)- STDS2A5418 |
| 6. Release Handle/Cable Left- STDS4Y4702L
Release Handle/Cable Right- STDS4Y4702R | 26. Desk Arm Right- STDS4Y4705R
Desk Arm Left- STDS4Y4705L
Full Arm Right- STDS4Y470RF
Full Arm Left- STDS4Y470FL |
| 7. Spreader Bar Knob- STDS4Y4715 | 26a. Desk Arm Pad- STDS4Y4705R
Full Arm Pad- STDS4Y470RF |
| 8. Spreader Bar 16"- STDS4Y4720
Spreader Bar 18"- STDS4Y4714
Spreader Bar 20"- STDS4Y4719 | 27. Side Frame Right- STDS4Y4711
Side Frame Left- STDS4Y4710 |
| 9. Cable- STDS3006 | 27a. Hanger Pin (4 ea)- STDS4S1069 |
| 10. Reclining piston Left- STDS4Y4704L
Reclining piston Right- STDS4Y4704R | 28. Cross Frame 16"- STDS4Y4721
Cross Frame 18"- STDS4Y4709
Cross Frame 20"- STDS4Y4727 |
| 11. Hand Rim Hdwr. Set (9 ea)- STDS004609-9 | 29. Rear Slide Tube 16" & 18"- STDS4Y4798
Rear Slide Tube 20"- STDS4Y4798-20
Front Slide Tube 16" & 18"- STDS4Y4798
Front Slide Tube 20"- STDS8M4925 |
| 12. Rear Axle Bolt- STDS4Y4707 | 30. Flip Lock Arm Release- STDS4Y2432-1 |
| 12a. Hub Cap- STDS4Y2431 | 31. Cross Frame Plug- STDS4Y4733 |
| 13. Rear Wheel Bearings (pr)- STDS4Y4729 | |
| 14. Anti Tipper- STDS4Y4712 | |
| 15. Rear Wheel- STDS4Y4730 | |
| 16. Caster Bearing- STDS1011 | |
| 17. Caster Axle- STDS3J2431 | |
| 18. Caster- STDS3J2432-1 | |
| 19. Fork (Raised Dust Cap)- STDS3J4533
Fork (Flat Dust Cap)- STDS4S4533 | |
| 20. Elevating Leg Rest Pair- STDS4Y4706
Elevating Leg Rest Left- STDS4Y4706L
Elevating Leg Rest Right- STDS4Y4706R
Calf Pad- STDS4Q2007BLK
Calf Pad Mounting Bracket- STDS8MCPMB | |

* For Y s/n if only 1 backrest cane is needed send two STDS4S4716, 1 at no charge. If 2 are needed send two STDS4S4716.

** Long Handle brake no longer available.
*** Serial # 4S1506.. & Newer, (replaced long handle brake).