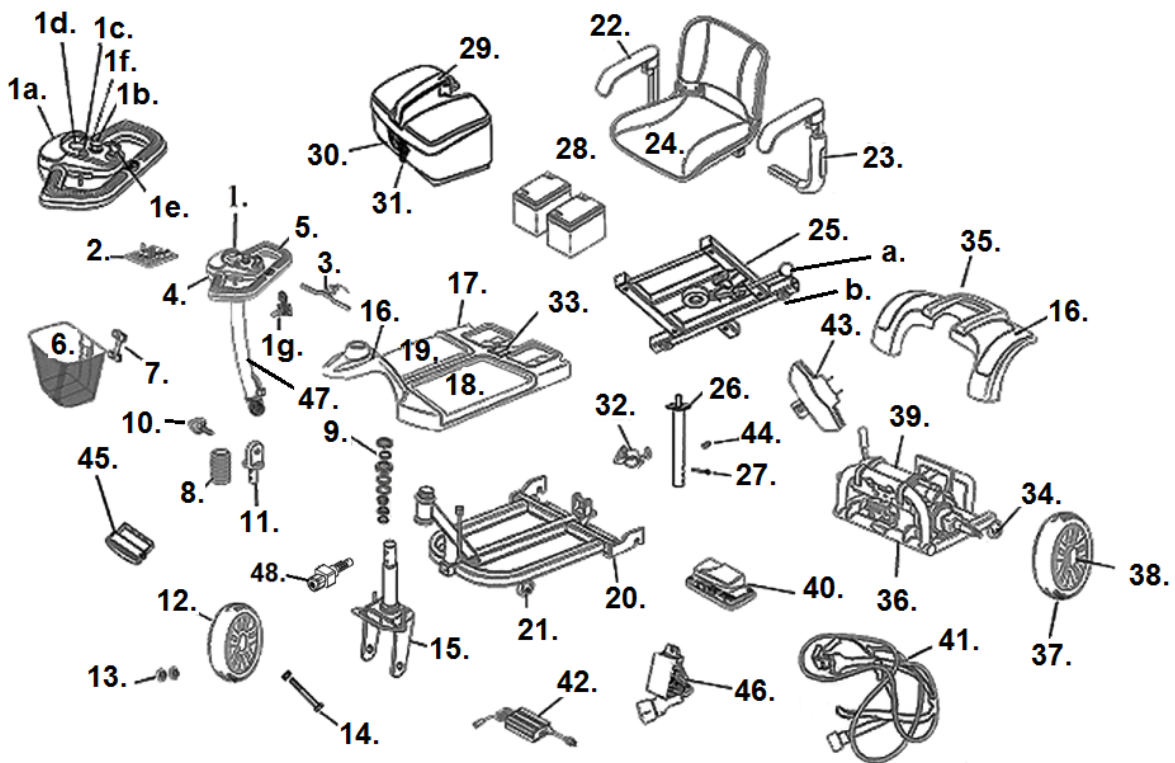


## SPITFIRE EX2 (3 WHEEL)



- 1. Control Panel Assembly - LRM414100
- 1a. Control Panel Decorations Blue- LRM412103-03B  
Ctrl. Panel Decorations Red- LRM412103-03R
- 1b. Speed Control- LRM412103-10  
Speed Control Knob- LRM412103-11
- 1c. Horn & Horn Switch- LRM412103-08
- 1d. Battery Gauge Led- LRM412103-LED
- 1e. Key Switch- LRM402323-02-HL  
Key- LRM112110-02
- 1f. Headlight Switch- LRM414103-16
- 1g. Tiller Charger Port- LRM414103
- 2. PC Board (LED gauge)- LRM402104-02
- 3. Throttle Assembly- LRM302102-02  
Reverse Throw Throttle- LRM302102-02RT
- 4. Lower Control Panel- LRM414102
- 5. Hand Grip- LRM414101-11
- 6. Basket- LRA402226
- 7. Basket Bracket- LRM412101-08
- 8. Tiller Boot- LRM402200-06
- 9. Tiller Bearing Set- LRB402348
- 10. Tiller Adjustment Knob- LRA402201-23
- 11. Lower Tiller Swivel- LRB402345
- 12. Front Wheel (Black)- LRM412112-03
- 13. Front Wheel Bearing (ea)- STDS4Y4708
- 14. Front Axle & Spacer- LRM412114
- 15. Fork- LRM412111
- 16. Decoration Set (inc. pt 1a.) Blue- LRM412110B  
Decoration Set (inc. pt 1a.) Red- LRM412110R
- 17. Front Shroud- LRM412115
- 18. Floor Mat Left- LRM412118L
- 19. Floor Mat Right- LRM412118R
- 20. Front Frame- LRM412116
- 21. Front Anti-Tipper Wheel & Hdw.- LRM302114-F
- 22. Armrest Pad- LRM302115-01
- 23. Armrest Assembly Left- LRM302115L-02  
Armrest Assembly Right- LRM302115R-02  
Armrest Knob- S31052
- 24. Seat Assembly- LRM302116-02  
Back Cover- LRM302213-08  
Seat Cover- LRM302213-09
- 25. Seat Plate- LDR420011-FN  
a. Seat Swivel Knob- SFPROSEATKN  
b. Seat Accessory Knob- LDR410011-12
- 26. Seat Post- LRM412100-FN
- 27. Seat Post Pin- S31152
- 28. 12ah Battery (2 needed)- LRM402109  
12ah Battery Case Only- LRM412108  
12ah Batter Case & Batteries- LRM412120  
21ah Battery (2 needed)- LRM412123  
21ah Battery Case Only- LRM412121  
21ah Batter Case & Batteries- LRM412122
- 29. Battery Box Handle- LRM412108-01
- 30. 20 Amp Circuit Breaker- LRM302107  
Substitute- LRM302207
- 31. Battery Box Charger Port- LRM414103
- 32. Battery Case Clamp- AZ3022
- 33. Battery Contact Plate- LRM412118-10
- 34. Anti-Tipper Wheel- LRM302114
- 35. Rear Shroud- LRM412119
- 36. Rear Frame- LRM412124
- 37. Rear Wheel- LRM412113-02
- 38. Hub Cap- LRM412202-HC
- 39. Motor/Gearbox/Brake Assembly- LRM412106  
Motor- LRM302106-02  
Gearbox- LRM412106-01  
Brake- LRM412106-03
- 40. Controller- LRM412105
- 41. Wire Harness- LRM414109
- 42. Charger- LRM302111
- 43. Frame Latch- LRM412133-01
- 44. Seat Post Screw- LRM412100-14
- 45. Head Light Assembly- LRM414107
- 46. Contact Block Set- LRM412101-12
- 47. Tiller- LRM414111
- 48. Tiller Lock- LRM412131-03