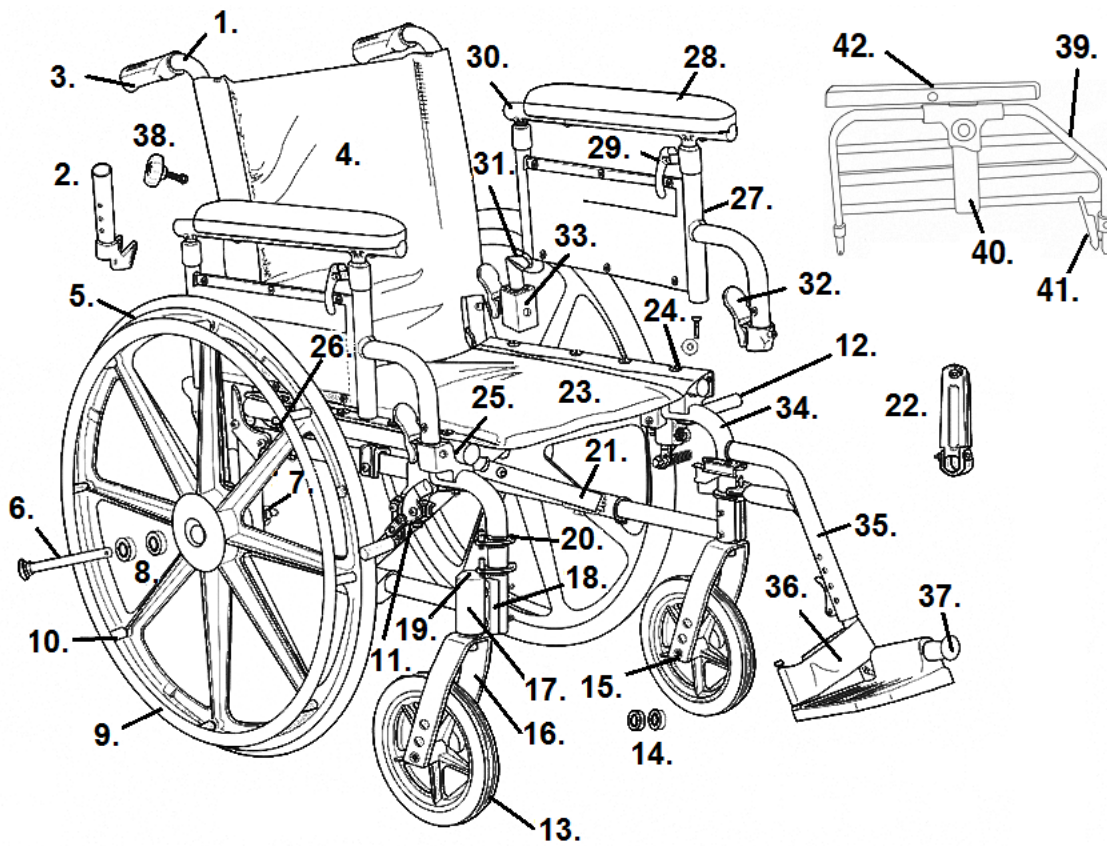


Viper Plus GT



1. Backrest Cane (pr)- STDS1A3557
2. Backrest Pivot Bracket- STDS2A3250
3. Hand Grip- STDS871
4. Back Upholstery 14"- [1]
Back Upholstery 16"- STDS2363BLK
Back Upholstery 17"- [1]
Back Upholstery 18"- STDS2359BLK
Back Upholstery 19"- [1]
Back Upholstery 20"- STDS2361BLK
Back Upholstery 22"- STDS2369BLK
5. Rear Wheel- STDS1A3510
6. Quick Release Axle- STDS1A3511
7. Rear Axle receiver- STDS1A3512
8. Rear Wheel Bearing- STDS1012
9. Hand Rim- STDS2A3511
10. Hand Rim Hardware (8 ea)- STDS1073
11. Push To Lock Wheel Lock Left- STDS1A351L
Push To Lock Wheel Lock Right- STDS1A351R
Pull To Lock Wheel Lock Left- STDS1A352L
Pull To Lock Wheel Lock Right- STDS1A352R
Wheel Lock Bracket- STDS1A351-BC
12. Wheel Lock Tip- STDS2A4335
13. Caster- STDS1A3500
14. Caster Bearing- STDS1011
15. Caster Axle- STDS1A3513
16. Fork- STDS1A3503
17. Fork Stem Bearing- STDS1060
18. Fork Bearing Housing Left- STDS1A350L
Fork Bearing Housing Right- STDS1A350R
Dust Cap- STDS1051
20. Hanger Pins (4 ea)- STDS1069-4
21. Cross Frame Non-Adj. 14"- [1]
Cross Frame Non-Adj. 16"- STDS2A35X6
Cross Frame Non-Adj. 17"- [1]
Cross Frame Non-Adj. 18"- [1]
Cross Frame Non-Adj. 19"- [1]
Cross Frame Non-Adj. 20"- STDS2A35X0
Cross Frame Non-Adj. 22"- STDS2A35X2
Cross Frame Adjustable 16"- STDS2A35X6-AD
Cross Frame Adjustable 18"- STDS2A35X8-AD
Cross Frame Adjustable 20"- STDS2A35X0-AD
Adjustable Depth Extension Tube- STDS2A35X-ET
22. Cross Frame Assist 14"- NLA
Cross Frame Assist 16", 18" & 20"- STDS1A3501N
Cross Frame Assist 19"- NLA
Cross Frame Assist 22"- STDS1A3502
23. Seat Upholstery Non-Adj. 14"- [1]
Seat Upholstery Non-Adj. 16"- STDS2356BLK
Seat Upholstery Non-Adj. 17"- [1]
Seat Upholstery Non-Adj. 18"- STDS2364BLK
Seat Upholstery Non-Adj. 19"- [1]
Seat Upholstery Non-Adj. 20"- STDS2366BLK
Seat Upholstery Non-Adj. 22"- STDS2368BLK
Seat Upholstery Adj. 16"- STDS2356BLK-AD
Seat Upholstery Adj. 18"- STDS2364BLK-AD
Seat Upholstery Adj. 20"- STDS2366BLK-AD
24. Seat Upholstery Hardware (8 ea)- STDS1072-8
25. Front Seat Saddle Left- STDS2A3140
Front Seat Saddle Right- STDS2A3141
26. Rear Seat Saddle- STDS4058
27. Adjustable Height A/R Desk Left- [1]
Adjustable Height A/R Desk Right- STDS1A35DR
Adjustable Height A/R Full Left- STDS1A35FL
Adjustable Height A/R Full Right- STDS1A35FR
28. Arm Pad Desk- STDS2A3144
Arm Pad Full- STDS2A3144
29. Adjustment Lever Left- STDS2A0044
Adjustment Lever Right- STDS2A0046
30. Upper Arm & Pad Desk Left- STDS1A35UDL
Upper Arm & Pad Desk Right- STDS1A35UDR
Upper Arm & Pad Full Left- STDS1A35UFL
Upper Arm & Pad Full Right- STDS1A35UFR
31. Pivot Bracket- STDS2A3240
32. Arm Release Lever- STDS2A3144
33. Rear Arm Bracket Upper- STDS1A3541
Rear Arm Bracket Lower- STDS1A3542
34. Side Frame Left- STDS2A353L
Side Frame Right- STDS2A353R
35. Footrest- AL3-4SF
Elevating Leg Rest- ALELR
36. Heel Loop- STDS831
37. Bumper- STDS1026
38. Back Height Adjustment Knob- STDS895
39. Universal Adj. Ht. Armrest Lt- STDS29S35UNL
Universal Adj. Ht. Armrest Rt- STDS29S35UNR
40. Universal Adj. Ht. A/R Upper Lt- STDS29S35UAL
Universal Adj. Ht. A/R Upper Rt- STDS29S35UAR
41. Armrest Release Lever- STDS29S3144
42. Upper Arm Pad Assembly Lt- STDS29S3145UL
Upper Arm Pad Assembly Rt- STDS29S3145UR

[1] The part is no longer available.

Not Shown Anti-Tippers- STDS807