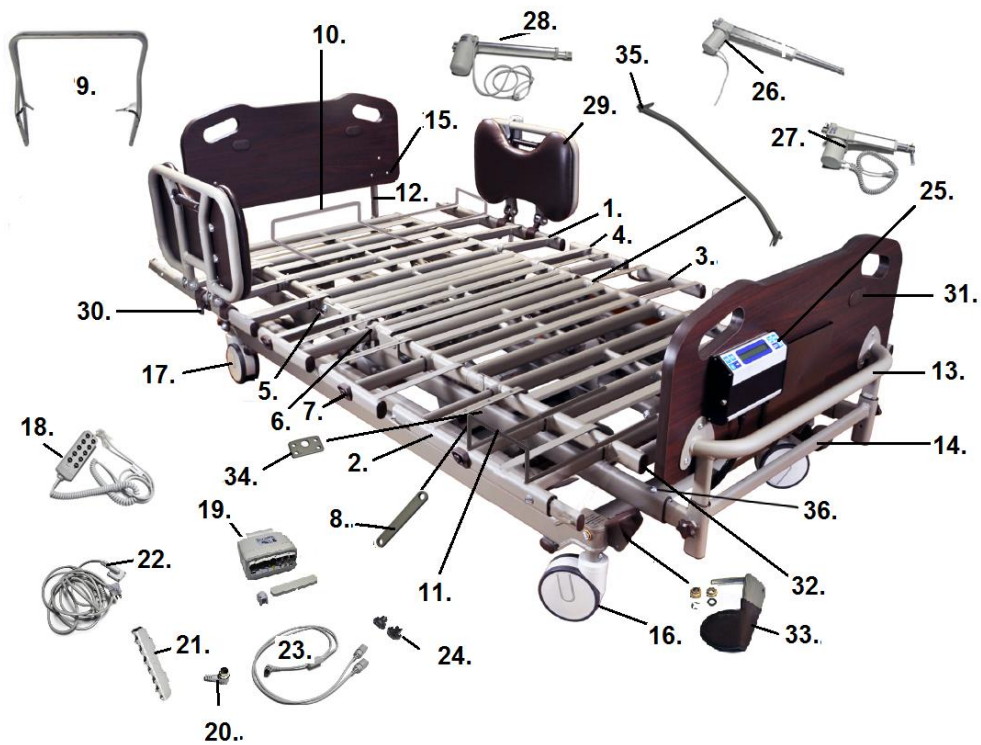


P2002 PRIME LONG TERM CARE BED



- | | |
|--|--|
| 1. Head Deck- SP02-P2002-10003E
Head Deck Width Ext. Left- SP02-P2002-08E
Head Deck Width Ext. Right- SP02-P2002-07E | 22. Power Cord- SP01-CA65738 |
| 2. Foot Deck- SP02-P2002-10001E
Foot Deck Width Ext. Left- SP02-P2002-12E
Foot Deck Width Ext. Right- SP02-P2002-11E | 23. "Y" Cable - SP01-CA51336 |
| 3. Thigh Deck- Part no longer available.
Thigh Deck Width Ext.- SP02-P2002-09E | 24. "Y" Cable Mounting Bracket- SP02-PPB2000-36E |
| 4. Hip Deck Width Extension - SP02-P2002-10E | 25. Scale (PBAWS & PASCB)- SP02-PPBASC * |
| 5. Head/Foot/Thigh Deck Hdwe.- SP02-PPB2000-DB | 26. Hi/Lo Motor (2 used)- SP01-79323
Hi/Lo Pivot Bolt & Hdw. (2")(ea)- SP02-ML10021000701 |
| 6. Width Extension Guides- SP02-PPB2000-SMB | 27. Foot Motor- SP01-81069 |
| 7. Width Extension Release Assy.- SP02-PPB2000-35E | 28. Head Motor- SP01-81077 |
| 8. Foot Deck Pivot Arm (pr)- SP02-PPB2000-27DB
Foot Deck Pivot Bolt (ea)- SP02-PPB2000-23DB | 29. Side/Assist Rails- SP02-PPBASR *
Side/Assist Rail Pad- SP02-PPBASRP |
| 9. Wall Guard- SP02-PPB2000-32 | 30. Side/Assist Rail Mounting Bracket- SP02-PPBRSRB
Side/Assist Rail Rel. Handle- SP02-PPB1750ARRH
Side/Assist Rail Liner- SP02-1750-13-03E |
| 10. Head/Foot Mattress Retainer- SP02-ML1002-10005E | 31. Head/Foot Board Plug (pr)- SP02-PPB2000-17-03 |
| 11. Side Mattress Retainer- SP02-ML1002-10004E | 32. Frame Tube End Insert- SP02-PPB2000-42E |
| 12. Head Board Mtg. Bracket- SP02-PPB2000-1612E | 33. Lt Side Head/Rt Side Brake Pedal- SP02-PPB2000-10019
Rt Side Head/Lt Side Brake Pedal- SP02-PPB2000-10018
Plastic Pedal Washer- SP02-PF43131900E
Brake Pedal "E" Clip- SP02-UE31091001E
Brake Pedal Sm. Flange Washer- SP02-UB10122501E
Brake Pedal Lg. Flange Washer- SP02-UB10122500E
Brake Pedal Ext. Bar- SP02-ML1002-10012E |
| 13. Foot Board Mtg. Bracket- SP02-PPB1750-1712E | 34. Cross Bar Mounting Plate- SP02-PPB2000-21B
Cross Bar Mtg. Bushing- SP02-PPB2000-22B |
| 14. End Board Adj Mtg Brkt - SP02-PPB1750-31E
Hand Wheel Knob- SP02-PPB1750-43E | 35. Cross Brake Locking Assy.- SP02-PPB2000-24B |
| 15. End Board Bolt Male (20)- SP02-UF16108051E
End Board Bolt Fem. (20)- SP02-UN90108091E | 36. Length Extension Bolt- SP01-KBCZ31C50
n/s Hardware Pack- SP02-ML1000-10030E
n/s Embedded Staff Control- SP01-55658 * |
| 16. Total Locking Caster- SP02-UA18701500E | |
| 17. Direct Locking Caster- SP02-UA18701501E | |
| 18. Hand Pendant (8 button)- SP01-72298
Hand Pendant (10 button)- LA-IPROXX2TREND | |
| 19. Motor Control Box- SP01-69159 | |
| 20. Motor Control Box Bypass Plug- SP01-PCB900-47E | |
| 21. Motor Control Box Plug Cover- SP01-PCB601-01-53E | |

* Accessory, not a part.