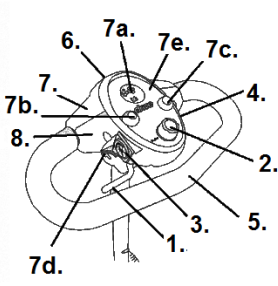
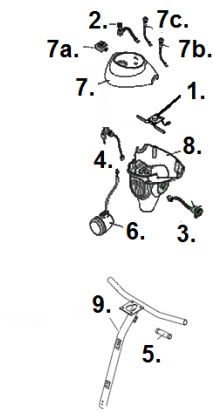
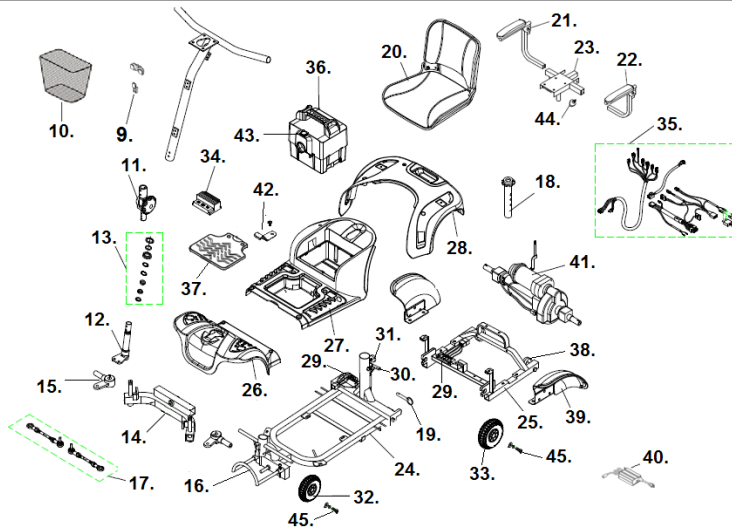


## Phoenix HD4

Delta Tiller s/n (21)2W1801100007 and later.	Standard tiller before s/n (21)2W1801100007
 <ol style="list-style-type: none"> <li>1. Throttle- S12-034-00400</li> <li>2. Speed Control- S31001 Speed Control Knob- LRM412103-11</li> <li>3. Charger Port- S31147</li> <li>4. Key Switch- S31006 KEY- S3KEY</li> <li>5. Delta Bar Cover- S35010HD-03 (Upper &amp; Lower Cover)</li> <li>6. Headlight Assembly- S35010HD-02</li> <li>7. Front Tiller Cover- C08-034-01100               <ol style="list-style-type: none"> <li>a. Battery Gauge LED- C11-076-00100</li> <li>b. Headlight Switch- S31122</li> <li>c. Horn Button- S31012</li> <li>d. USB Assembly- S35010HD-01</li> <li>e. Control Panel Assembly- C08-034-01500</li> </ol> </li> <li>8. Rear Tiller Cover Upper- C08-034-01300 Lower- C08-034-01400</li> </ol>	 <ol style="list-style-type: none"> <li>1. Throttle Old- * New- S12-034-00300 <b>* Stock is gone use new style.</b></li> <li>2. Speed Control- S31001 Speed Control Knob- LRM412103-11</li> <li>3. Charger Port- S31147</li> <li>4. Key Switch- S31006 Key- S3KEY</li> <li>5. Handgrip Foam- S31003 Handgrip TPR Plastic- C20-007-00200</li> <li>6. Headlight Assembly- S31022</li> <li>7. Front Tiller Cover- S31004GT               <ol style="list-style-type: none"> <li>a. Battery Gauge LED- C11-076-00100 Analog- C11-033-00101</li> <li>b. Headlight Switch- S31122</li> <li>c. Horn Button- S31012</li> </ol> </li> <li>8. Lower Tiller Cover- S31209BK</li> </ol>



- |                                                                                                                                                                                                                                                                                                                                                                                                                                                                                                                                                                                                                                                                                                                                                                                                                                                                                                                                                                                                                                                                                                                                                                                                                                                                                                                                                                                                                     |                                                                                                                                                                                                                                                                                                                                                                                                                                                                                                                                                                                                                                                                                                                                                                                                                                                                                                                                                                                                                                                                                                                                                                                                                                                                                                                                                                                                                 |
|---------------------------------------------------------------------------------------------------------------------------------------------------------------------------------------------------------------------------------------------------------------------------------------------------------------------------------------------------------------------------------------------------------------------------------------------------------------------------------------------------------------------------------------------------------------------------------------------------------------------------------------------------------------------------------------------------------------------------------------------------------------------------------------------------------------------------------------------------------------------------------------------------------------------------------------------------------------------------------------------------------------------------------------------------------------------------------------------------------------------------------------------------------------------------------------------------------------------------------------------------------------------------------------------------------------------------------------------------------------------------------------------------------------------|-----------------------------------------------------------------------------------------------------------------------------------------------------------------------------------------------------------------------------------------------------------------------------------------------------------------------------------------------------------------------------------------------------------------------------------------------------------------------------------------------------------------------------------------------------------------------------------------------------------------------------------------------------------------------------------------------------------------------------------------------------------------------------------------------------------------------------------------------------------------------------------------------------------------------------------------------------------------------------------------------------------------------------------------------------------------------------------------------------------------------------------------------------------------------------------------------------------------------------------------------------------------------------------------------------------------------------------------------------------------------------------------------------------------|
| <p>9. Basket Bracket- BC35051</p> <p>10. Basket- S35003-PL</p> <p>11. Tiller Swivel Assembly- S350109<br/>Tiller Locking Knob- S31028</p> <p>12. Steering Post- S350101 [1]</p> <p>13. Tiller Bearing Set- S31021</p> <p>14. Front Fork- S350105HD</p> <p>15. Steering Axle- S350102 [1]</p> <p>16. Front Bumper- S350104-4HD</p> <p>17. Connecting Rod (ea)- S350103</p> <p>18. Seat Post- S31049</p> <p>19. Seat Post Pin- S350169717</p> <p>20. 17.5" Seat &amp; Seat Plate- S35045-HD<br/>17.5" Seat Only- S35045-HD18<br/>17.5" Back Cover- S35045BC-HD<br/>17.5" Seat Cover- S35045SC-HD<br/>20" Seat &amp; Seat Plate- S35045-HD20<br/>20" Seat, Plt &amp; Arms- S35045-HD20-W-ARM<br/>20" Back Cover- C07-034-01500<br/>20" Seat Cover- C07-034-01600</p> <p>21. Armrest Complete Left- VENT-29<br/>Armrest Complete Right- VENT-30</p> <p>22. Arm Pad Left- VENT-31<br/>Arm Pad Right- VENT-32</p> <p>23. Seat Plate- S31039-HD</p> <p>24. Front Frame- S350108</p> <p>25. Rear Frame- S31130-4HD</p> <p>26. Foot Shroud- S350107<br/>Front Decoration Blue Left- S3501BL-1<br/>Front Decoration Blue Rt- S3501BR-1 [1]<br/>Front Decoration Red Left- S3501RL-1<br/>Front Decoration Red Right- S3501RR-1</p> <p>27. Main Shroud- S350110<br/>Main Decoration Blue Left- S3501BL<br/>Main Decoration Blue Right- S3501BR<br/>Main Decoration Red Left- S3501RL<br/>Main Decoration Red Right- S3501RR</p> | <p>28. Rear Shroud- S350111<br/>Lifting Handle- S35011FH<br/>Rear Decoration Blue Left- S35011B-L<br/>Rear Decoration Blue Right- S35011B-R<br/>Rear Decoration Red Left- S35011R-L<br/>Rear Decoration Red Right- S35011R-R</p> <p>29. Frame Contact Front- S31056HD<br/>Frame Contact Rear- S31057HD</p> <p>30. Frame Lock Handle- S350169716</p> <p>31. Tension Knob- S350169715</p> <p>32. Front Wheel Assembly- S350100-4HD<br/>Front Wheel Brg (pr)- S350100B-4HD</p> <p>33. Rear Wheel Assembly- S31132B-HD</p> <p>34. Controller (CTE)- S31008GT-HD<br/>Controller (S-Drive)- C10-067-00200 *<br/><b>* After Serial # (21)2W1801100007</b></p> <p>35. Wire Harness (CTE)- S31048-HD<br/>Wire Harness (S Drive)- S18-034-00400</p> <p>36. Battery Pack Assembly- S350169707-HD<br/>Battery Case Only- S350169706-HD<br/>Battery (need 2)- LRM412123</p> <p>37. Controller Cover- S350113</p> <p>38. Anti-tip Wheel- S31026</p> <p>39. Mud Flap Left- S35048MFL<br/>Mud Flap Right- S35048MFR</p> <p>40. Battery Charger- LRM302111</p> <p>41. Motor-Transaxle Assembly- S31125HD<br/>Motor-Brake- S31031-HD<br/>Transaxle- S350112-HD<br/>Transaxle Bracket- S350112BKT-HD<br/>Free Wheel Knob- S31031K<br/>Motor Axle Key- 29002W7011</p> <p>42. Battery Contact- S31060</p> <p>43. Bat. Box Chrgr Port- S350169706-HDCP</p> <p>44. Armrest Knob- S31052</p> <p>45. Front-Rear Axle Bolt- S350112AN</p> |
|---------------------------------------------------------------------------------------------------------------------------------------------------------------------------------------------------------------------------------------------------------------------------------------------------------------------------------------------------------------------------------------------------------------------------------------------------------------------------------------------------------------------------------------------------------------------------------------------------------------------------------------------------------------------------------------------------------------------------------------------------------------------------------------------------------------------------------------------------------------------------------------------------------------------------------------------------------------------------------------------------------------------------------------------------------------------------------------------------------------------------------------------------------------------------------------------------------------------------------------------------------------------------------------------------------------------------------------------------------------------------------------------------------------------|-----------------------------------------------------------------------------------------------------------------------------------------------------------------------------------------------------------------------------------------------------------------------------------------------------------------------------------------------------------------------------------------------------------------------------------------------------------------------------------------------------------------------------------------------------------------------------------------------------------------------------------------------------------------------------------------------------------------------------------------------------------------------------------------------------------------------------------------------------------------------------------------------------------------------------------------------------------------------------------------------------------------------------------------------------------------------------------------------------------------------------------------------------------------------------------------------------------------------------------------------------------------------------------------------------------------------------------------------------------------------------------------------------------------|

[1] When stock is gone part is no longer available.