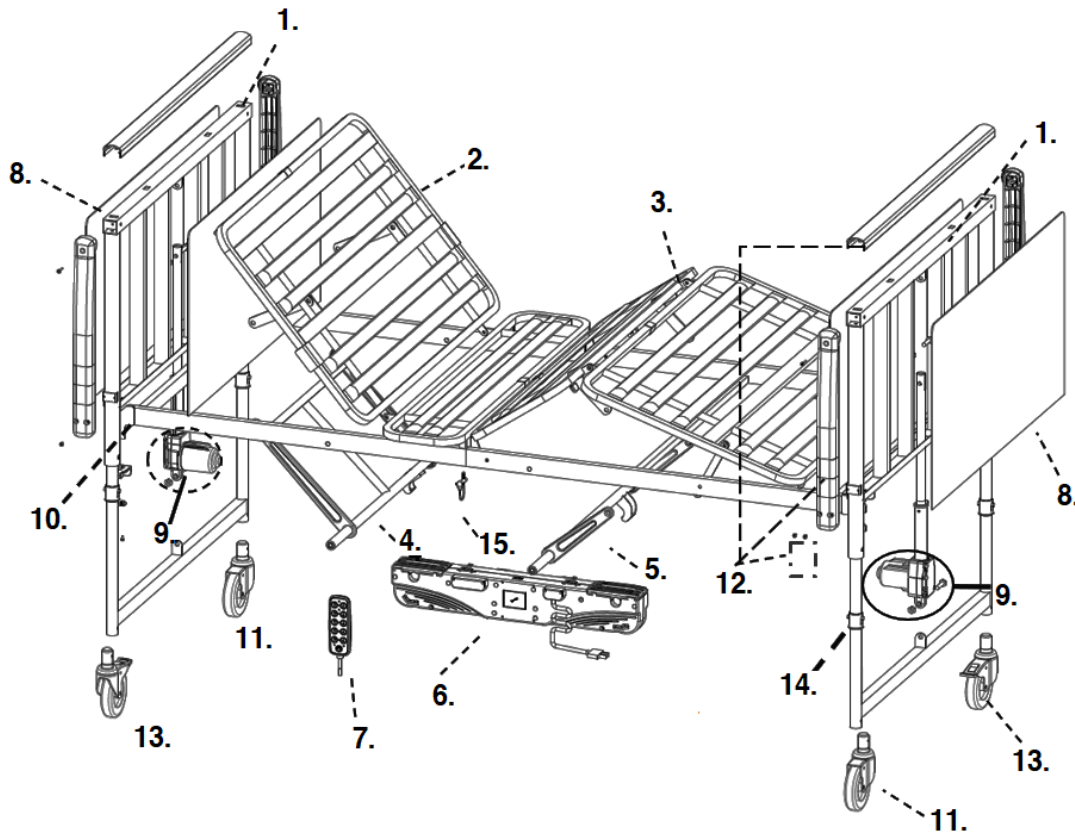


15300LW



1. Head/Foot Board (ea)- 15307LWUBE
2. Head Frame- 15305LW-H
3. Foot Frame- 15306LW-F
4. Head Actuator Bar- 15300LW-HAB
5. Foot Actuator Bar- 15300LW-FAB
6. Dual Motor- 15300LWMO
7. Hand Pendant- 15300LW-HC
8. Head/Foot Panels (pr)- 15300LW-BEPL
9. Hi/Lo Motor- 15300LW-HL
10. Frame Lock & Hardware- 15561-02
11. Caster w/o Lock- 15300LW-C
12. Bed End Frame & Hardware- 15300LW-BF
13. Caster with Lock- 15300LW-CL
14. Plastic Leg Collar (pr)- 153023LW-LC
15. Frame Clip W/Strap- 15560-12