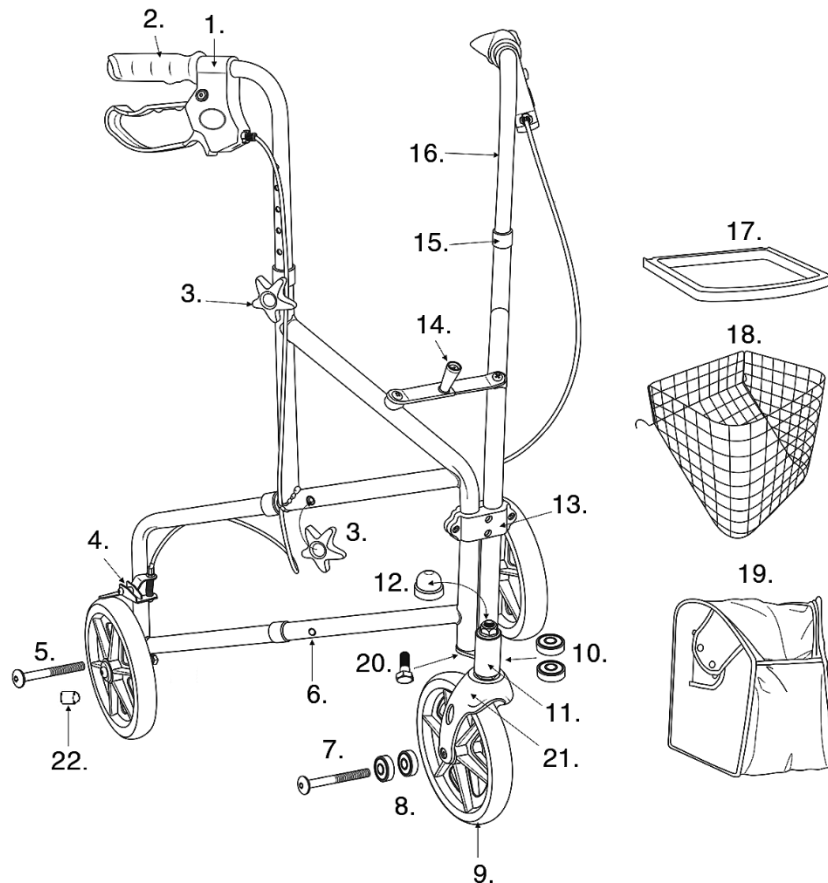


10289



- | | |
|---|--|
| 1. Hand Brake & Cable Left- 9503E17101-L
Hand Brake & Cable Right- 9503E17101-R | 11. Lower Frame Pivot- 9503e17114 |
| 2. Handgrip Left- 950330039901
Handgrip Right- 950330049901 | 12. Dust Cap- STDS1051
Substitute- 1992M-17 |
| 3. Height Adjustment Knobs (pr)- 9503E17103
Substitute (ea)- 10208KN | 13. Upper Pivot Assembly- 1992M-05
Roll Pin- 1992M-12 |
| 4. Wheel Lock Left- 9503E17104
Substitute (ea)- 1992M-15
Wheel Lock Right- 1992M-16 | 14. Folding Hinge Assembly- 9503E17112
Substitute- 1992M-18 |
| 5. Rear Axle - 1992M-14 | 15. Anti-Rattler- 950000869901 [1] |
| 6. Frame Locking Button- [2] | 16. Handle Black- 9503E1028901-B [1] |
| 7. Caster Axle- 1992M-07 | 17. Tray- 816T |
| 8. Wheel Bearing- STDS1011 | 18. Basket- 815B |
| 9. Wheel Assembly- 9503E17108 [1]
Substitute Front (ea)- 1992M-08
Substitute Rear- 1992M-15 | 19. Tote Bag with Snaps- [3]
Tote Bag with Zipper- 808N |
| 10. Fork Stem Bearing- STDS1060 | 20. Lower Frame Pivot Bolt- 1992M-11 |
| | 21. Fork - 1992M-09 |
| | 22. Axle Cap- STDS001000 |

[1] When stock is gone the part is no longer available.

[2] Stock is gone the part is no longer available.

[3] Only tote with a zipper is available.