

## lifetime limited warranty

Your Drive branded product is warrantied to be free of defects in materials and workmanship for the lifetime of the product for the original consumer purchaser.

This device was built to exacting standards and carefully inspected prior to shipment. This Lifetime Limited Warranty is an expression of our confidence in the materials and workmanship of our products and our assurance to the consumer of years of dependable service.

This warranty does not cover device failure due to owner misuse or negligence, or normal wear and tear. The warranty does not extend to non-durable components, such as rubber accessories, casters, and grips, which are subject to normal wear and need periodic replacement.

If you have a question about your Drive device or this warranty, please contact an authorized Drive dealer.



© 2014 Medical Depot, Inc. All rights reserved.  
Drive is a trademark of Medical Depot, Inc.  
Port Washington N.Y. 11050 USA Made in China

overbed table  
with plastic top

item #13069

[www.drivemedical.com](http://www.drivemedical.com)

A large, vertical version of the Drive logo, with the word "drive" in white lowercase letters on a dark blue background. A small yellow square is above the "i", and a trademark symbol (TM) is at the top right.

[www.drivemedical.com](http://www.drivemedical.com)

A large, vertical version of the Drive logo, with the word "drive" in white lowercase letters on a dark blue background. A small yellow square is above the "i", and a trademark symbol (TM) is at the top right.

# assembly instructions

1. Remove contents from carton and lay top board (1) upside down on flat surface. (Figure 1)

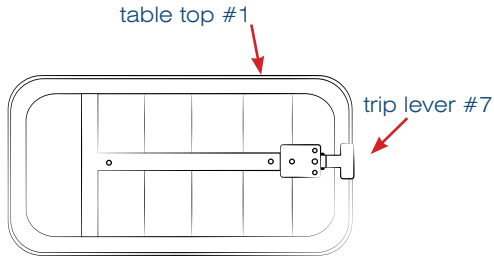
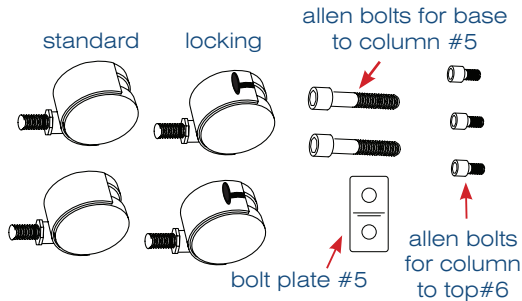


figure 1

castors #4



2. Take column assembly (2) and mount onto bottom of top board (1) and secure with three Allen bolts (6). (Figure 2)

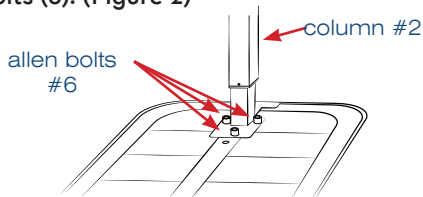


figure 2

3. Screw castors (4) into base (3) making sure the locking castors are opposite to the column. (Figure 3)

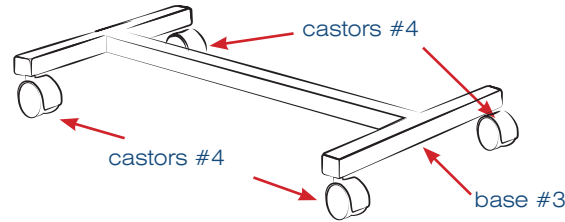


figure 3

4. Mount base (3) to column assembly (2) using bolt plate and Allen bolts (5). (Figure 4)

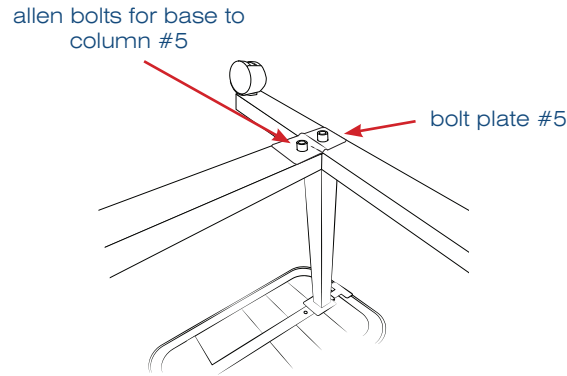
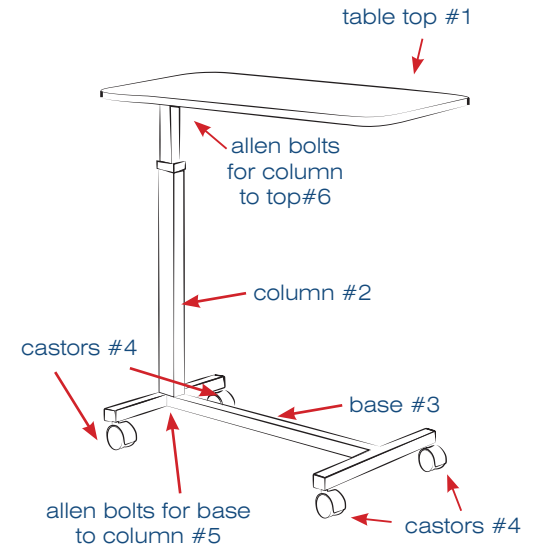


figure 4



# operating instructions

1. To raise top to desired height, apply light pressure upward at any point under table top.
2. To lower, squeeze trip lever (7) up towards top and push down at column to desired height. Do not put pressure on tabletop end that is opposite the column, column assembly will lock upon release of trip lever (7).