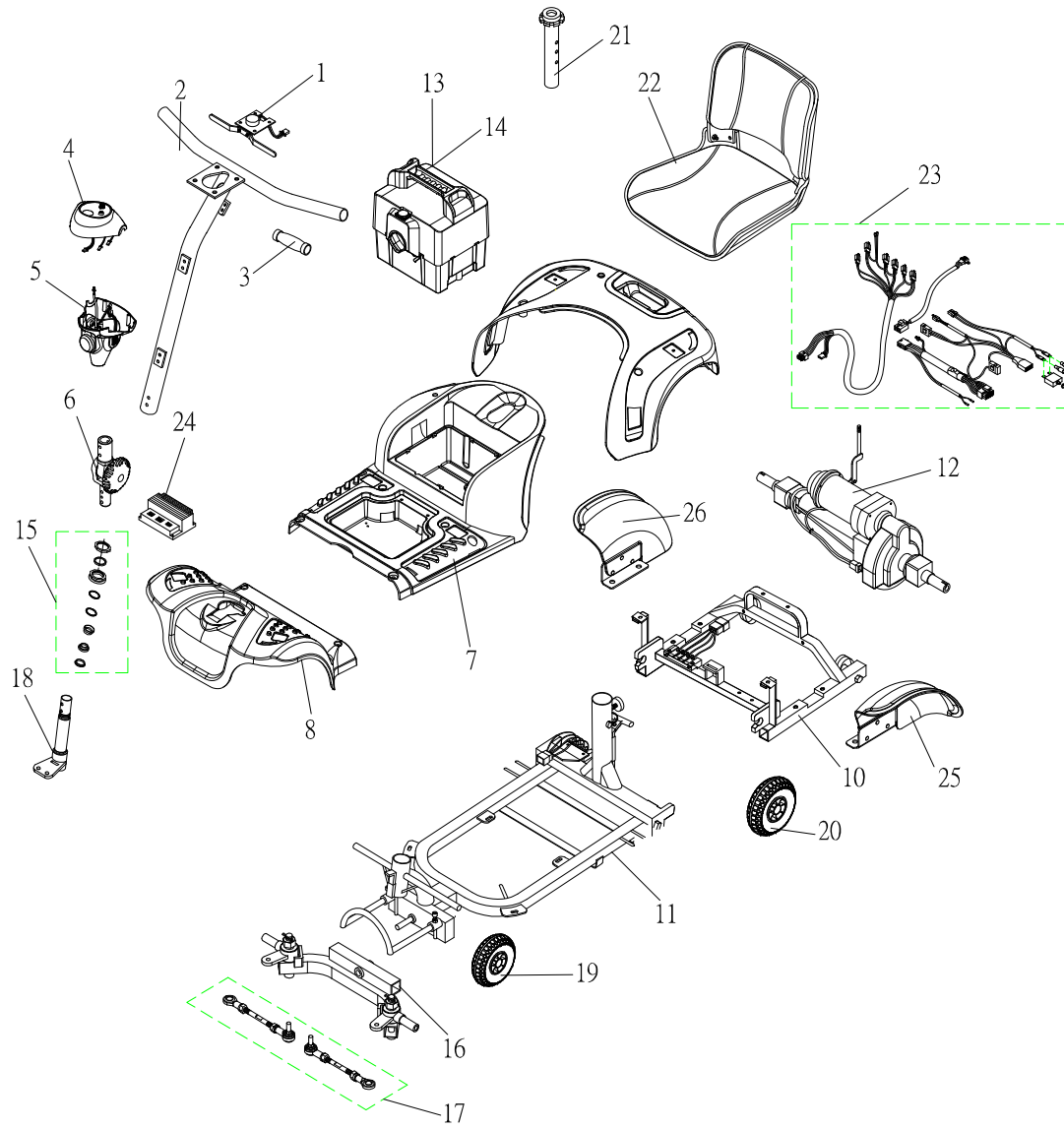


T4GC9 Parts List (2012/09/21)

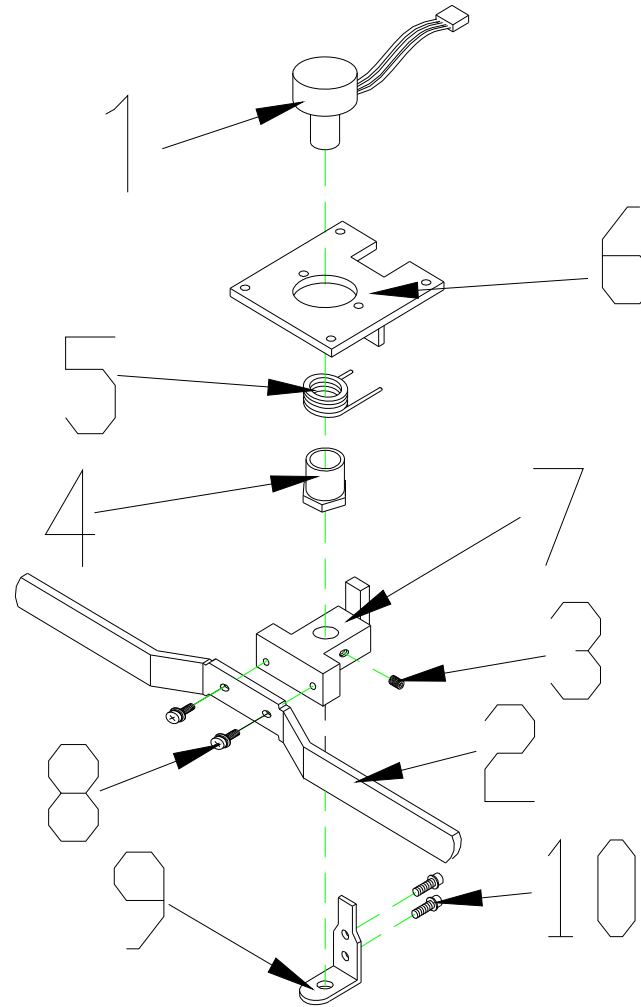


T4GC9 售服零件表

T4GC9 Parts List (2012/09/21)

Fig&Index NO.	Parts No.	Parts Name		QTY/CAR	客戶別 AM06	Remark
		Description	Chinese			
1	S12-009-00901	SPEED DIAL ASS'Y	加速器總成(拉式)	1組		
2	S02-034-00100	T TYPE HANDLE BAR ASS'Y	T型把手組-T4GC(拉式, 不含把手膠套)	1組	v	
3	S26-001-00100	GRIP ASS'Y	把手膠套組	1組	v	
4	S08-034-01000	UPPER COVER ASS'Y,HAND BAR,W/I LABEL	二代車頭上蓋總成-DRIVE	1組	v	
5	S08-009-00764	COVER ASS'Y,LOWER , HAND BAR	車頭下蓋總成(含鎖頭組)黑色噴漆	1組		
6	S02-001-00501	TILLER SWIVEL ASS'Y	轉折器總成	1組	v	
7	S08-034-00211	MAIN SHROUD ASS'Y , RED11	T4G主體車殼總成(紅)	1組	v	
7	S08-034-00251	MAIN SHROUD ASS'Y , BLUE51	T4G主體車殼總成(藍)	1組	v	
8	S08-034-00311	FRONT SHROUD ASS'Y ,RED11,T4G	T4G前車殼總成(紅)	1組	v	
8	S08-034-00351	FRONT SHROUD ASS'Y,BLUE51,T4G	T4G前車殼總成(藍)	1組	v	
9	S08-035-00211	REAR SHROUD ASS'Y ,RED11	T3G後車殼總成(紅)	1組	v	
9	S08-035-00251	REAR SHROUD ASS'Y , BLUE 51	T3G後車殼總成(藍)	1組	v	
10	S01-034-00100	FRAME,REAR SECTION ASS'Y	後車架總成(快拆式)	1組	v	
11	S01-034-00200	FRAME,FRONT SECTION ASS'Y	T4DG9前車架總成(快拆式)	1組	v	
12	S09-034-00500	REAR DRIVE ASS'Y(W/I BOLT,NUT ETC.),7 μ M 4700RPM	T4GC9馬達/變速箱總成(含離合手柄/變速箱固定片)	1組	v	
13	S17-034-00100	BATTERY BOX ASS'Y ,W/O BATTERY	20AH電池盒總成-不含電池	1組	v	
14	S17-034-00200	BATTERY BOX ASS'Y ,W/I 20AH BATTERY	20AH電池盒總成-含20AH電池	1組	v	
15	S02-001-00601	REGULAR BEARING BALL SET	珠碗軸承組	1組	v	
16	S03-034-00100	FRONT FORK ASS'Y	T4D前叉總成	1組	v	
17	S03-034-00200	CONNECTING ROD ASS'Y	T4G9導向連桿總成	1組	v	
18	S03-010-00201	L TYPE STEERING AXLE ASS'Y	L型轉向軸總成	1組	v	
19	S05-034-00700	FRONT TIRE ASS'Y,200/50,BLACK	9"PU發泡胎前輪組-黑(塑膠輪圈)	1組	v	
20	C06-035-00200	REAR PU FOAMED TIRE ,9" ,BLACK	9"發泡填充胎-黑胎(後輪塑膠輪圈)	1	v	
21	C07-034-00503	SEAT POST	T4G9座椅撐座-含撐座襯套	1		
22	S07-035-00400	SEAT ASS'Y W/I SEAT PLATE /ARM REST	994 PISH ON座椅總成-含底板/扶手	1		
23	S18-034-00200	WIRE HARNESS ASS'Y	T4GC9主配線總成(含各線組)	1	v	
24	C10-005-00500	CONTROLLER,CTE 70A	中端控制器(70A)	1	v	
25	S08-034-00700	FENDER ASS'Y , L	T4G9擋泥板總成-左	1組		
26	S08-034-00800	FENDER ASS'Y , R	T4G9擋泥板總成-右	1組		
27	C23-067-00100	PLACTIC BASKET	M4JRH塑膠置物籃	1		
28		ACCESSORIES	附件			

T4GC9 Parts List (2012/09/21)

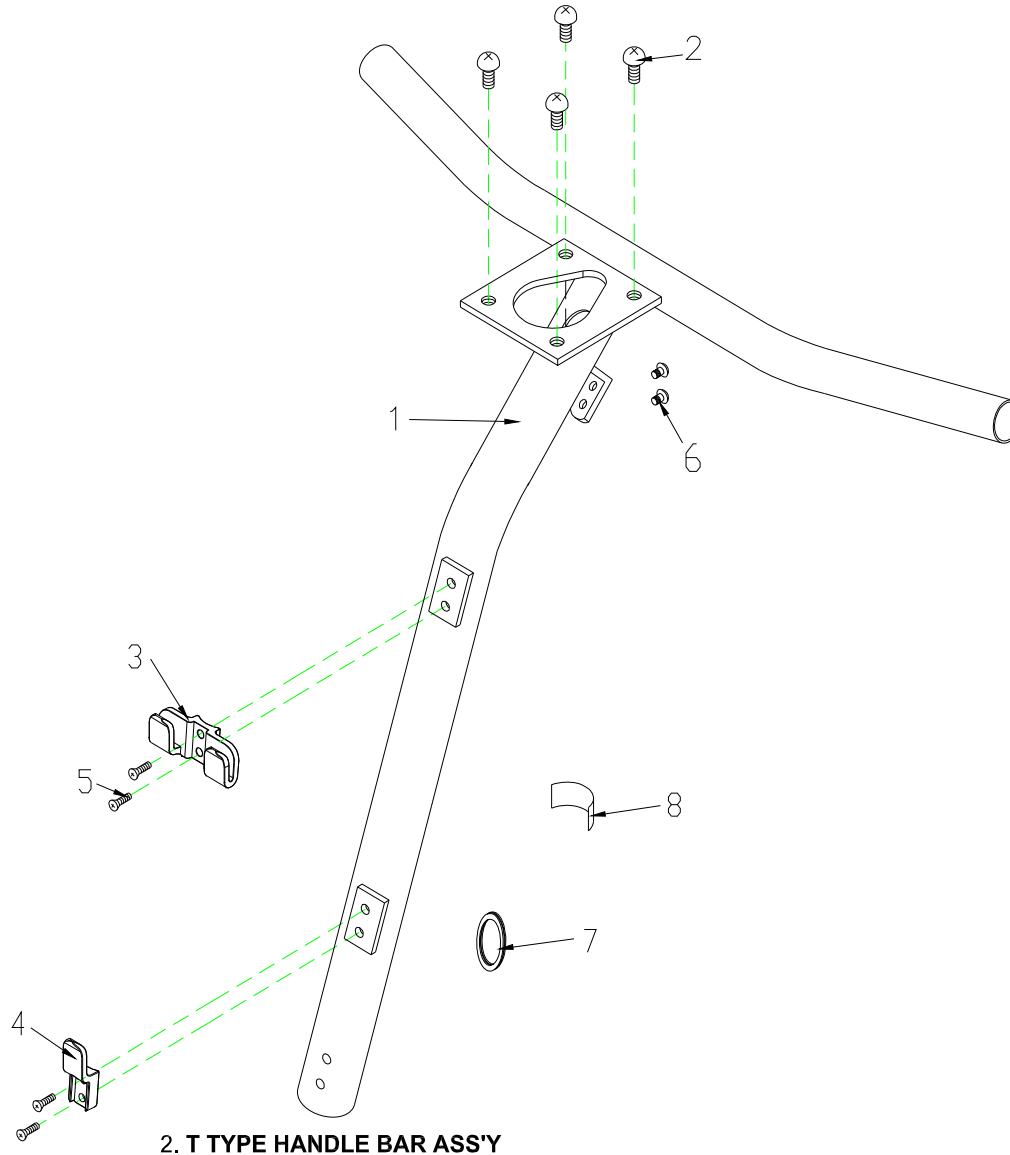


1. SPEED DIAL ASS'Y

T4GC9 售服零件表

T4GC9 Parts List (2012/09/21)						
Fig&Index NO.	Parts No.	Parts Name		QTY/CAR	客戶別 AM06	Remark
		Description	Chinese			
1	S12-009-00901	SPEED DIAL ASS'Y	加速器總成(拉式)	1組		
1-1	C12-001-01401	VR ONLY	加速器	1		
1-2	C12-009-00900	SPEED LEVER	加速器撥桿-T3D二代拉式車頭	1		
1-3	9358040040753	LOCKING SCREW,4x4	止付螺絲4x4	2		
1-4	C12-001-00101	NUT	加速器六角螺帽	1		
1-5	C12-001-00300	TORSION SPRING,SPEED LEVER	加速器彈簧	1		
1-6	C12-001-00403	FIX PLATE,SPEED LEVER	加速器固定片	1		
1-7	C12-009-00700	HOLDER,SPEED LEVER	加速器撥桿座	1		
1-8	9004040120704	BOLT,M4x12L	圓頭十字螺絲3合1M4x12L	2		
1-9	9004030040504	BOLT,M3x4L	圓頭十字螺絲M3X4L(五彩)	2		
1-10	C12-001-01501	HOLDER,SPEED LEVER COMP.	加速器定位片	1		

T4GC9 Parts List (2012/09/21)



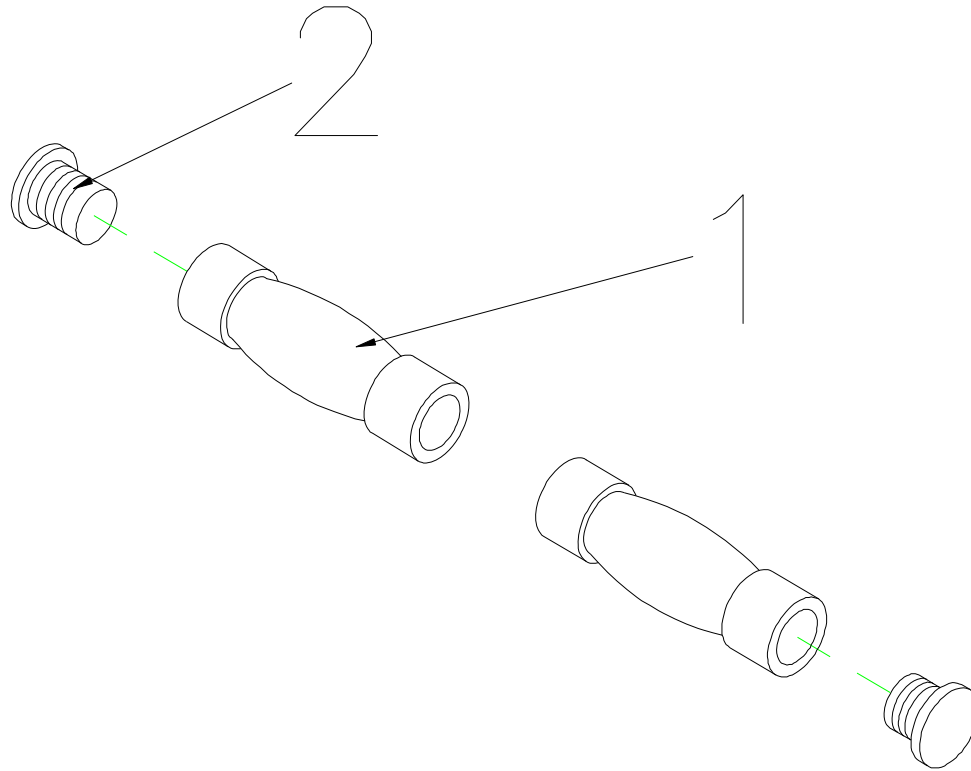
2. T TYPE HANDLE BAR ASS'Y

T4GC9 售服零件表

T4GC9 Parts List (2012/09/21)

Fig&Index NO.	Parts No.	Parts Name		QTY/CAR	客戶別 AM06	Remark
		Description	Chinese			
2	S02-034-00100	T TYPE HANDLE BAR ASS'Y	T型把手組-T4GC(拉式, 不含把手膠套)	1組	v	
2-1	C02-034-00100	T TYPE HANDLE BAR	T型把手,T4GC(拉式)	1	v	
2-2	9004030080504	BOLT,M3x8L	圓頭十字螺絲M3X8(五彩)	4	v	
2-3	C26-009-01601	BASKET HOLDER,PAINTED,UPPER	置物籃吊片(上段)	1	v	
2-4	C26-009-01700	BASKET HOLDER,PAINTED,LOWER	置物籃吊片(下段)	1	v	
2-5	9010060151002	Blot,M6x15L	平頭十字螺絲M6x15(鍍黑鋅)	4	v	
2-6	9005060101002	CR ROUND HD SCREW,M6X10L	大扁螺絲M6x10	2	v	
2-7	C02-032-00202	PLUG,WIRE	T把穿線孔保護套	1	v	
2-8	C27-009-00200	LABEL , HANDLE BAR WARNING	T3D把手傾倒警示貼紙	1	v	

T4GC9 Parts List (2012/09/21)

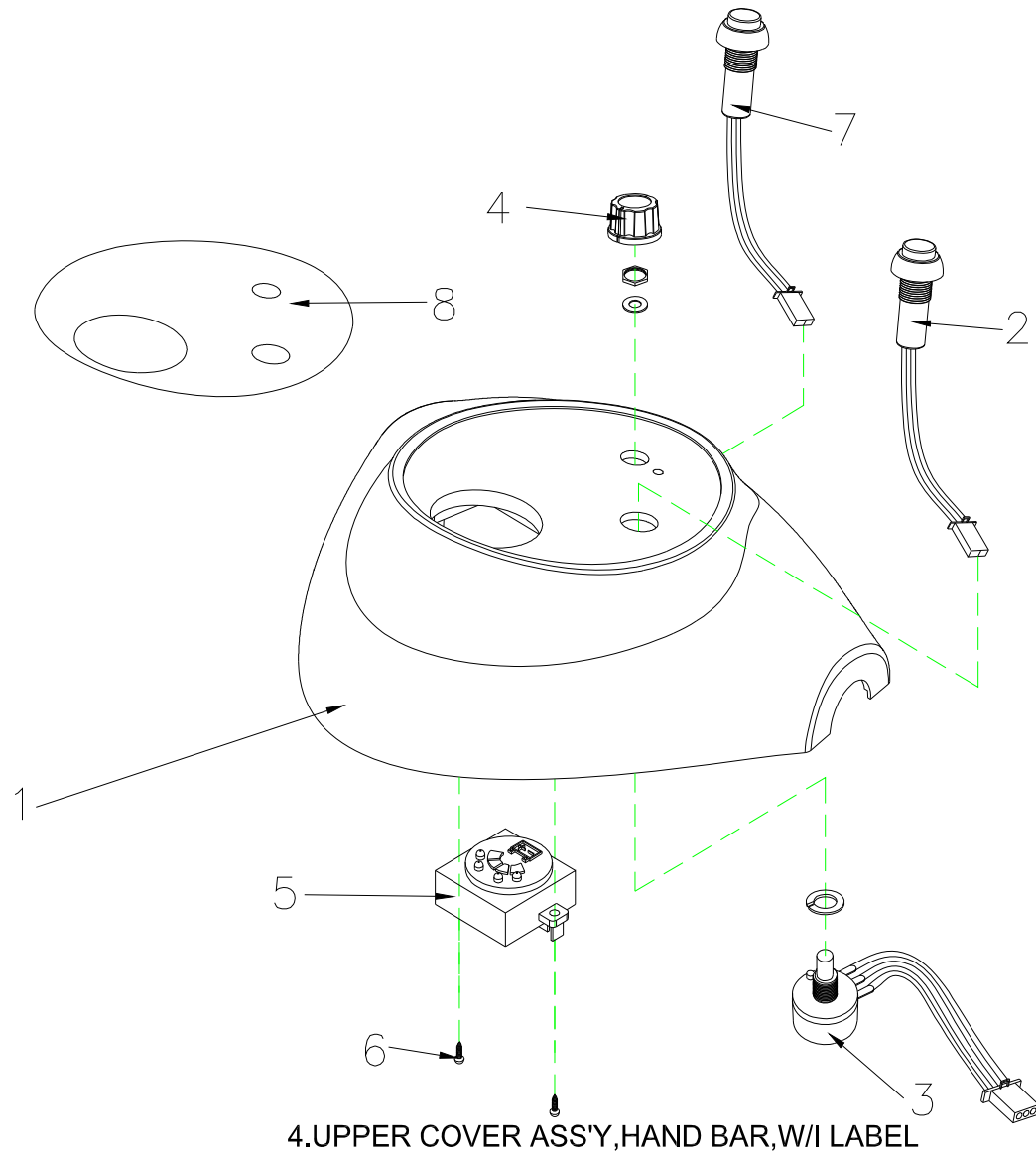


3. GRIP ASS'Y

T4GC9 售服零件表

T4GC9 Parts List (2012/09/21)						
Fig&Index NO.	Parts No.	Parts Name		QTY/CAR	客戶別	Remark
		Description	Chinese		AM06	
3	S26-001-00100	GRIP ASS'Y	把手膠套組	1組	v	
3-1	C20-001-10100	GRIP	T3B手把膠套	2	v	
3-2	C22-001-10100	PLUG,GRIP	管塞	2	v	

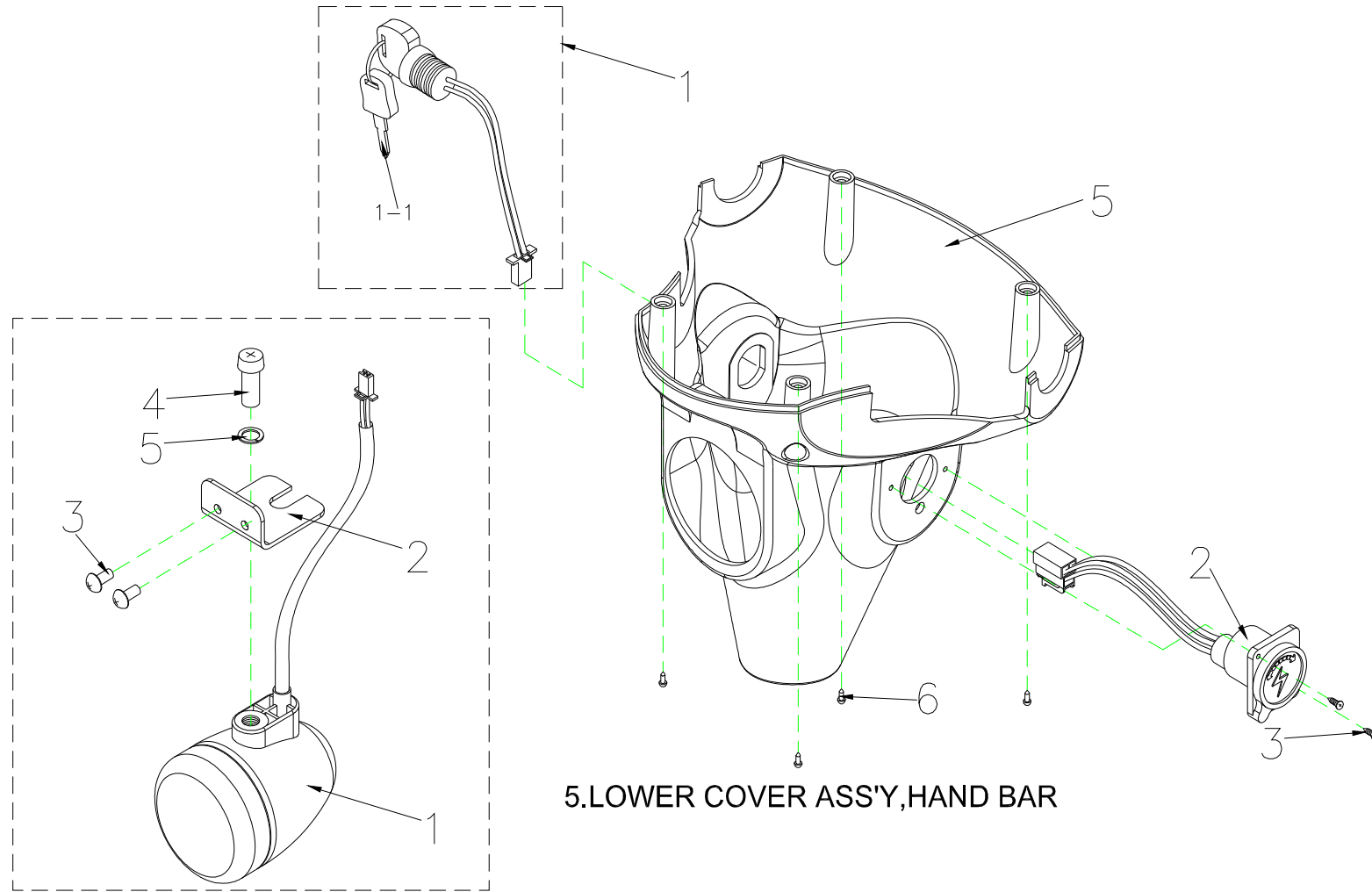
T4GC9 Parts List (2012/09/21)



T4GC9 售服零件表

T4GC9 Parts List (2012/09/21)						
Fig&Index NO.	Parts No.	Parts Name		QTY/CAR	客戶別 AM06	Remark
		Description	Chinese			
4	S08-034-01000	UPPER COVER ASS'Y,HAND BAR,W/I LABEL	二代車頭上蓋總成-DRIVE	1組	v	
4-1	C08-009-00962	UPPER COVER,BLACK	二代車頭上蓋	1	v	
4-2	C16-001-10200	SWITCH,HORN,YELLOW,JS722A	喇叭開關(JS722A YELLOW)	1	v	
4-3	C11-001-00700	SPEED DIAL COMP.	限速器(30K歐姆)	1	v	
4-4	C26-009-00200	SPEED ADJUST,JK-901C	限速器轉鈕 (JK-901C)	1	v	
4-5	C11-045-00102	BATTERY INDICATOR	LED殘電錶	1	v	
4-6	9011030080502	BOLT,M3x8L	圓頭十字自攻螺絲M3x8L	2	v	
4-7	C16-001-10500	SWITCH,LAMP,BLUE,JS722B	大燈開關(JS722B,BLUE)	1	v	
4-8	C27-034-01500	SPEED LABEL,DRIVE	T3D二代車頭上蓋面板貼紙-DRIVE	1	v	

T4GC9 Parts List (2012/09/21)

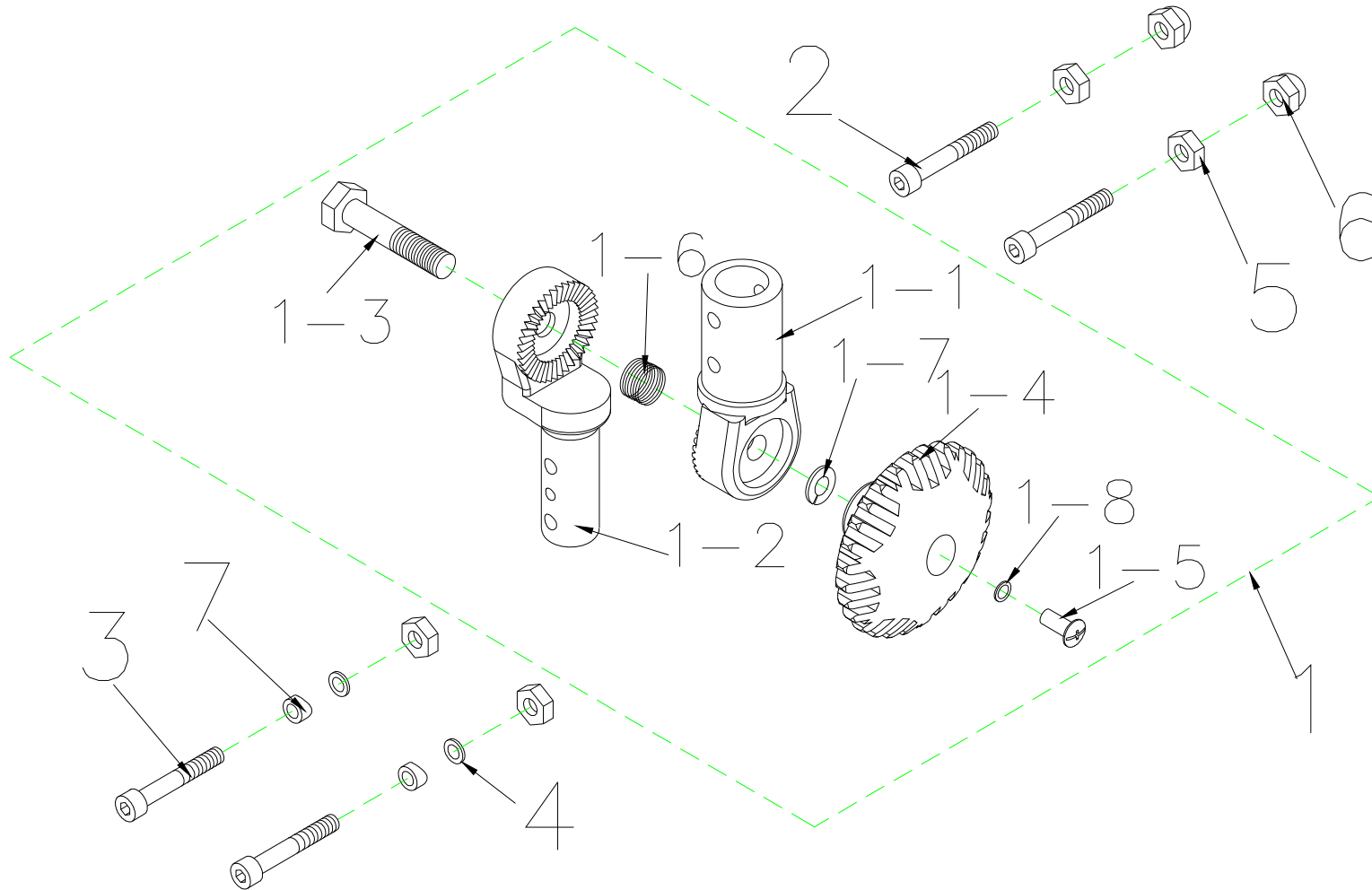


T4GC9 售服零件表

T4GC9 Parts List (2012/09/21)

Fig&Index NO.	Parts No.	Parts Name		QTY/CAR	客戶別 AM06	Remark
		Description	Chinese			
5	S08-009-00764	COVER ASS'Y,LOWER , HAND BAR	車頭下蓋總成(含鎖頭組)黑色噴漆	1組		
5-1	C18-009-00501	IGNITION SWIITCH ASS'Y	鎖頭組(136)	1		
5-1-1	C37-009-01100	KEY	鑰匙(136)	1		
5-2	C12-051-00200	CHARGER SOCKET ASS'Y	充電座線組(加閃電)線長200mm長	1		
5-3	9014250080002	BOLT,φ2.5x8L	平頭十字自攻尖尾螺絲φ2.5x8L	2		
5-4	S13-023-00100	FRONT LAMP ASS'Y	前大燈總成	1組		
5-4-1	C13-009-00100	FRONT LAMP	T3D二代車頭大燈	1		
5-4-2	C13-009-00201	HOLDER,FRONT LAMP	T3D二代車頭大燈固定片	1		
5-4-3	9005040120702	CR ROUND HD SCREW,M4X12L	大扁螺絲M4*12L(鍍黑鋅)	2		
5-4-4	9004060201003	BOLT,M6x20L	圓頭十字螺絲-M6x20(ED)	1		
5-4-5	9211060150102	SPRING WASHER,M6	彈簧華司-M6	1		
5-5	C08-009-01064	LOWER COVER,HAND BAR	二代車頭下蓋 (烤漆霧面黑)	1		
5-6	9011350150004	BOLT,M3.5x15	圓頭十字自攻螺絲M3.5x15(五彩)	4		

T4GC9 Parts List (2012/09/21)

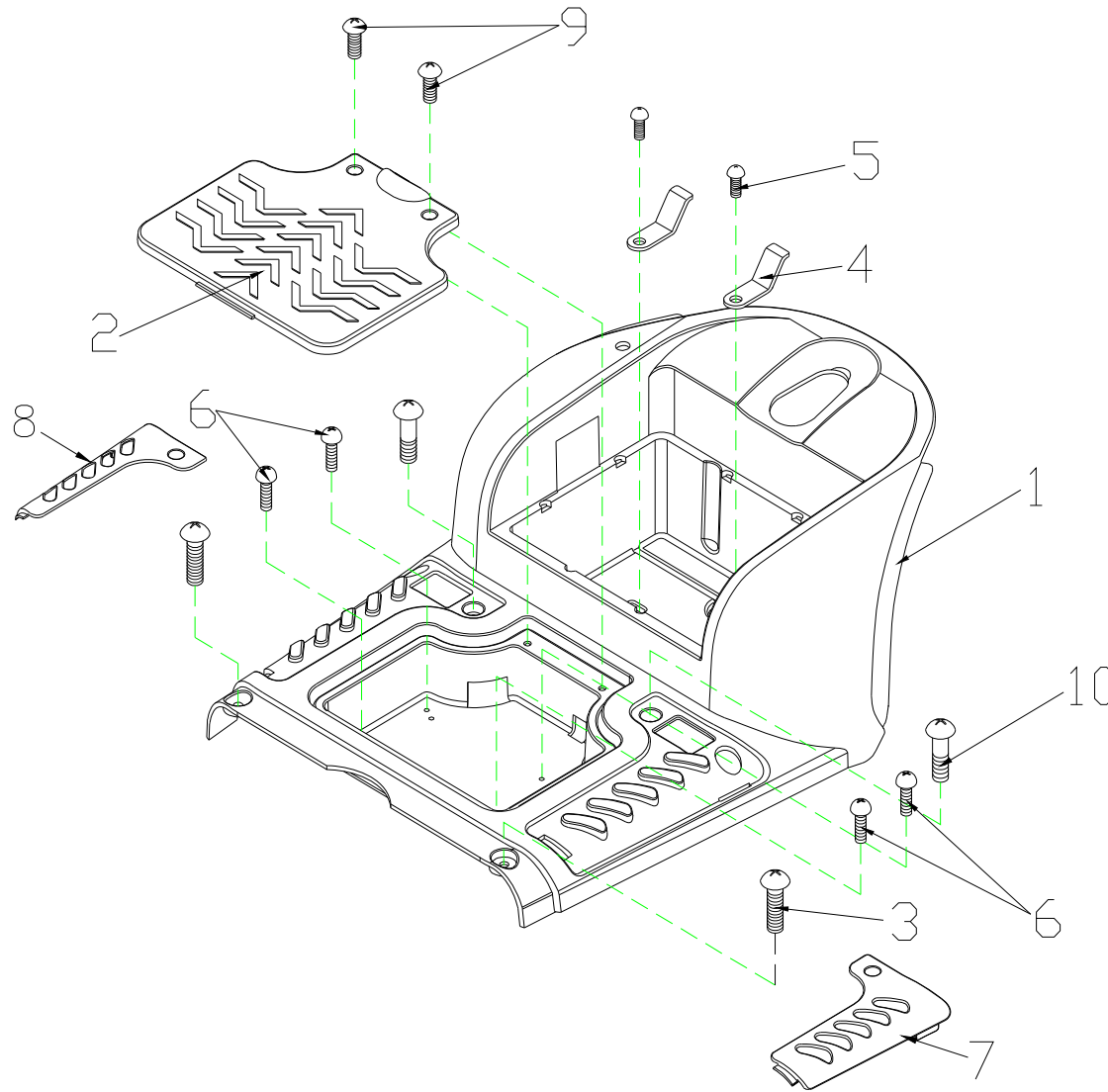


6. TILLER SWIVEL ASS'Y

T4GC9 售服零件表

T4GC9 Parts List (2012/09/21)						
Fig&Index NO.	Parts No.	Parts Name		QTY/CAR	客戶別 AM06	Remark
		Description	Chinese			
6	S02-001-00501	TILLER SWIVEL ASS'Y	轉折器總成	1組	v	
6-1	C02-009-01501	TILLER SWIVEL ASS'Y	T3D上下轉折器組套件	1	v	
6-1-1	C02-009-00501	TILLER SWIVEL,UPPER	T3D上轉折器	1	v	
6-1-2	C02-009-00603	TILLER SWIVEL,LOWER	T3D下轉折器	1	v	
6-1-3	9036100501503	BOLT,TILLER,M10x28L	轉折器固定螺絲半牙M10x50牙28L	1	v	
6-1-4	C02-026-00100	NUT,TILLER SWIVEL	新型轉折器旋鈕	1	v	
6-1-5	9005050120802	CR ROUND HD SCREW,M5X12L	大扁螺絲M5x12	1	v	
6-1-6	C02-009-00700	SPRING,TILLER SWIVEL	轉折器壓簧長20外徑14.5線徑2	1	v	
6-1-7	9211100200172	SPRING WASHER , M10	彈簧華司-M10	1	v	
6-1-8	9211050100802	SPRING WASHER , M5	彈簧華司-M5	1	v	
6-2	9035060451003	BOLT,M6X45	中碳內六角螺絲M6x45(ED)	2	v	
6-3	9035060401003	BOLT,M6X40	中碳內六角螺絲M6x40(ED)	2	v	
6-4	9250060100193	WASHER,M6	圓弧華司-M6	2	v	
6-5	9201060601003	LOCK NUT,M6	M6尼帽(ED)	4	v	
6-6	9205060951003	CAP NUT,M6	蓋形螺帽M6xP1.0	2	v	
6-7	C02-009-01400	WASHER	鴨嘴華司	2	v	

T4GC9 Parts List (2012/09/21)



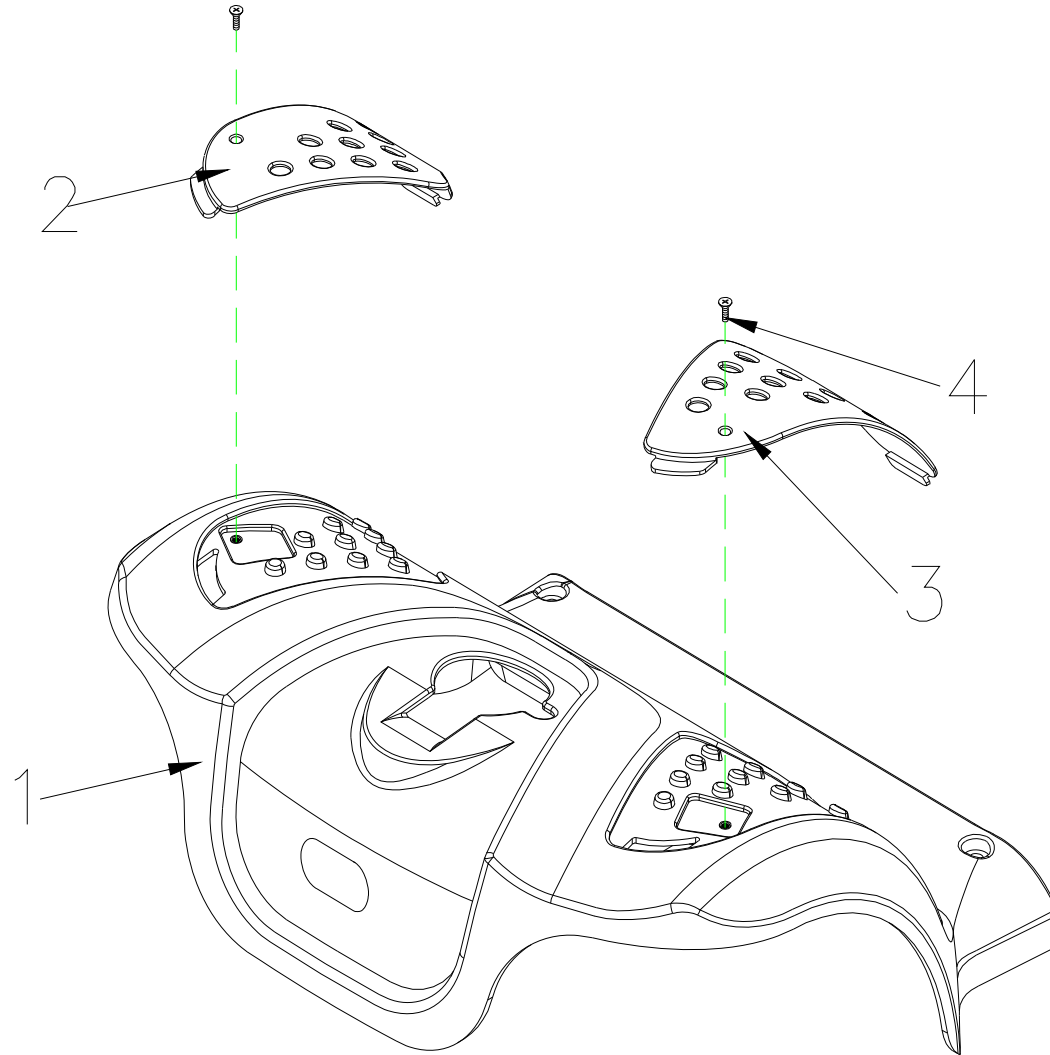
7.FRONT SHROUD ASS'Y

T4GC9 售服零件表

T4GC9 Parts List (2012/09/21)

Fig&Index NO.	Parts No.	Parts Name		QTY/CAR	客戶別 AM06	Remark
		Description	Chinese			
7	S08-034-00211	MAIN SHROUD ASS'Y , RED11	T4G主體車殼總成(紅)	1組	v	
7-1	C08-035-00103	FRONT SHROUD	T3G前車殼	1	v	
7-2	C08-035-00900	COVER,CONTROLLER	T3G控制器上蓋 (原射出素材黑)	1	v	
7-3	9005060201002	CR ROUND HD SCREW,M6X20L	大扁頭十字螺絲(黑)M6X20L	2	v	
7-4	C12-009-00100	U-TYPE SPRING NUT	導電彈片	2	v	
7-5	9005040060702	CR ROUND HD SCREW,M4X6L	大扁十字螺絲M4x6L(鍍鋅)	2	v	
7-6	9034040250004	CR ROUND HD SCREW,M4X25L	大扁自攻螺絲M4x25	4	v	
7-7	C08-035-00211	DECORATION,FRONT SHROUD,LH,RED11	T3G前車殼飾板-左(紅)	1	v	
7-8	C08-035-00311	DECORATION,FRONT SHROUD,RH,RED11	T3G前車殼飾板-右(紅)	1	v	
7-9	9011040100003	BOLT,M4x10L,ED	大扁十字自攻螺絲M4x10(ED)	2	v	
7-10	9004060201003	BOLT,M6x20L	圓頭十字螺絲(黑)M6X20L	2	v	
7	S08-034-00251	MAIN SHROUD ASS'Y , BLUE51	T4G主體車殼總成(藍)	1組	v	
7-1	C08-035-00103	FRONT SHROUD	T3G前車殼	1	v	
7-2	C08-035-00900	COVER,CONTROLLER	T3G控制器上蓋 (原射出素材黑)	1	v	
7-3	9005060201002	CR ROUND HD SCREW,M6X20L	大扁頭十字螺絲(黑)M6X20L	2	v	
7-4	C12-009-00100	U-TYPE SPRING NUT	導電彈片	2	v	
7-5	9005040060702	CR ROUND HD SCREW,M4X6L	大扁十字螺絲M4x6L(鍍鋅)	2	v	
7-6	9034040250004	CR ROUND HD SCREW,M4X25L	大扁自攻螺絲M4x25	4	v	
7-7	C08-035-00251	DECORATION,FRONT SHROUD,LH,BLUE51	T3G前車殼飾板-左(藍)	1	v	
7-8	C08-035-00351	DECORATION,FRONT SHROUD,RH,BLUE51	T3G前車殼飾板-右(藍)	1	v	
7-9	9011040100003	BOLT,M4x10L,ED	大扁十字自攻螺絲M4x10(ED)	2	v	
7-10	9004060201003	BOLT,M6x20L	圓頭十字螺絲(黑)M6X20L	2	v	

T4GC9 Parts List (2012/09/21)

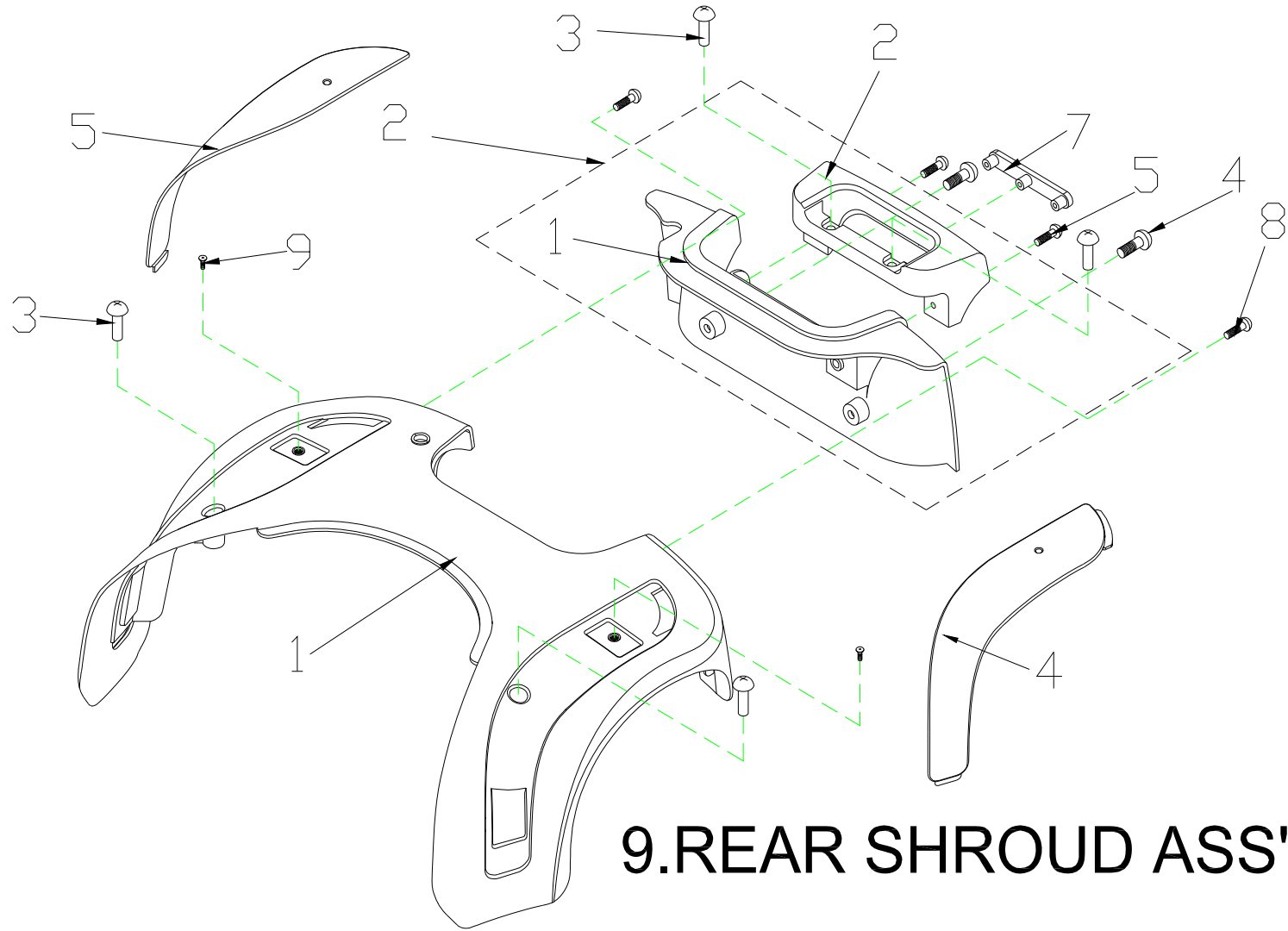


8.FRONT SHROUD ASS'Y,T4G

T4GC9 售服零件表

T4GC9 Parts List (2012/09/21)						
Fig&Index NO.	Parts No.	Parts Name		QTY/CAR	客戶別 AM06	Remark
		Description	Chinese			
8	S08-034-00311	FRONT SHROUD ASS'Y ,RED11,T4G	T4G前車殼總成(紅)	1組	v	
8-1	C08-034-00101	FRONT SHROUD,T4G	T4G前車殼(素材黑)	1	v	
8-2	C08-034-00311	DECORATION,FRONT SHROUD,RH,RED11	T4G前殼飾板(右)-紅	1	v	
8-3	C08-034-00211	DECORATION,FRONT SHROUD,LH,RED11	T4G前殼飾板(左)-紅	1	v	
8-4	9010040100708	BOLT,M4x10L,ED	平頭十字螺絲M4X10L(ED)	2	v	
8	S08-034-00351	FRONT SHROUD ASS'Y,BLUE51,T4G	T4G前車殼總成(藍)	1組	v	
8-1	C08-034-00101	FRONT SHROUD,T4G	T4G前車殼(素材黑)	1	v	
8-2	C08-034-00351	DECORATION,FRONT SHROUD,RH,BLUE51	T4G前殼飾板(右)-藍	1	v	
8-3	C08-034-00251	DECORATION,FRONT SHROUD,LH,BLUE51	T4G前殼飾板(左)-藍	1	v	
8-4	9010040100708	BOLT,M4x10L,ED	平頭十字螺絲M4X10L(ED)	2	v	

T4GC9 Parts List (2012/09/21)

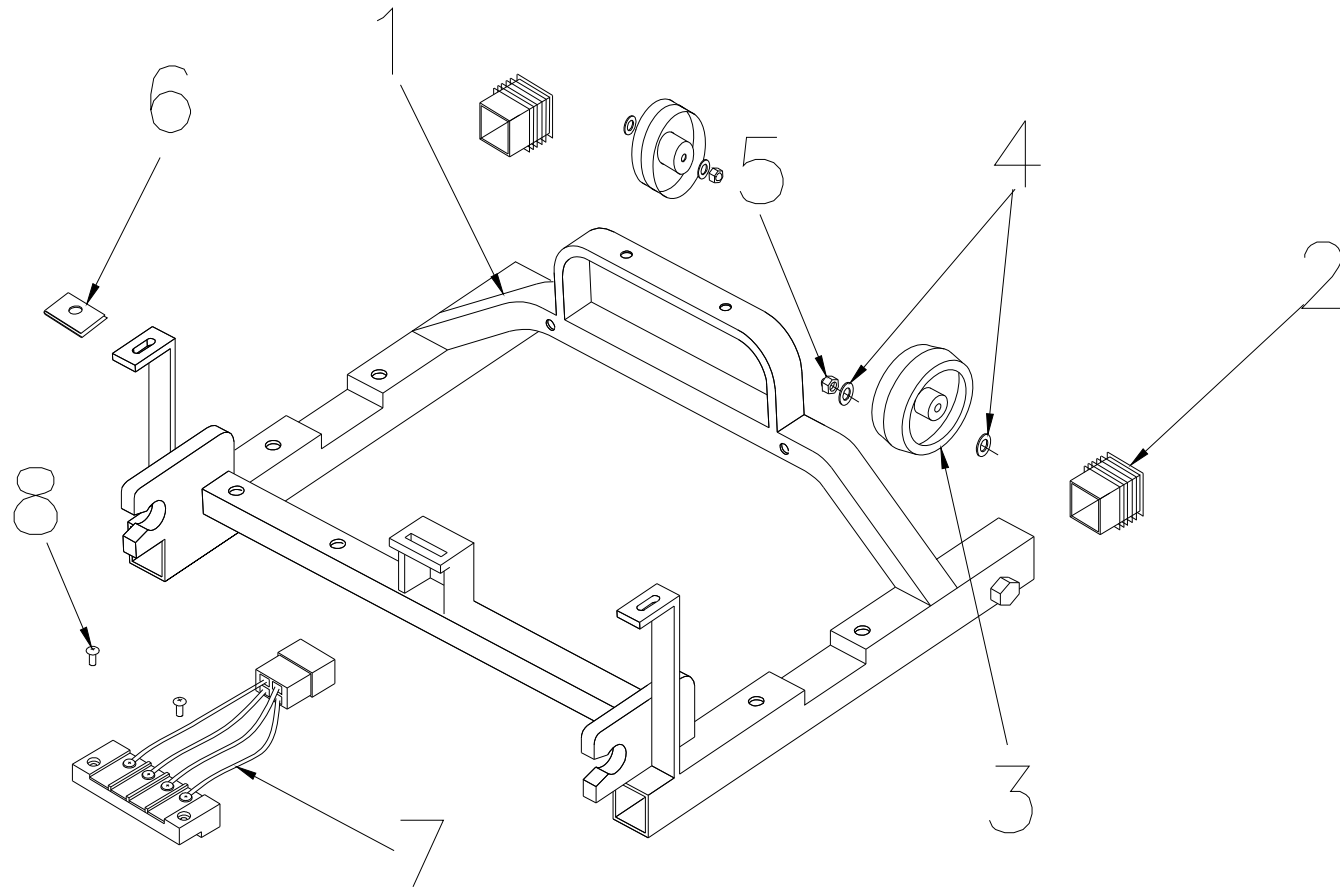


T4GC9 售服零件表

T4GC9 Parts List (2012/09/21)

Fig&Index NO.	Parts No.	Parts Name		QTY/CAR	客戶別 AM06	Remark
		Description	Chinese			
9	S08-035-00211	REAR SHROUD ASS'Y ,RED11	T3G後車殼總成(紅)	1組	v	
9-1	C08-035-00400	REAR SHROUD,BLACK	T3G後車殼(射出素材黑)	1	v	
9-2	C08-035-01300	BRECKET,REAR FRAME	T3G後提把背板組(射出灰色)	1	v	
9-2-1	C08-035-00800	BRECKET,REAR FRAME	T3G後提把背板(射出灰色)	1	v	
9-2-2	C08-035-00700	HANGER,REAR FRAME	T3G後提把(射出素材黑)	1	v	
9-3	C08-035-00511	DECORATION,REAR SHROUD,LH,RED11	T3G後車殼飾板-左(紅色)	1	v	
9-4	C08-035-00611	DECORATION,REAR SHROUD,RH,RED11	T3G後車殼飾板-右(紅色)	1	v	
9-5	9005060201002	CR ROUND HD SCREW,M6X20L	大扁頭十字螺絲(黑)M6X20L	4	v	
9-6	9004060301003	BOLT,BLACK,M6x30L	圓頭十字螺絲(黑)M6X30L	2	v	
9-7	9004040200703	BOLT,M4x20L,ED	圓頭十字螺絲3合1M4x20L(ED)	4	v	
9-8	9010040100708	BOLT,M4x10L,ED	平頭十字螺絲M4X10L(ED)	2	v	
9-9	C26-034-00201	STOP SLIPPING MAT	T3G後提把膠條	1	v	
9	S08-035-00251	REAR SHROUD ASS'Y , BLUE 51	T3G後車殼總成(藍)	1組	v	
9-1	C08-035-00400	REAR SHROUD,BLACK	T3G後車殼(射出素材黑)	1	v	
9-2	C08-035-01300	BRECKET,REAR FRAME	T3G後提把背板(射出灰色)	1	v	
9-2-1	C08-035-00800	BRECKET,REAR FRAME	T3G後提把背板(射出灰色)	1	v	
9-2-2	C08-035-00700	HANGER,REAR FRAME	T3G後提把(射出素材黑)	1	v	
9-3	C08-035-00551	DECORATION,REAR SHROUD,LH,BLUE51	T3G後車殼飾板-左(藍色)	1	v	
9-4	C08-035-00651	DECORATION,REAR SHROUD,RH,BLUE51	T3G後車殼飾板-右(藍色)	1	v	
9-5	9005060201002	CR ROUND HD SCREW,M6X20L	大扁頭十字螺絲(黑)M6X20L	4	v	
9-6	9004060301003	BOLT,BLACK,M6x30L	圓頭十字螺絲(黑)M6X30L	2	v	
9-7	9004040200703	BOLT,M4x20L,ED	圓頭十字螺絲3合1M4x20L(ED)	4	v	
9-8	9010040100708	BOLT,M4x10L,ED	平頭十字螺絲M4X10L(ED)	2	v	
9-9	C26-034-00201	STOP SLIPPING MAT	T3G後提把膠條	1	v	

T4GC9 Parts List (2012/09/21)



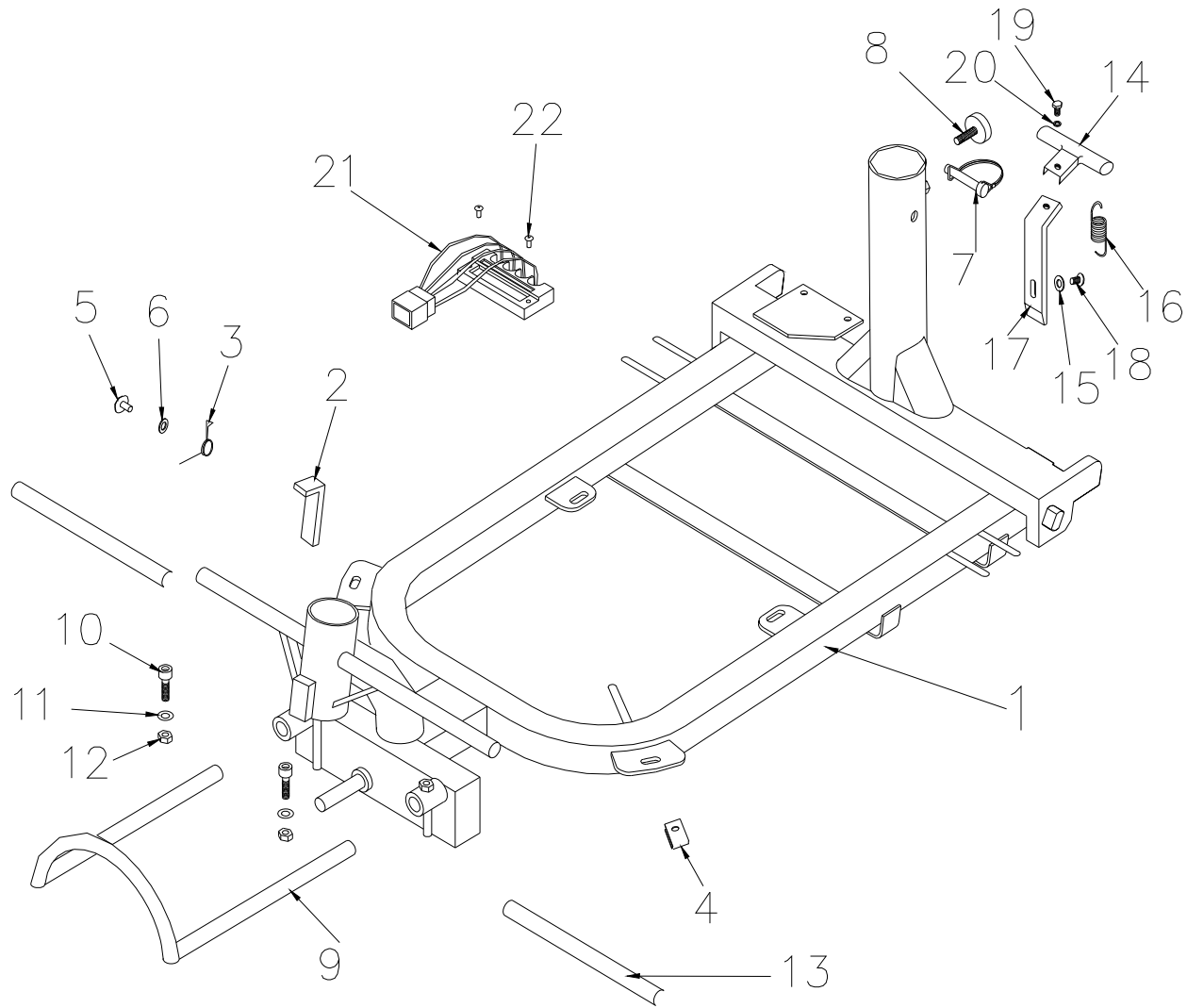
10. FRAME, REAR SECTION ASS'Y

T4GC9 售服零件表

T4GC9 Parts List (2012/09/21)

Fig&Index NO.	Parts No.	Parts Name		QTY/CAR	客戶別 AM06	Remark
		Description	Chinese			
10	S01-034-00100	FRAME,REAR SECTION ASS'Y	後車架總成(快拆式)	1組	v	
10-1	C01-034-00102	REAR FRAME SECTION	後車架T4D(快拆式)	1	v	
10-2	C26-001-00500	PLUG,GRIP,25x25	1"X1"方管塞(2mm管厚使用)	2	v	
10-3	C28-007-00200	ANT-TIP WHEELS	T3輔助輪	2	v	
10-4	9214080150232	WASHER,5/16	平華司-5/16	4	v	
10-5	9201080801252	LOCK NUT,M8	防鬆螺帽M8(ED)	2	v	
10-6	9237060000000	U-TYPE SPRING NUT,M6	M6彈片(4mm板用)	2	v	
10-7	C12-034-01001	POWER CONNECTOR ,REAR	6PIN快接介面主體(後)	1	v	
10-8	C12-009-01300		快接介面銅片-下(材質-銅)	2	v	
10-9	C12-034-01100		6PIN快接介面銅片-下	2	v	
10-10	9005040060702	BOLT , M4X6L	大扁螺絲M4x6L(鍍鋅)	6	v	
10-11	9005040150706	BOLT, M4x15L	大扁螺絲M4x15(鍍鋅)	2	v	

T4GC9 Parts List (2012/09/21)



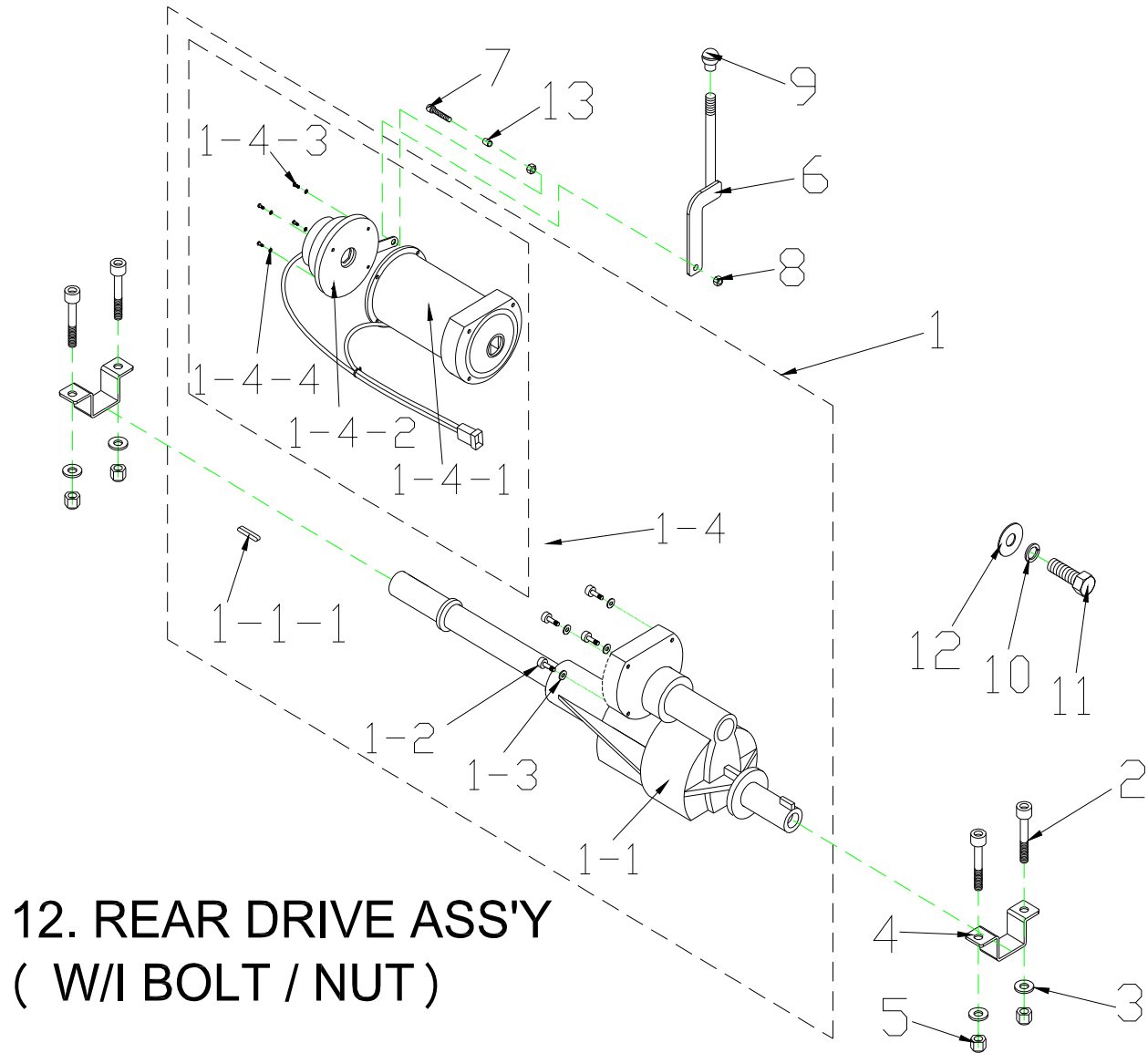
11.FRAME,FRONT SECTION ASS'Y

T4GC9 售服零件表

T4GC9 Parts List (2012/09/21)

Fig&Index NO.	Parts No.	Parts Name		QTY/CAR	客戶別 AM06	Remark
		Description	Chinese			
11	S01-034-00200	FRAME,FRONT SECTION ASS'Y	T4DG9前車架總成(快拆式)	1組	v	
11-1	C01-010-00405	FRONT FRAME SECTION	T4D前車架(快拆式)	1	v	
11-2	C02-010-00102	LOCKER	定位器拉桿T4D(孔5mm)	1	v	
11-3	C02-009-00300	SPRING,LOCKER	把手定位器彈簧	1	v	
11-4	9237060000000	U-TYPE SPRING NUT	自攻螺絲彈片M6	4	v	
11-5	9005060121002	CR ROUND HD SCREW,M6X12L	大扁十字螺絲M6x12(鍍黑)	1	v	
11-6	9214060100133	WASHER,M6	平華司M6(ED)	3	v	
11-7	C01-007-00200	LINK PIN, Ø8x60L	環型插銷Ø8X60L	1	v	
11-8	C30-001-10100	BOKT,SEAT,10X1.25X27L	座椅螺絲M10X1.25X27L	1	v	
11-9	C01-034-00300	FRONT BUMPER	T4G9前保險桿	1	v	
11-10	9021060201001	HEX FLANGE BOLT, M6x20L	中碳內六角M6X20(達可鏽)	2	v	
11-11	9211060150102	SPRING WASHER,M6	彈簧華司-M6	2	v	
11-12	9202060501001	NUT,M6XP1	電帽,M6XP1	2	v	
11-13	C31-010-00100	VELCRO STRIP,LOOP,125	魔術帶(母)125L	2	v	
11-14	C26-009-01401	HANGER,FRAME LOCKER	快拆提把	1	v	
11-15	9214060100133	WASHER,M6	平華司M6(ED)	4	v	
11-16	C01-009-00901	SPRING,FRAME LOCKER	連接器拉簧	1	v	
11-17	C01-009-00801	LOCKER,FRAME	連接器拉桿	1	v	
11-18	9005060201002	BOLT, M6x20L	大扁螺絲M6x20	1	v	
11-19	9002060101003	BOLT, M6x10L,ED	六角螺絲M6x10 (ED)	1	v	
11-20	9211060150102	SPRING WASHER,M6	彈簧華司-M6	1	v	
11-21	C12-034-00800	POWER CONNECTOR ,FRONT	6PIN快接介面主體(前)	1	v	
11-22	C12-009-01201		快接介面彈片-前(材質k7)	6	v	
11-23	9005040060702	BOLT, M4X6L	大扁螺絲M4x6L(鍍鋅)	6	v	
11-24	9005040150706	BOLT, M4x15L	大扁螺絲M4x15(鍍鎳)	2	v	

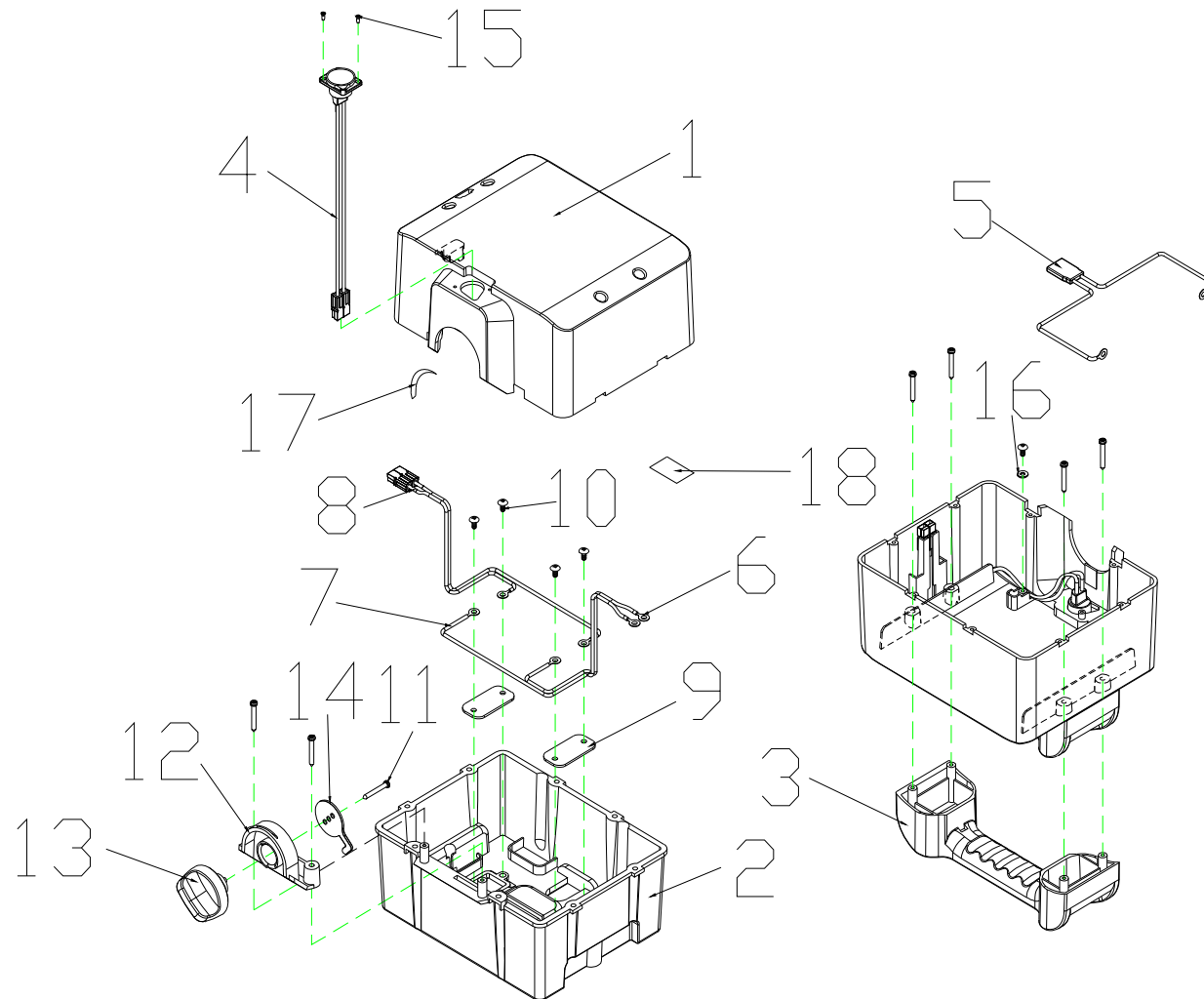
T4GC9 Parts List (2012/09/21)



T4GC9 售服零件表

T4GC9 Parts List (2012/09/21)						
Fig&Index NO.	Parts No.	Parts Name		QTY/CAR	客戶別 AM06	Remark
		Description	Chinese			
12	S09-034-00500	REAR DRIVE ASS'Y(W/I BOLT,NUT ETC.),7μM 4700RPM	T4GC9馬達/變速箱總成(含離合手柄/變速箱固定片)	1組	v	
12-1	C09-034-00900	REAR DRIVE ASS'Y (WITHOUT BOLT , NUT)	F68變速箱組，軸長493mm/21：1/8M3600RPM含40kgf-cm電磁煞車	1	v	
12-1-1	C09-034-01300	TRANSAXLE ONLY (WITHOUT MOTOR)	F68變速箱，軸長493mm 速比21:1	1	v	
12-1-1-1	9357005005020	PIN,5x5x20	雙圓頭鍵5X5X20	2	v	
12-1-2	C09-034-01400		F68變速箱聯軸器(φ 27.5x φ 12x20L)	1	v	
12-1-3	9021060151001	BOLT, BLACK, M6x15L	內六角螺絲(黑)M6X15L	4	v	
12-1-4	9211060150102	SPRING WASHER, M6	M6 彈簧墊圈	4	v	
12-1-5	C09-034-01000	MOTOR (WITH BRAKE) , 8M/3600RPM	馬達組-8M/3600RPM/40kgf-cm電磁煞車/柄長50mm	1	v	
12-1-5-1	C09-034-01100	MOTOR ONLY(WITHOUT BRAKE) , 7μM/4700RPM	馬達8M 350W 3600RPM	1	v	
12-1-5-2	C09-034-01200	ELECTRO-MAGNETIC BRAKE	電磁煞車40kgf-cm(柄長50mm)	1	v	
12-1-5-3	9004040120704	BOLT, M4x12L	圓頭十字螺絲三合一-M4x12L	4	v	
12-1-5-4	9211040100602	SPRING WASHER, M4	M4彈簧華司	4	v	
12-2	9035080401251	BOLT, M8x40L	內六角半牙螺絲M8XP1.25X40L	4	v	
12-3	9214080150232	WASHER, 5/16	平華司-5/16	8	v	
12-4	C09-010-00101	PLATE, MOTOR	減速箱固定片 T4D	2	v	
12-5	9201080801252	LOCK NUT, M8xP1.25	防鬆尼帽M8xP1.25	4	v	
12-6	C09-034-00601	FREE WHEEL LEVER	T4G9離合手柄拉桿	1	v	
12-7	9021050400803	BOLT, M5x40L	內六角螺絲M5X40L/表面處理：鍍黑加封口(12.9級)	1	v	
12-8	9201050500802	LOCK NUT, M5	M5尼帽	2	v	
12-9	C26-009-00701	KNOB, FREE WHEEL LEVER	圓球螺帽M8(黑)	1	v	
12-10	9211080200142	SPRING WASHER, 5/16	彈簧華司-5/16	2	v	
12-11	9002080201251	BOLT, M8x20L	六角螺絲-M8xP1.25x20L(8.8級)達可銹	2	v	
12-12	9214080150232	WASHER, 5/16	平華司-5/16	2	v	
12-13	C09-034-01500	SPACER , FREE WHEEL LEVER, φ10xφ5.2x20L	T4G9離合手柄拉桿間隔管(φ 10x φ 5.2x20L ED黑)	1	v	

T4GC9 Parts List (2012/09/21)



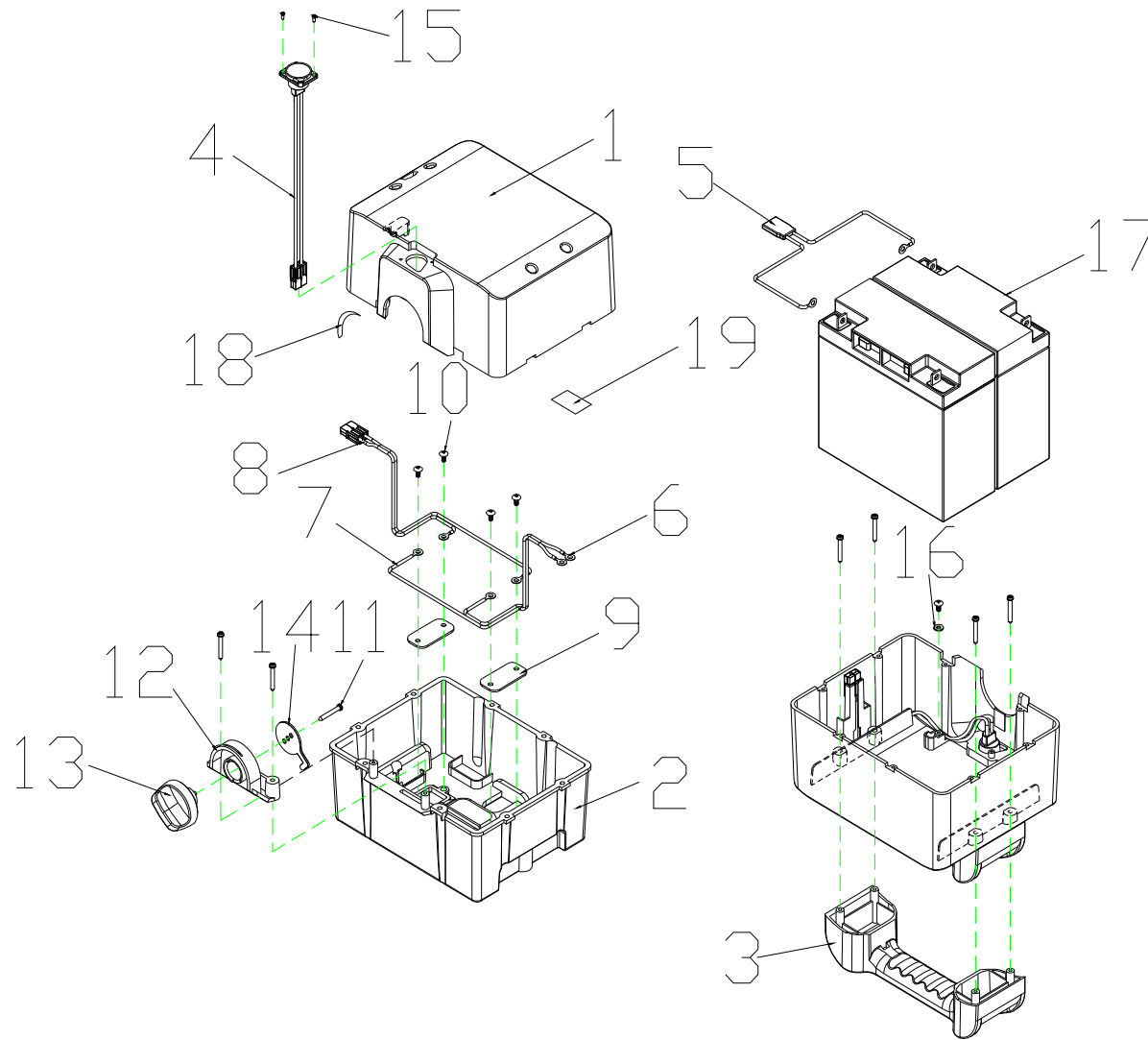
13. BATTERY BOX ASS'Y, W/O BATTERY

T4GC9 售服零件表

T4GC9 Parts List (2012/09/21)

Fig&Index NO.	Parts No.	Parts Name		QTY/CAR	客戶別 AM06	Remark
		Description	Chinese			
13	S17-034-00100	BATTERY BOX ASS'Y ,W/O BATTERY	20AH電池盒總成-不含電池	1組	v	
13-1	C08-034-00703	BATTERY FRONT COVER,UPPER	20AH電池盒上蓋	1	v	
13-2	C08-034-00801	BATTERY FRONT COVER,LOWER	20AH電池盒下蓋	1	v	
13-3	C08-034-00600	BATTERY CASE GRIP	20AH電池盒提把	1	v	
13-4	C17-034-00302	CHARGE CABLE UPPER	20AH電池盒電瓶充電線	1	v	
13-4-1	C18-001-01000	FUSE, 10A	10A保險絲	1	v	
13-5	C17-034-00502	BATTERY CABLE	20AH電池盒電瓶串連線	1	v	
13-5-1	C17-009-00200	FUSE, 40A	40A保險絲	1	v	
13-6	C17-034-00602	BATTERY CABLE (+)	20AH電池盒電瓶線(正)	1	v	
13-7	C17-034-00702	BATTERY CABLE (-)	20AH電池盒電瓶線(負)	1	v	
13-8	C17-034-00402	CHARGE CABLE LOWER	20AH電池盒充電連接線	1	v	
13-9	C12-009-00400	COPPER PIECE , BATTERY PLANK	電池底板導電銅片	2	v	
13-10	9011040100003	CR ROUND HD SCREW,M4X10L	大扁頭十字自攻螺絲(黑)M4x10L	5	v	
13-11	9011040200003	BOLT,M4x20L	圓頭十字自攻螺絲M4x20(ED)	15	v	
13-12	C08-034-00900	BATTERY CASE POSITION KNOB HOLDER	20AH電池盒定位扣轉盤座	1	v	
13-13	C08-034-01001	BATTERY CASE POSITION KNOB	20AH電池盒定位扣轉盤	1	v	
13-14	C01-034-00600	BATTERY CASE POSITION HOOK	20AH電池盒定位扣卡鉤	1	v	
13-15	9014250080002	BOLT, M2.5x8L	平頭十字自攻尖尾螺絲2.5x8L	2	v	
13-16	9214040140102	WASHER , OD=14/ID=4.2/T=1mm	平華司-外徑14內徑4.2厚度1	1	v	
13-17	C27-034-02300	LABEL , LOCK / UNLOCK	20AH電池盒LOCK/UNLOCK貼紙	1		
13-18	C27-034-02800	LABEL , "DO NOT DRIVE WHILE CHARGING"	充電警示貼紙	1		

T4GC9 Parts List (2012/09/21)



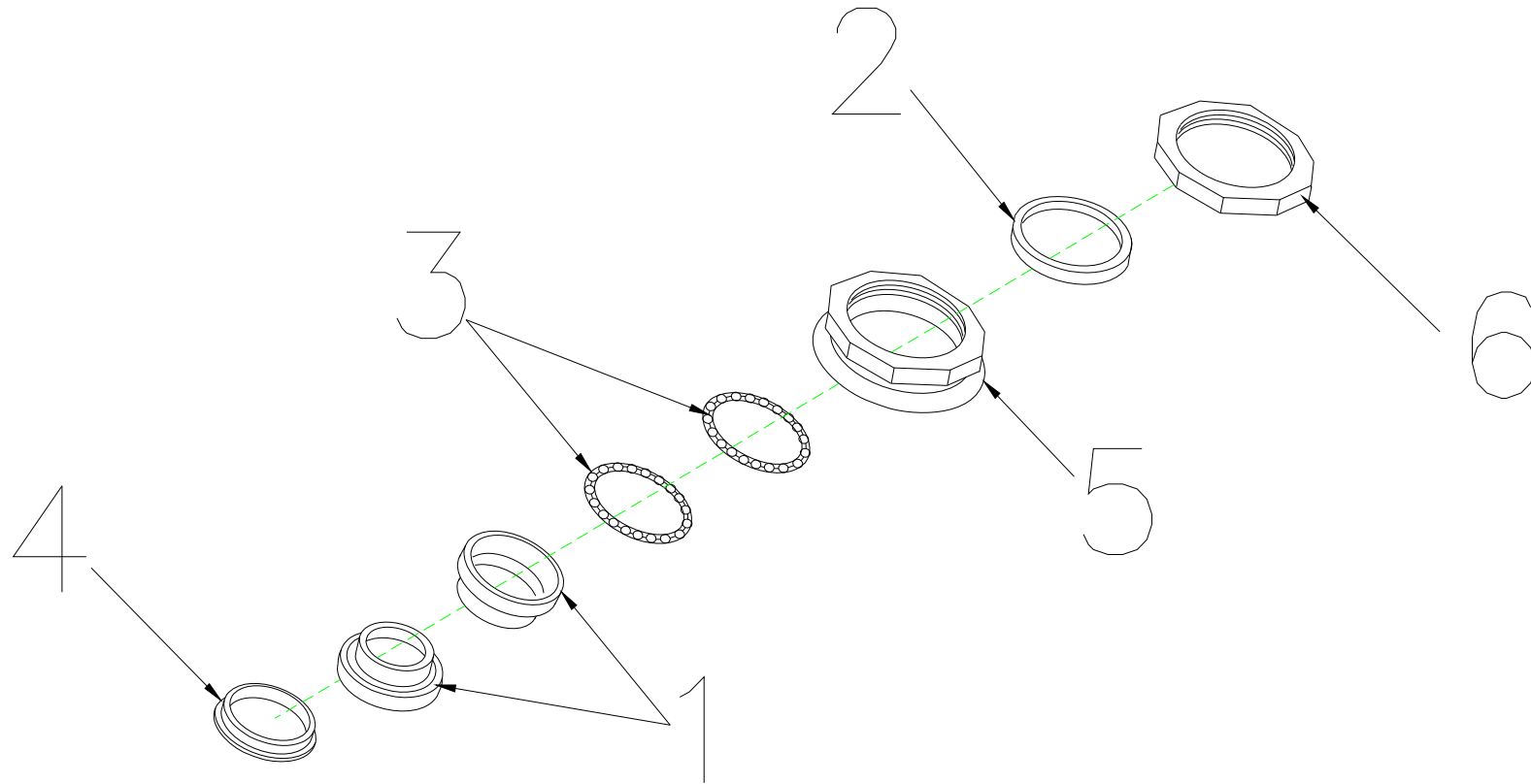
14. BATTERY BOX ASS'Y,W/I BATTERY

T4GC9 售服零件表

T4GC9 Parts List (2012/09/21)

Fig&Index NO.	Parts No.	Parts Name		QTY/CAR	客戶別 AM06	Remark
		Description	Chinese			
14	S17-034-00200	BATTERY BOX ASS'Y ,W/I 20AH BATTERY	20AH電池盒總成-含20AH電池	1組	v	
14-1	C08-034-00703	BATTERY FRONT COVER,UPPER	20AH電池盒上蓋	1	v	
14-2	C08-034-00801	BATTERY FRONT COVER,LOWER	20AH電池盒下蓋	1	v	
14-3	C08-034-00600	BATTERY CASE GRIP	20AH電池盒提把	1	v	
14-4	C17-034-00302	CHARGE CABLE UPPER	20AH電池盒電瓶充電線	1	v	
14-4-1	C18-001-01000	FUSE,10A	10A保險絲	1	v	
14-5	C17-034-00502	BATTERY CABLE	20AH電池盒電瓶串連線	1	v	
14-5-1	C17-009-00200	FUSE,40A	40A保險絲	1	v	
14-6	C17-034-00602	BATTERY CABLE (+)	20AH電池盒電瓶線(正)	1	v	
14-7	C17-034-00702	BATTERY CABLE (-)	20AH電池盒電瓶線(負)	1	v	
14-8	C17-034-00402	CHARGE CABLE LOWER	20AH電池盒充電連接線	1	v	
14-9	C12-009-00400	COPPER PIECE , BATTERY PLANK	電池底板導電銅片	2	v	
14-10	9011040100003	CR ROUND HD SCREW,M4X10L	大扁頭十字自攻螺絲(黑)M4x10L	5	v	
14-11	9011040200003	BOLT,M4x20L	圓頭十字自攻螺絲M4x20(ED)	15	v	
14-12	C08-034-00900	BATTERY CASE POSITION KNOB HOLDER	20AH電池盒定位扣轉盤座	1	v	
14-13	C08-034-01001	BATTERY CASE POSITION KNOB	20AH電池盒定位扣轉盤	1	v	
14-14	C01-034-00600	BATTERY CASE POSITION HOOK	20AH電池盒定位扣卡鉤	1	v	
14-15	9014250080002	BOLT, M2.5x8L	平頭十字自攻尖尾螺絲2.5x8L	2	v	
14-16	9214040140102	WASHER , OD=14/ID=4.2/T=1mm	平華司-外徑14內徑4.2厚度1	1		
14-17	C17-007-00401	BATTERY 12V20AH	電瓶-12V20AH(廣隆)	2		
14-18	C27-034-02300	LABEL , LOCK / UNLOCK	20AH電池盒LOCK/UNLOCK貼紙	1		
14-19	C27-034-02800	LABEL , "DO NOT DRIVE WHILE CHARGING"	充電警示貼紙	1		

T4GC9 Parts List (2012/09/21)

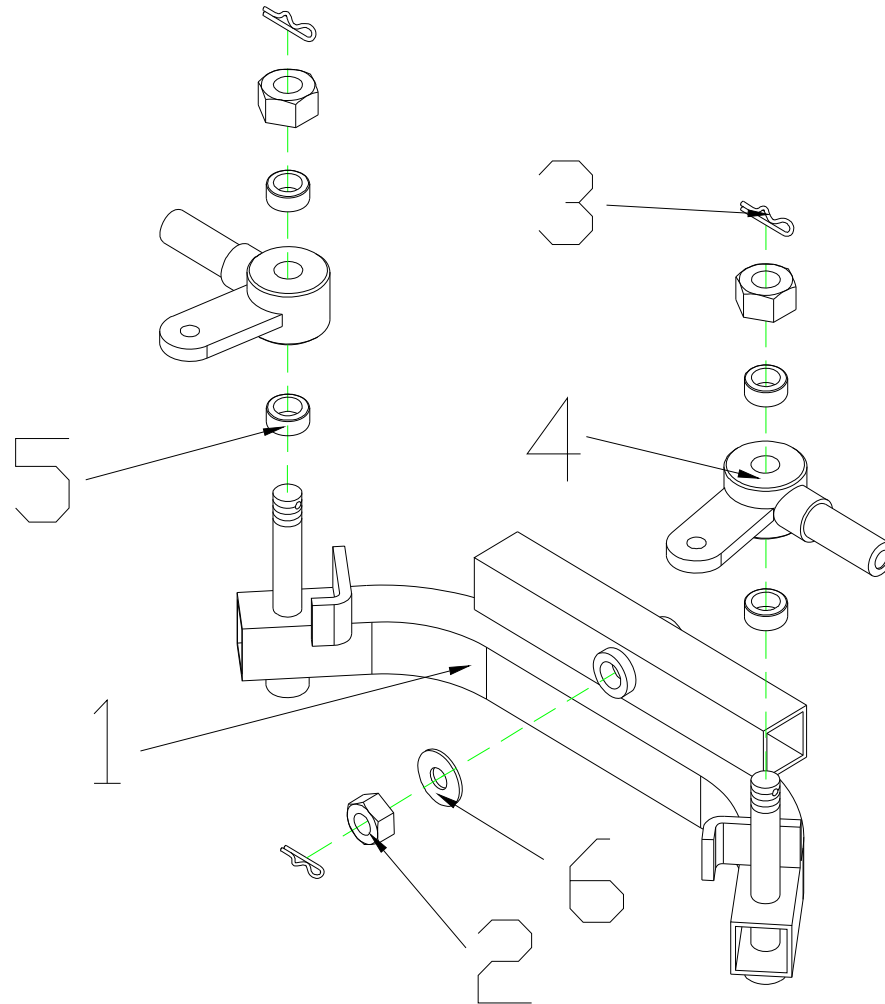


15.REGULAR BEARING BALL SET

T4GC9 售服零件表

T4GC9 Parts List (2012/09/21)						
Fig&Index NO.	Parts No.	Parts Name		QTY/CAR	客戶別 AM06	Remark
		Description	Chinese			
15	S02-001-00601	REGULAR BEARING BALL SET	珠碗軸承組	1組	v	
15-1	C29-001-10101	CUP , UPPER	上珠碗	1	v	
15-2	9214290300353	COLLARLESS WASHER	無領華司	1	v	
15-3	C29-001-10200	BEARING	軸承	2	v	
15-4	C29-001-10301	BEARING CAGE	軸承座	1	v	
15-5	C29-001-10401	BEARING BUSH	軸承襯套	1	v	
15-6	C29-001-10501	LOCKING NUT , BEARING	軸承固定螺帽	1	v	

T4GC9 Parts List (2012/09/21)

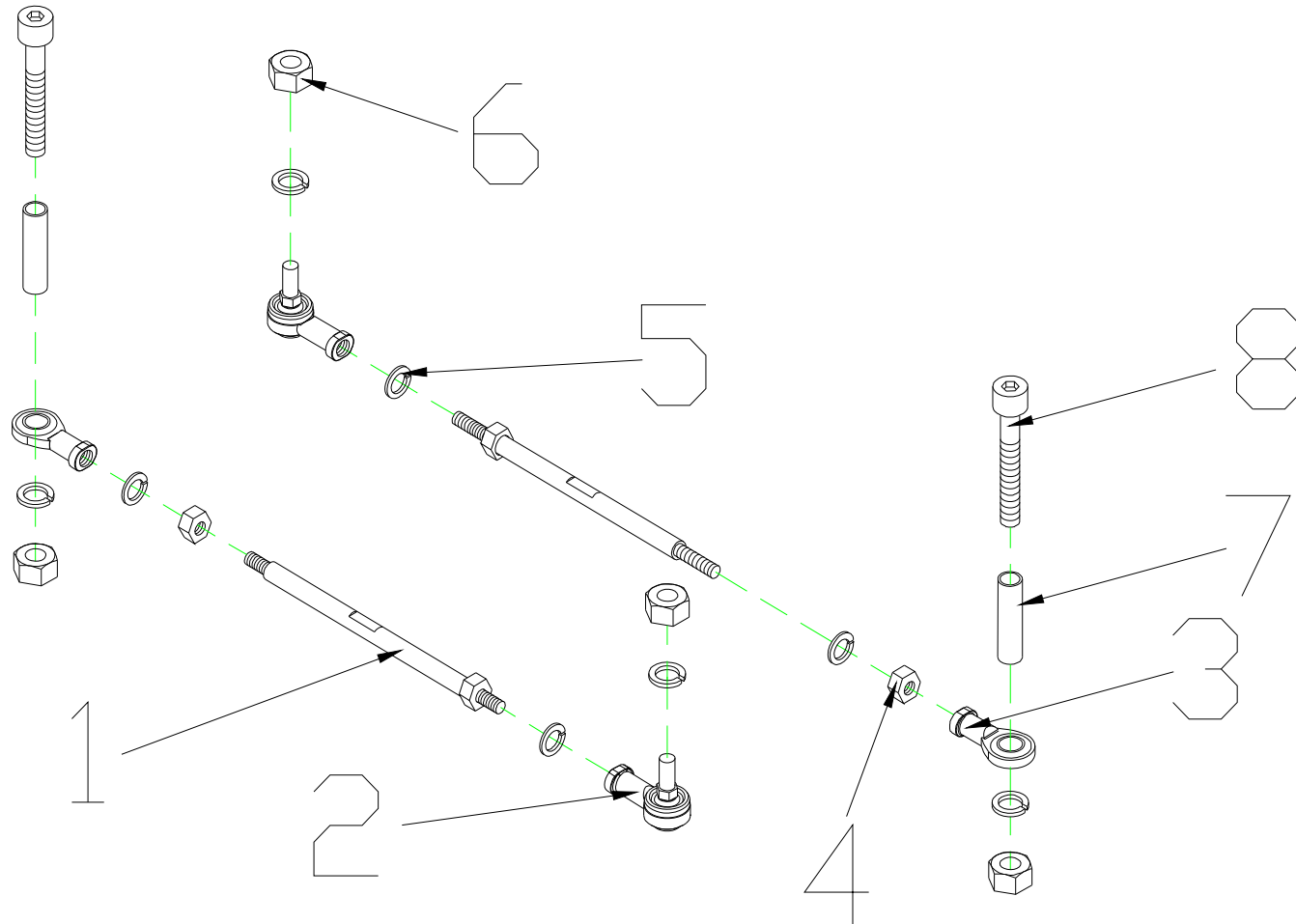


16. FRONT FORK ASS'Y

T4GC9 售服零件表

T4GC9 Parts List (2012/09/21)						
Fig&Index NO.	Parts No.	Parts Name		QTY/CAR	客戶別 AM06	Remark
		Description	Chinese			
16	S03-034-00100	FRONT FORK ASS'Y	T4D前叉總成	1組	v	
16-1	C03-034-00101	FRONT FORK	T4G9前叉	1	v	
16-2	9201121201752	LOCK NUT,M12X1.75	防鬆螺帽-M12X1.75	3	v	
16-3	9363018000002	R TYPE PIN	R型插銷-1.8mm	3	v	
16-4	C03-010-00304	STEERING AXLE	轉向軸(含軸承6001ZZ軸承)	2	v	
16-5	C03-001-10800	SPACER,20*12*T5	間隔管20*12*T5	4	v	
16-6	9214090250282	WASHER,7/16	平華司-外徑32內徑13.7厚度2	1	v	

T4GC9 Parts List (2012/09/21)

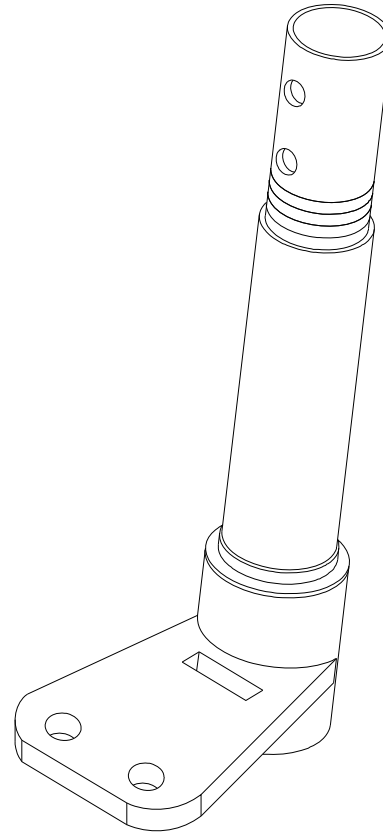


17. CONNECTING ROD ASS'Y

T4GC9 售服零件表

T4GC9 Parts List (2012/09/21)						
Fig&Index NO.	Parts No.	Parts Name		QTY/CAR	客戶別 AM06	Remark
		Description	Chinese			
17	S03-034-00200	CONNECTING ROD ASS'Y	T4G9導向連桿總成	1組	v	
17-1	C03-001-10401	CONNECTING ROD, GUIDING	導向連桿-M8x1.25x90L	2	v	
17-2	C19-001-00101	JOINT, RBL 8 (L)	和尚頭-RBL8(左旋)	2	v	
17-3	C19-029-00200	JOINT, RBL 8 (R)	和尚頭(右旋)MOTO NHS8R	2	v	
17-4	9202080601251	NUT, M8XP1.25	螺帽, M8X13邊X1.25(達可鏽)	4	v	
17-5	9211080200142	SPRING WASHER, 5/16	彈簧華司-5/16	8	v	
17-6	9201080801252	LOCKING NUT, M8	防鬆尼帽-M8x1.25	4	v	
17-7	C03-036-00501	SPACER ψ 14X ψ 8.5X40L	前避震器間隔管 ϕ 14X ϕ 8.5X40L	2	v	
17-8	9035080701255	BOLT M8x70LxP1.25	內六角螺絲-半牙M8X70XP1.25(耐鍊)	2	v	

T4GC9 Parts List (2012/09/21)

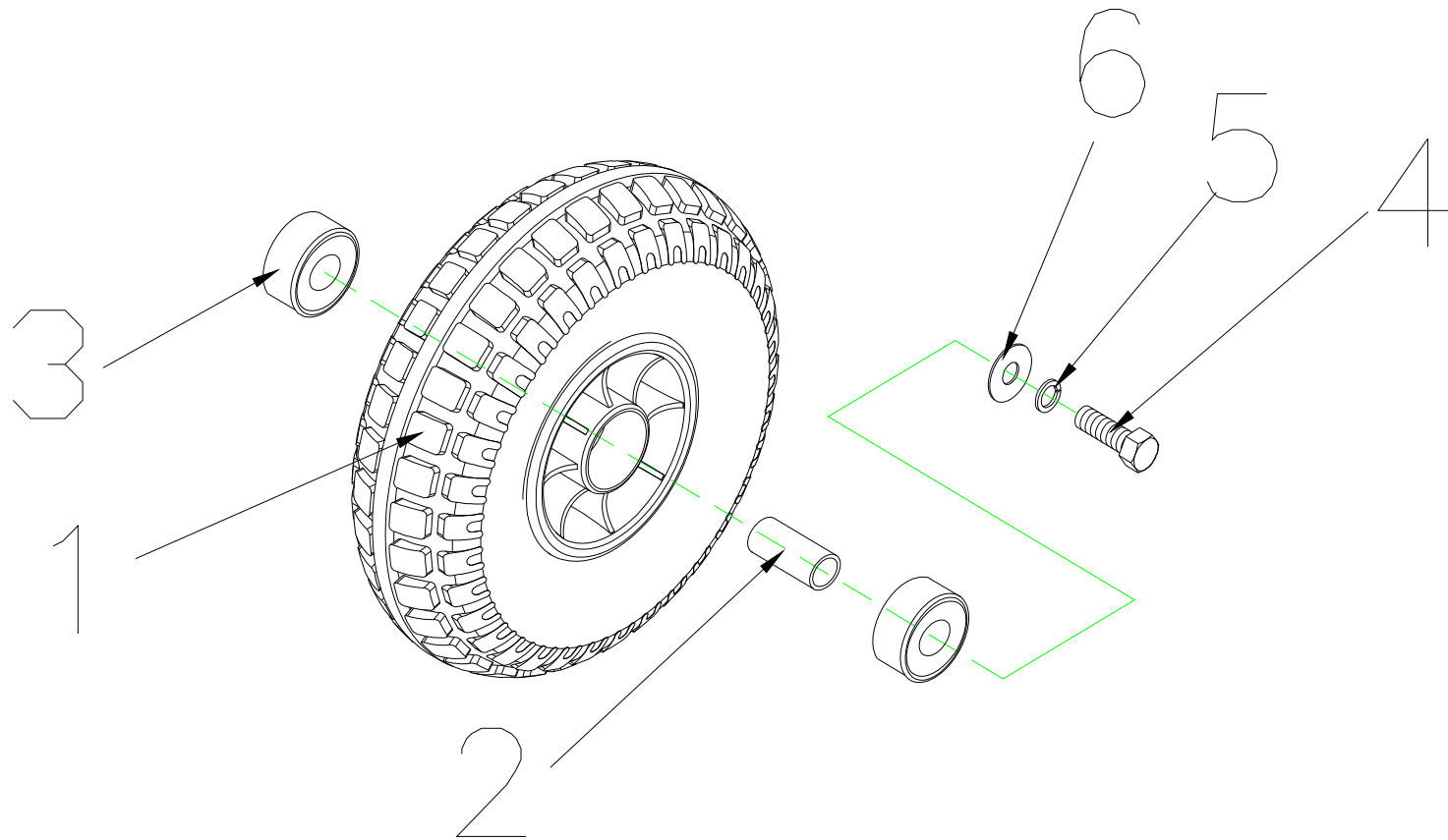


**18. L TYPE STEERING
AXLE ASS'Y**

T4GC9 售服零件表

T4GC9 Parts List (2012/09/21)						
Fig&Index NO.	Parts No.	Parts Name		QTY/CAR	客戶別	Remark
		Description	Chinese		AM06	
18	S03-010-00201	L TYPE STEERING AXLE ASS'Y	L型轉向軸總成	1組	v	

T4GC9 Parts List (2012/09/21)



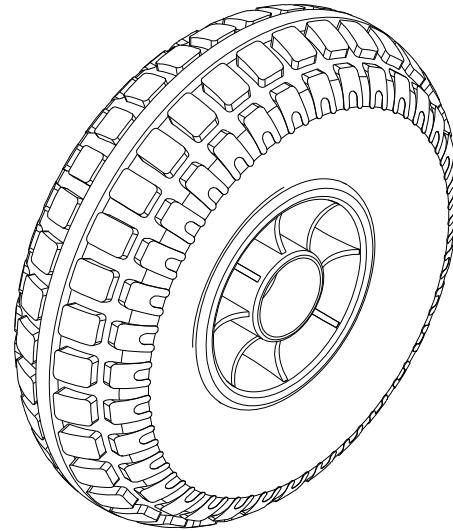
19. FRONT TIRE ASS'Y

T4GC9 售服零件表

T4GC9 Parts List (2012/09/21)

Fig&Index NO.	Parts No.	Parts Name		QTY/CAR	客戶別 AM06	Remark
		Description	Chinese			
19	S05-034-00700	FRONT TIRE ASS'Y,200/50,BLACK	9"PU發泡胎前輪組-黑(塑膠輪圈)	1組	v	
19-1	C05-034-01000	FRONT TIRE,BLACK,200/50	9"PU發泡胎/前輪(黑)不含軸承及間隔管	1	v	
19-2	C01-059-00900	SPACER OD=22 / ID=16 / L=24mm	間隔管-內徑16外徑22長24mm	1	v	
19-3	9653069020000	BEARING 6902ZZ	前輪軸承-6902ZZ	2	v	
19-4	9002080201251	BOLT,M8xP1.25x20L	六角螺絲-M8x1.25x20L(12.9級)達可銹	1	v	
19-5	9211080200142	SPRING WASHER-5/16	彈簧華司-5/16	1	v	
19-6	9214080150232	WASHER-5/16	平華司-5/16	1	v	

T4GC9 Parts List (2012/09/21)

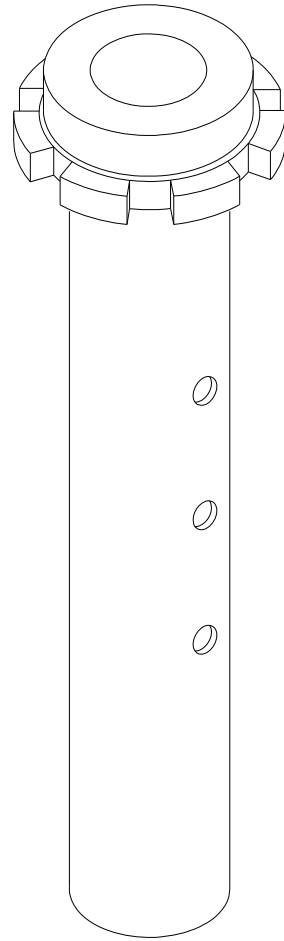


20. REAR PU FOAMED TIRE

T4GC9 售服零件表

T4GC9 Parts List (2012/09/21)						
Fig&Index NO.	Parts No.	Parts Name		QTY/CAR	客戶別 AM06	Remark
		Description	Chinese			
20	C06-035-00200	REAR PU FOAMED TIRE ,9" ,BLACK	9"發泡填充胎-黑胎(後輪塑膠輪圈)	1	v	

T4GC9 Parts List (2012/09/21)

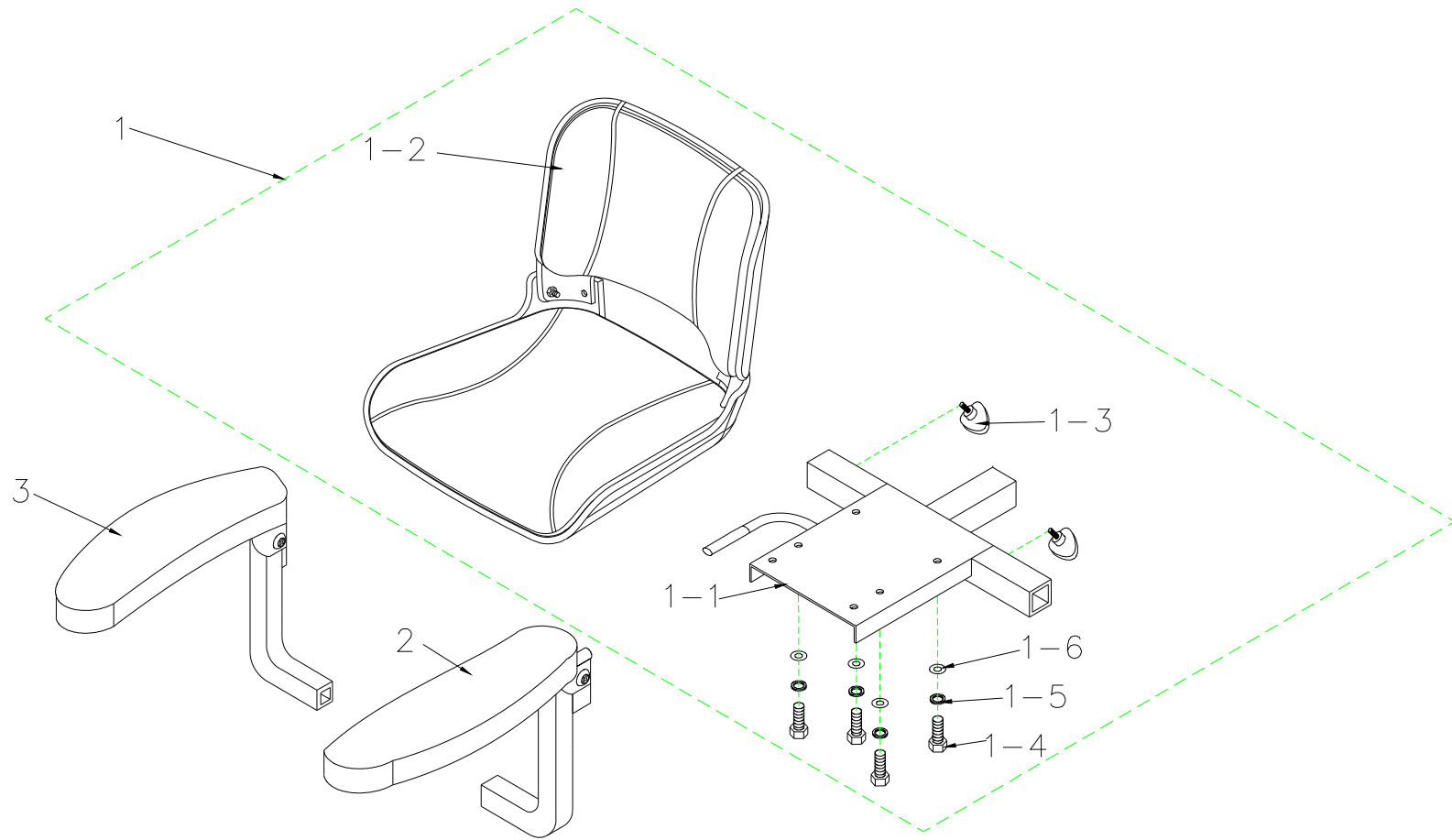


21.SEAT POST

T4GC9 售服零件表

T4GC9 Parts List (2012/09/21)						
Fig&Index NO.	Parts No.	Parts Name		QTY/CAR	客戶別 AM06	Remark
		Description	Chinese			
21	C07-034-00503	SEAT POST	T4G9座椅撐座-含撐座襯套	1		

T4GC9 Parts List (2012/09/21)



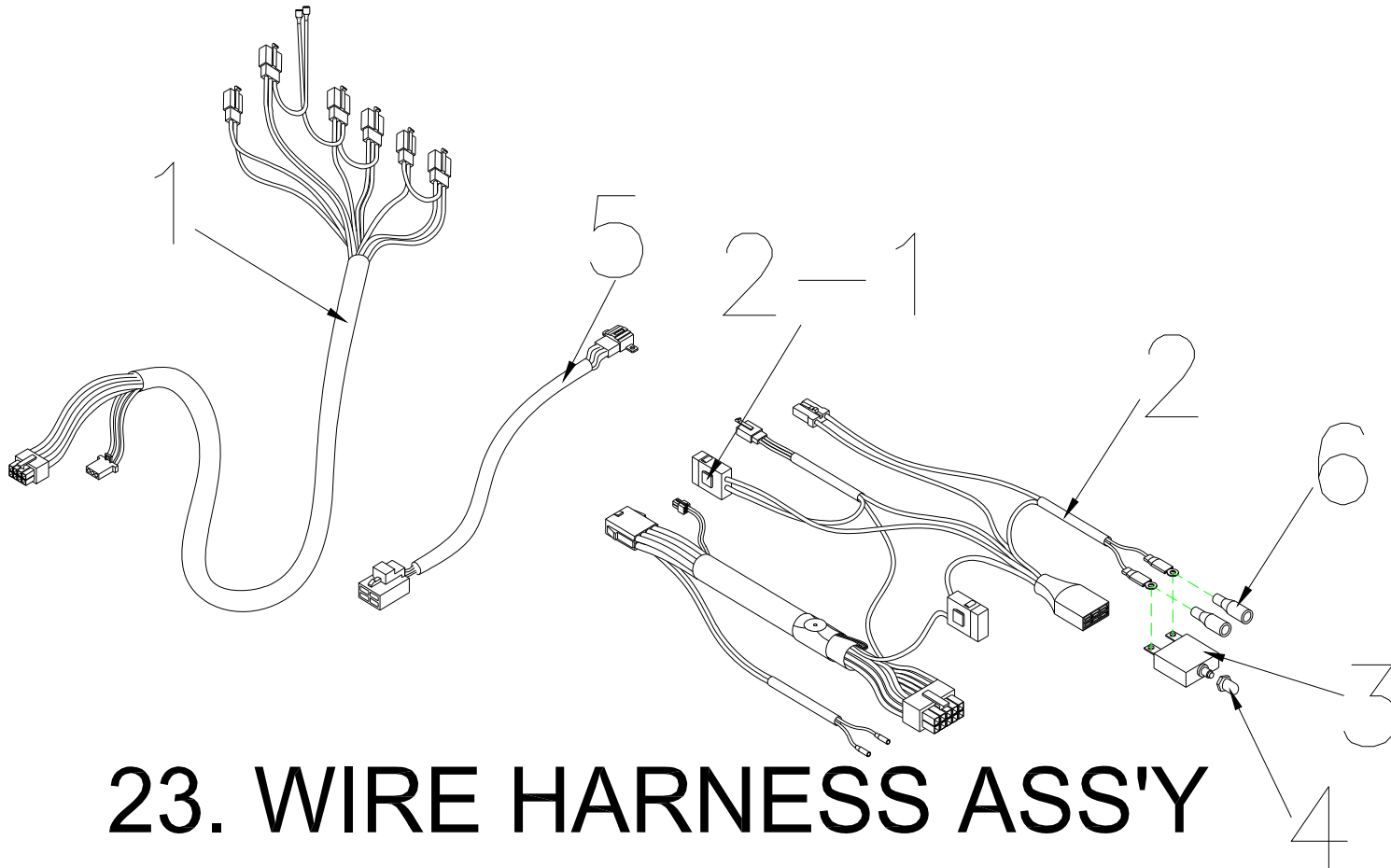
22.SEAT ASS'Y

T4GC9 售服零件表

T4GC9 Parts List (2012/09/21)

Fig&Index NO.	Parts No.	Parts Name		QTY/CAR	客戶別 AM06	Remark
		Description	Chinese			
22	S07-035-00400	SEAT ASS'Y W/ SEAT PLATE /ARM REST	994 FISH ON座椅總成-含底板/扶手	1		
22-1	S07-035-00500	SEAT ASS'Y W/ SEAT PLATE	994 FISH ON座椅總成-含底板	1		
22-1-1	C07-003-04906	SEAT PLATE	Fish on座椅底板組合作件	1		
22-1-2	C07-067-00600	994 FISH ON SEAT	994 FISH ON座椅(黑灰)	1		
22-1-3	C30-001-10202	TRIANGEL BOLT,M8x25	三角螺絲 M8*25	1		
22-1-4	9002080201251	CR ROUND HD SCREW , M8X1.25X20L	六角螺絲-M8x1.25x20L	4		
22-1-5	9211080200142	SPRING WASHER , M8	彈簧華司-外徑14內徑8厚度2	4		
22-1-6	9214080150232	WASHER , M8	平華司-外徑22內徑8.5厚1.5	4		
22-2	C07-028-00404	ARMREST COMP.,L	211扶手-左-裝管塞與固定螺絲	1		
22-3	C07-028-00504	ARMREST COMP.,R	211扶手-右-裝管塞與固定螺絲	1		

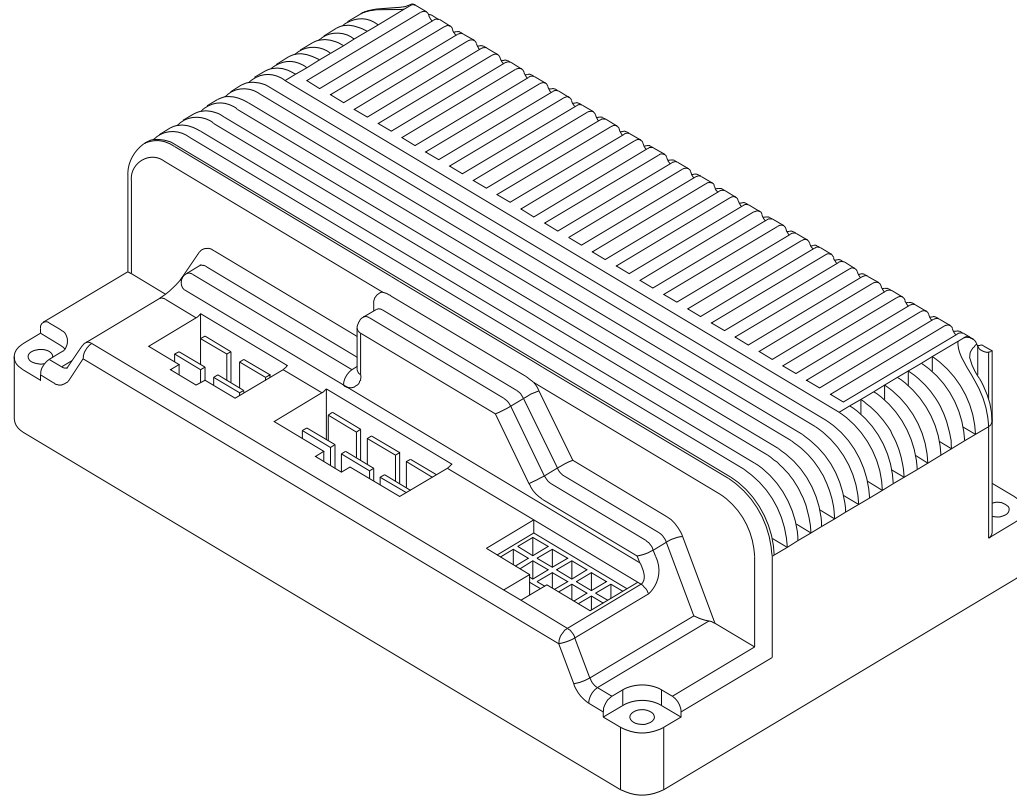
T4GC9 Parts List (2012/09/21)



T4GC9 售服零件表

T4GC9 Parts List (2012/09/21)						
Fig&Index NO.	Parts No.	Parts Name		QTY/CAR	客戶別 AM06	Remark
		Description	Chinese			
23	S18-034-00200	WIRE HARNESS ASS'Y	T4GC9主配線總成(含各線組)	1	v	
23-1	C18-023-00101	WIRE HARNESS , DECAL	M4Jr.B主配線-上段	1	v	
23-2	C18-035-00101	WIRE HARNESS , CONTROLLER	T3D 主配線(含蜂鳴器及電源線)-下段(CTE控制器用)	1	v	
23-2-1	C18-001-01000	FUSE,10A	10A保險絲	2	v	
23-3	C16-022-00402	BREAKER,35A	35A保護開關	1	v	
23-4	C16-009-00401	TUBE,PROTECT SWITCH	保護開關防水套	1	v	
23-5	C18-035-00300	ELECTRO-MAGNETIC BRAKE WIRE,MOTOR	T3GC9 馬達線(CTE控制器用)	1	v	
23-6	C26-001-00800	PLUG	線末端子套管	2	v	

T4GC9 Parts List (2012/09/21)

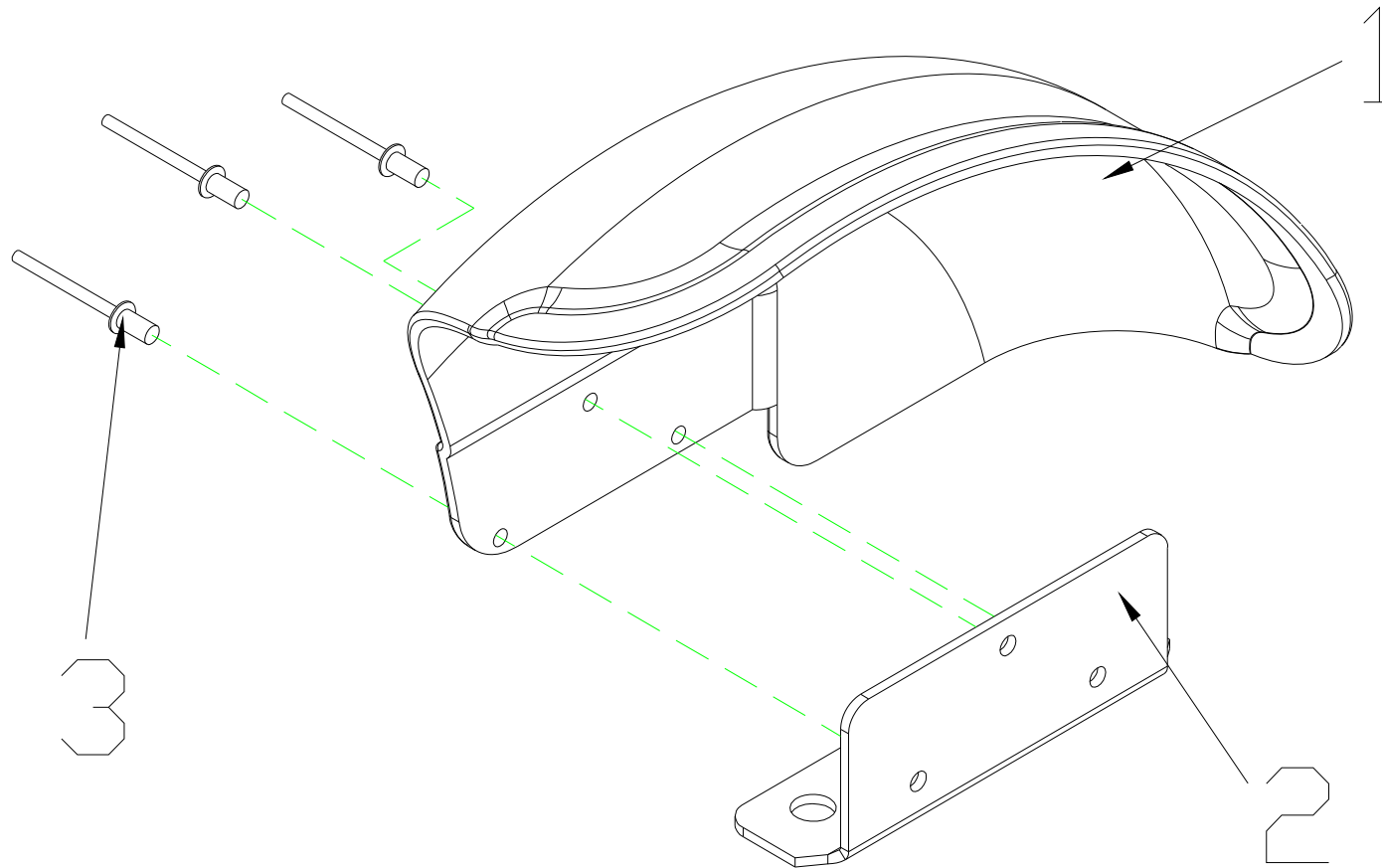


24.CONTROLLER , CTE 70A

T4GC9 售服零件表

T4GC9 Parts List (2012/09/21)						
Fig&Index NO.	Parts No.	Parts Name		QTY/CAR	客戶別	Remark
		Description	Chinese		AM06	
24	C10-005-00500	CONTROLLER,CTE 70A	中端控制器(70A)	1	v	

T4GC9 Parts List (2012/09/21)

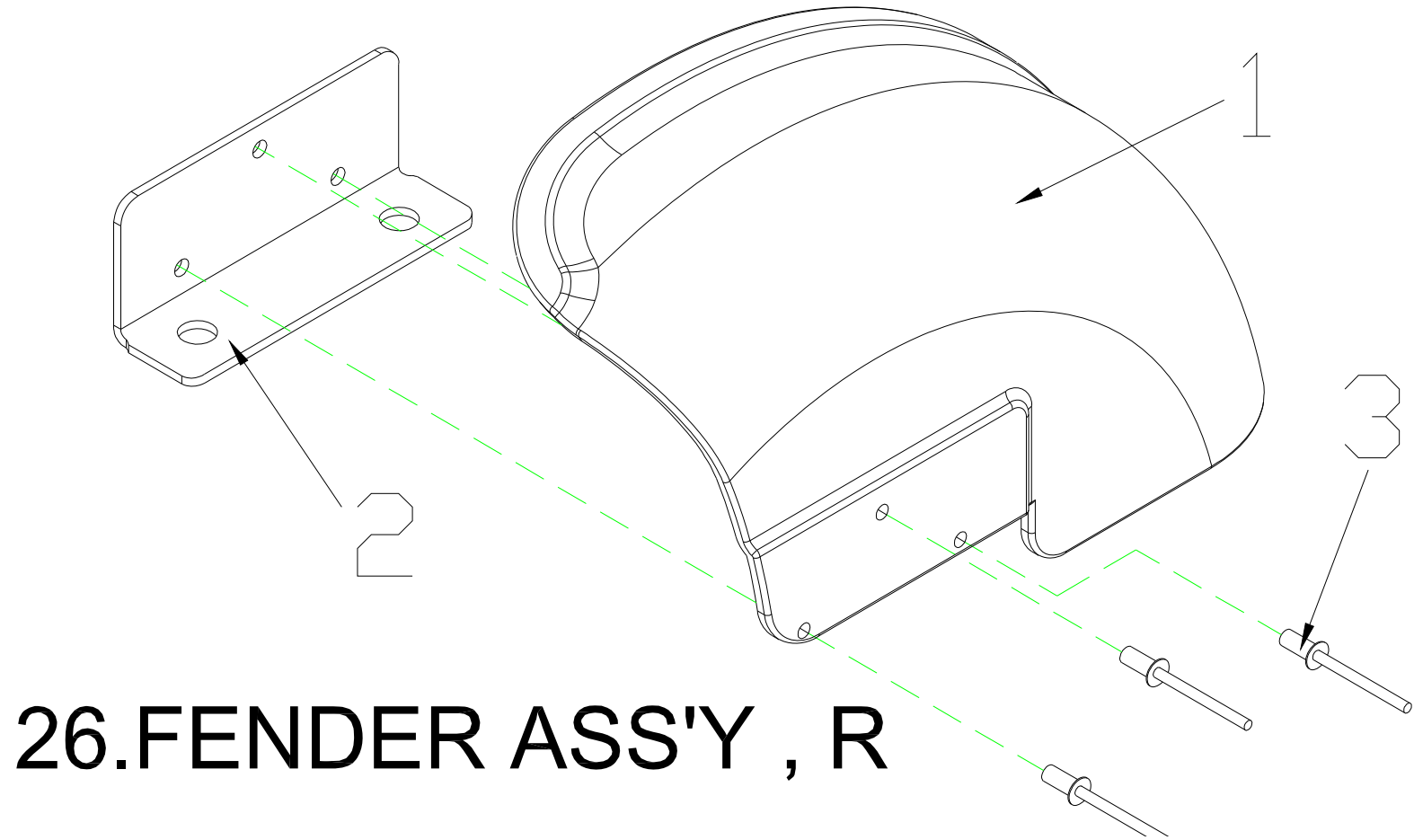


25.FDNDER ASS'Y , L

T4GC9 售服零件表

T4GC9 Parts List (2012/09/21)						
Fig&Index NO.	Parts No.	Parts Name		QTY/CAR	客戶別 AM06	Remark
		Description	Chinese			
25	S08-034-00700	FENDER ASSY , L	T4G9擋泥板總成-左	1組		
25-1	C08-034-00400	FENDER , L	T4G9擋泥板(左)	1		
25-2	C01-034-00401	BRACKET, FENDER	T4G9擋泥板支架	1		
25-3	C36-001-00100	RIVET	鉚釘	3		

T4GC9 Parts List (2012/09/21)



T4GC9 售服零件表

T4GC9 Parts List (2012/09/21)						
Fig&Index NO.	Parts No.	Parts Name		QTY/CAR	客戶別 AM06	Remark
		Description	Chinese			
26	S08-034-00800	FENDER ASSY , R	T4G9擋泥板總成-右	1組		
26-1	C08-034-00500	FENDER , R	T4G9擋泥板(右)	1		
26-2	C01-034-00401	BRACKET, FENDER	T4G9擋泥板支架	1		
26-3	C36-001-00100	RIVET	鉚釘	3		

T4GC9 售服零件表

T4GC9 Parts List (2012/09/21)

T4GC9 售服零件表

T4GC9 Parts List (2012/09/21)						
Fig&Index NO.	Parts No.	Parts Name		QTY/CAR	客戶別 AM06	Remark
		Description	Chinese			
27	C23-067-00100	PLACTIC BASKET	M4JRH塑膠置物籃	1		

T4GC9 售服零件表

T4GC9 Parts List (2012/09/21)						
Fig&Index NO.	Parts No.	Parts Name		QTY/CAR	客戶別 AM06	Remark
		Description	Chinese			
28		ACCESSORIES	附件			
28-1	C12-009-00300	CHARGER HP 2A OFF BOARD (HP-1202B)	鴻柏充電機2A(OFF BOARD)型號：HP-1202B	1		
28-2	C12-001-00700	CABLE,CHARGER , AM	充電機電源線(美國)	1		
28-3	C27-009-00300	FREEWHEEL-ENGAGED LABEL	T3D離合手柄警示貼紙	1	v	
28-4	C27-009-01700	EMI LABEL	EMI警示貼紙	1	v	
28-5	C27-001-00200	CE LABEL	CE貼紙30*23mm -AM06		v	
28-6	C27-009-01600	FRONT LOCK WARNING LABEL	把手定位器警示貼紙	1		
28-7	C37-034-01800	OWNER'S MANUAL	T3GC9/T4GC9隨車手冊-美國DRIVE		v	
28-8	C99-034-01900	CARTON	T4GC9紙箱-美國DRIVE	1	v	