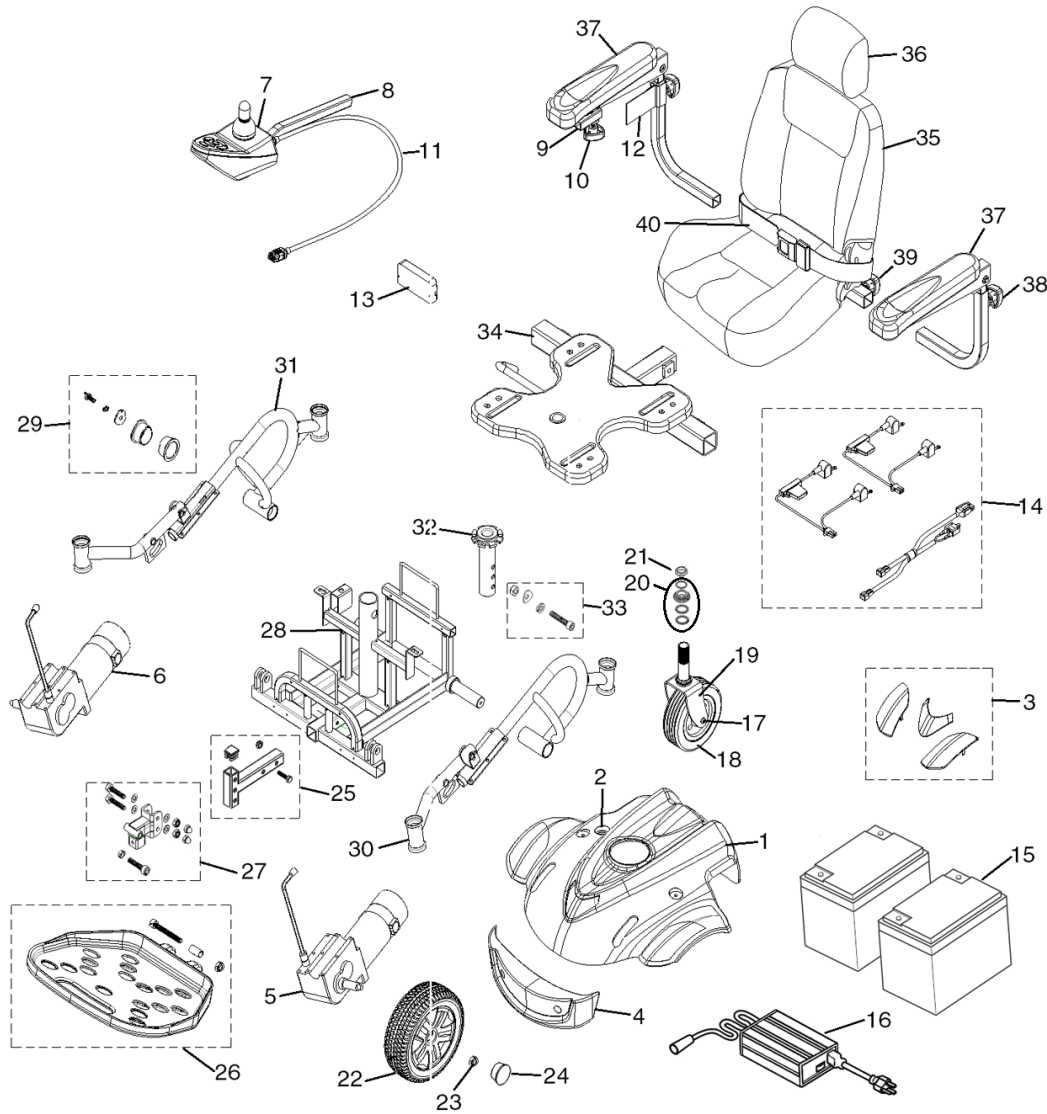


TITAN AXS



- | | |
|--|--|
| 1. Shroud- C08-084-00100 | 27. Footrest Mtg Bracket Assembly- TITANMID-04 |
| 2. Shroud Knob- VENT-86 | 28. Main Frame- TITANMID-05 |
| 3. Decoration Set- S08-084-00118 | 29. Frame Bushing Assembly- TITANMID-06 |
| 4. Front Cover & Hardware- TITANMID-01 | 30. Side Frame Assembly Left- TITANMID-07 |
| 5. Motor, Gear Brake Assy. Left- C09-084-00201 | 31. Side Frame Assembly Right- TITANMID-08 |
| 6. Motor, Gear Brake Assy. Right- C09-084-00101 | 32. Seat Post *- TITAN-39 |
| 7. Joystick w/o Extension Cable- LINX-JOYSTICK Joystick Tip Linx- DC GPL55470 | 33. Seat Post Bolt Assembly- TITAN-06 |
| 8. Joystick Arm- LDM400001-04 Joystick Mtg. Screw- LDM400001-01 | 34. Seat Plate- C07-072-01001* |
| 9. Joystick Mtg. Bracket- TITAN-24 | 35. Captain Seat 16 x 16- TITANAXS-01* |
| 10. Joystick Knob- LDM400001-07 | Captain Seat 16 x 18- TITANAXS-02* |
| 11. Joystick Extension Cable- GLM-EXT100-A | Captain Seat 18 x 16- TITANAXS-03* |
| 12. Joystick Velcro Cable Tie- C34-072-00100 | Captain Seat 18 x 18- TITANAXS-04* |
| 13. Controller- DLX-PM40-A-AXS Controller to Shroud Cable- GLM-EXT064-A | Captain Seat 20 x 18- TITANAXS-05* |
| 14. Wire Harness- TITAN-12 | Captain Seat 20 x 20- TITANAXS-06* |
| 15. Battery 35 ah (2 needed)- LRA402208 | Captain Seat 22 x 20- TITANAXS-07* |
| 16. Charger 3 Amp- LRA402209 | Pan Seat 18 x 18- ST501-181818-AXS |
| 17. Caster Axle & Nut- TITAN-04 | Pan Seat 20 x 18- ST502-201820-AXS |
| 18. Caster- TITAN-03 Caster Bearing- STDS1011 | 36. Headrest- ST-HEADREST |
| 19. Fork- LDM400013 | 37. Armrest Assembly Left- LDR410011L |
| 20. Fork Bearing Set Assembly- LDB402348 | Armrest Assembly Right- LDR410011R |
| 21. Fork Cap- LDR4110 | Arm Pad- LDR410110 |
| 22. Drive Wheel- TITAN-11 | Arm Pad Screw (pr)- LDR420018 |
| 23. Axle Nut- EC16018 | 38. Armrest Height Adj. Knob- S31052 |
| 24. Hub Cap- LRM412202-HC | 39. Armrest Width Adj. Knob- S31052 |
| 25. Footrest Hanger Assembly- TITANMID-02 | 40. Seatbelt 48"- STDS850-PW |
| 26. Footrest Assembly- TITANMID-03 | 60"- STDS855-PW |
| | Not Shown- |
| | ELR Adapter- AE2500 |
| | ELR - LK3JELR |

*** When current stock is gone the part will no longer be chrome plated. It will be black.**