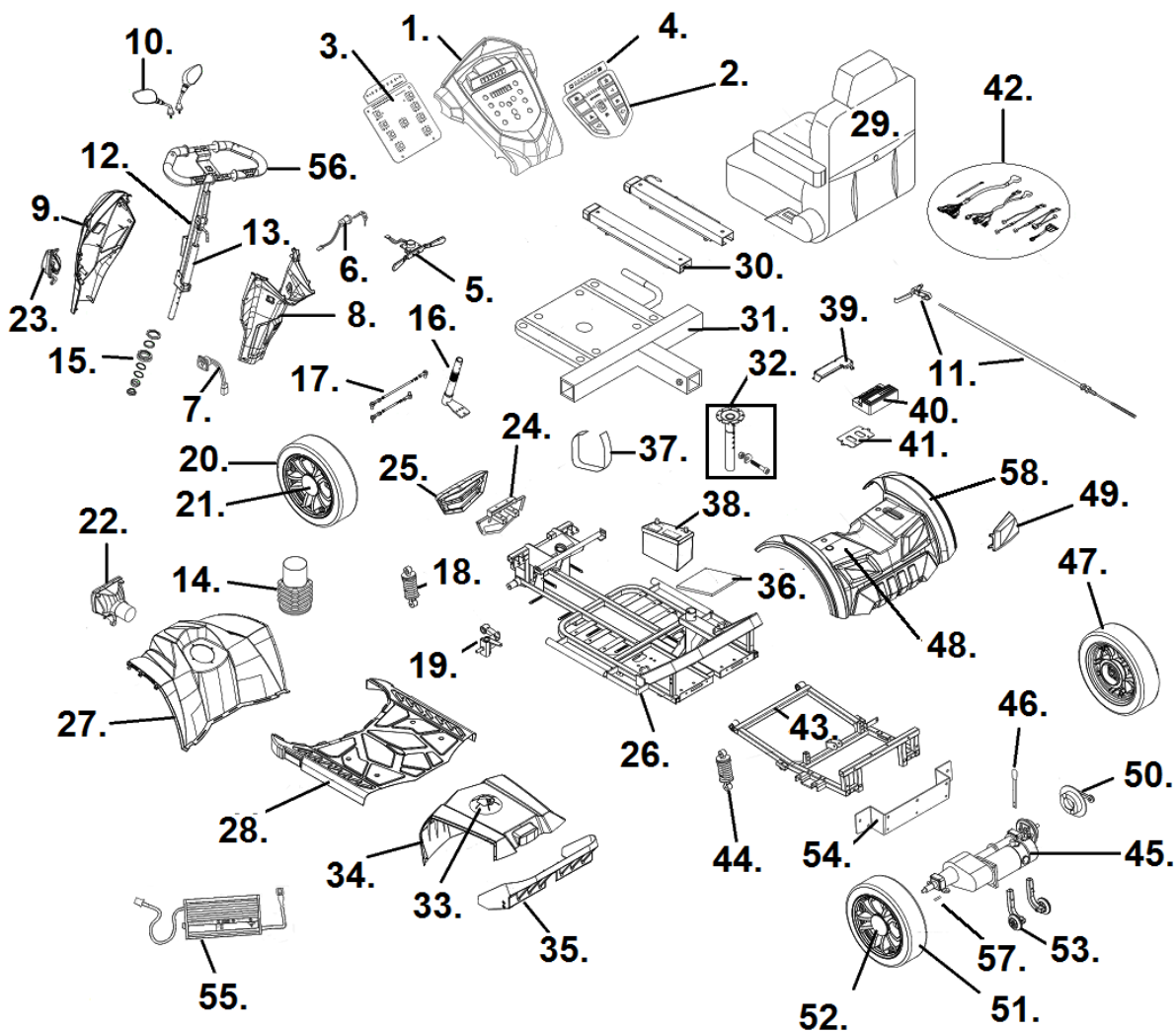


COBRA GT4



- | | |
|--|---|
| 1. Upper Tiller Cover- S08-062-00165 | 32. Seat Post- C07-005-00900 ****
Seat Post Bolt- C07-005-FSPBOLT |
| 2. Control Panel Overlay- C10-062-00200 | 33. Seat Post Boot- C25-039-00100 |
| 3. Tiller PC Board- C10-051-00507 | 34. Main Battery Shroud- S08-062-00677 |
| 4. Battery Indicator Overlay- C10-062-00300 | 35. Rear Battery Shroud- C08-062-01600 |
| 5. Throttle- S12-051-00100 | 36. Rubber Battery Pad- C25-022-00500 |
| 6. Key Switch- C18-001-01501
Key - C37-001-02300 | 37. Battery Strap- C31-029-00101 |
| 7. Charger Port- C12-051-00200 | 38. 70ah Battery (ea 2 needed)- LRC402407 |
| 8. Rear Tiller Cover- S08-062-00300 | 39. Controller Cover- C26-051-00501 |
| 9. Front Tiller Cover- S08-062-00477 | 40. Controller - C10-029-00400 |
| 10. Mirror Set- S37-062-00177 | 41. Controller Holder- S10-062-00100 |
| 11. Hand Brake Assembly- S35-062-00100
Brake Handle- C35-045-00300
Cable Assembly- S35-062-00300
Brake Cable- C35-062-00101 | 42. Wire Harness- S18-062-00400 |
| 12. Delta Tiller Assembly - S02-062-00100 | 43. Rear Frame- S01-062-00200 |
| 13. Tiller Tilt Cylinder- C02-029-00200 | 44. Rear Shock Absorber 1050#- C04-062-00200 |
| 14. Tiller Boot- C25-052-00100 | 45. Motor-Brake-Transaxle Assy./Key Way- S09-062-00400
Motor-Brake-Transaxle Assy./Spline **- C09-062-03101
Transaxle with Key Way- C09-062-02100
Transaxle with Spline **- C09-062-03201
Motor - C09-062-02000
Motor Brush- C09-022-02300
Motor Brush Cap- C09-022-02700
Electro-Magnetic Brake- C09-062-01100
Motor Transaxle Coupler- S31097GT |
| 15. Tiller Bearing Set- S02-001-00601 | 46. Free Wheel Lever- C09-062-00903 |
| 16. "L" Steering Bracket- S03-029-00200
Steering Bracket Spacer- 9367120850752 | 47. Rear Wheel Assy. 8" Rim Right *- S06-062-00700
Rear Wheel Assy. 14" Rim Right *-
With Key Way- S06-062-00100
With Spline **- S06-062-00800 |
| 17. Tie Rod Set- S03-062-00100 | 48. Rear Shroud - S08-062-00577 |
| 18. Front Shock Absorber 150#- C03-062-00300 | 49. Rear Signal Light Right- C14-062-00201
Rear Signal Light Left- C14-062-00301 |
| 19. Shock Absorber Arm Assy. Rt.- C03-022-02108
Shock Absorber Arm Assy. Lt.- C03-022-02208 | 50. Brake Pad Assy. 8" Rim *- C06-062-00402
Brake Pad Assy. 14" Rim *- C06-022-02600 |
| 20. Front Wheel Assembly 8" Rim *- S05-062-00300
Tire 8" Rim (front or rear)- C06-051-00100
Tube 8" Rim (front or rear)- C06-051-00201
Front Wheel Assy. 14" Rim *- S05-062-00100
Tire 14" Rim (front or rear) (50 psi)- C05-063-00202
Tube 14" Rim (front or rear)- C05-062-00500
Front Wheel Bearing- STDS2A5303 | 51. Rear Wheel Assy. 8" Rim Left. *- S06-062-00600
Tire 8" Rim (front or rear)- C06-051-00100
Tube 8" Rim (front or rear)- C06-051-00201
Rear Wheel Assy. 14" Rim Left-
With Key Way- S06-062-00200
With Spline **- S06-062-00900
Tire 14" Rim (front or rear) (50 psi)- C05-063-00202
Tube 14" Rim (front or rear)- C05-062-00500 |
| 21. Hub Cap 8" Rim- C26-060-00501 *
Hub Cap 14" Rim- C05-047-00600 * | 52. Hub Cap 8" Rim- C26-060-00501 *
Hub Cap 14" Rim- C05-047-00600 * |
| 22. Headlight Assembly- C13-062-01700 | 53. Anti-Tipper Set (pr)- S28-062-00100 |
| 23. Front Signal Light Right- C15-062-00102
Front Signal Light Left- C15-062-00502 | 54. Rear Bumper- C01-062-01201 |
| 24. Front Bumper & Bracket- C01-062-00300 | 55. Charger - C12-005-00800
Charger AC Power Cord- SF9056 |
| 25. Front Bumper Cover- C08-062-00501 | 56. Handle Bar (fits Lf. Or Rt.)- C02-062-00101 |
| 26. Front Frame- S01-062-00100 | 57. Motor Key Way- 29002W7011 |
| 27. Front Shroud- S08-062-00277 | 58. Rear Shroud Decoration Left- C08-062-02077
Rear Shroud Decoration Right- C08-062-02177 |
| 28. Middle Shroud (w/o reflectors)- S08-062-00777
Reflector (ea)- C24-062-00200 | |
| 29. 20" Seat Assembly/Arms- S07-062-00100
22" Seat Assembly/Arms- S07-062-00200
Headrest Only- C07-062-00400
Arm Assembly Left- C07-061-01700
Arm Assembly Right- C07-061-01800
Arm Pad- C07-061-01900 | |
| 30. Seat Slides- C07-016-00600 | |
| 31. Seat Plate- C07-062-00200 *** | |

* 8" rim used on serial number 2W13102000073 and before.

** Serial number P166233 and newer.

*** When stock is gone use C07-062-00202.

**** When stock is gone use C07-062-00600.