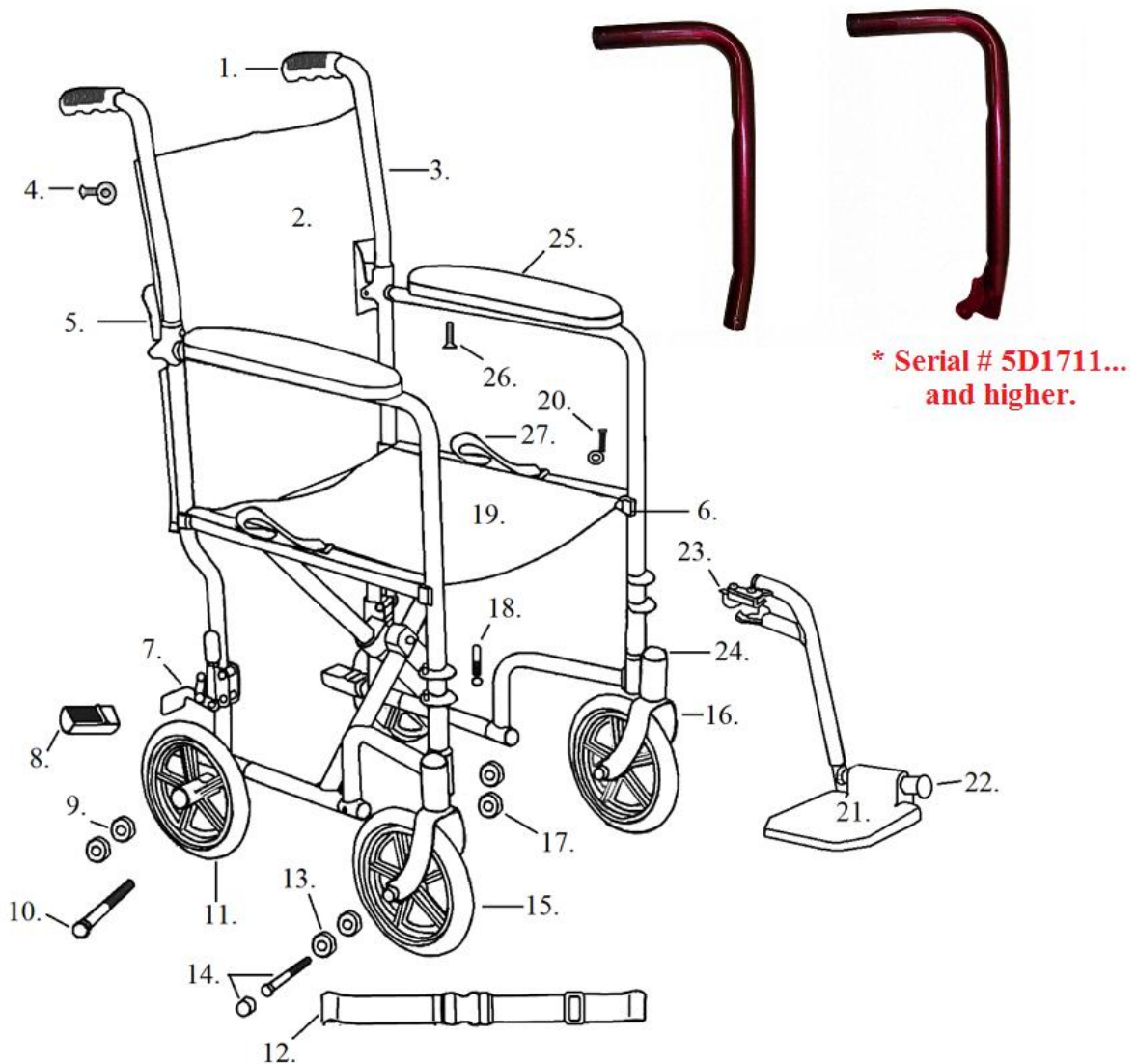


## ALUMINUM TRANSPORT CHAIR (ATC17/19 3J, 5D, 5N & 9H SERIAL #)



- |  |  |
|--|--|
| 1. Handgrip - STDS871                      | 13. Caster Bearing - STDS1011                |
| 2. Back Upholstery 17" - STDS3J0917        | 14. Caster Axle - STDS1002-1                 |
| Back Upholstery 19" - STDS3J0919           | Axle Cap - STDS001000                        |
| Back Upholstery 17" - STDS5D0917N *        | 15. Caster - STDS3J3900                      |
| Back Upholstery 19" - STDS5D0919N *        | 16. Fork - STDS3J0904                        |
| 3. Push Handle Blue - STDS5D09B7           | 17. Fork Stem Bearing - STDS8M4601           |
| Push Handle Black - STDS5D09K7             | 18. Hanger Pins (4 ea)- STDS5D1069           |
| Push Handle Red - STDS5D09R7               | 19. Seat Upholstery 17" - STDS3J0927         |
| Push Handle Silver - STDS5D09S7            | Seat Upholstery 19" - STDS3J0929             |
| Push Handle Blue - STDS5D09B7N *           | 20. Seat Uphol. Hardware (8 ea)- STDS5D5519  |
| Push Handle Black - STDS5D09K7N *          | 21. Foot Plate- STDS4S0906-1                 |
| Push Handle Red - STDS5D09R7N *            | 22. Footrest Bumper - STDS1026               |
| Push Handle Silver - STDS5D09S7N *         | 23. Footrest Release Lever Left - STDS3J091L |
| 4. Back Uphol. Hardware (8 ea)- STDS5D5504 | Footrest Release Lever Rt. - STDS3J091R      |
| 5. Folding Cane Hinge - STDS5D0914         | 24. Dust Cap - STDS1051                      |
| 6. Seat Rail Guide - STDS5D1070            | 25. Arm Pad - STDSFLNB                       |
| 7. Wheel Lock Tip - STDS8M4603             | 26. Arm Screw - STDS002001                   |
| Wheel Lock Left - STDS5D092L               | 27. Upholstery Strap - STDS3J4504            |
| Wheel Lock Right - STDS5D092R              | 28. Blue Footrest - ATCSFBL                  |
| 8. Tipping Sleeve - STDS4020               | Black Footrest - ATCSFBK                     |
| 9. Rear Wheel Bearing - STDS1011HD         | Red Footrest - ATCSFR                        |
| 10. Rear Wheel Axle - STDS5D0907           | Silver Footrest- ATCSFS                      |
| 11. Rear Wheel - STDS3J3910                |  |
| 12. Seat Belt - STDS850-PB                 |  |

\* Serial # 5D1711..... And higher.