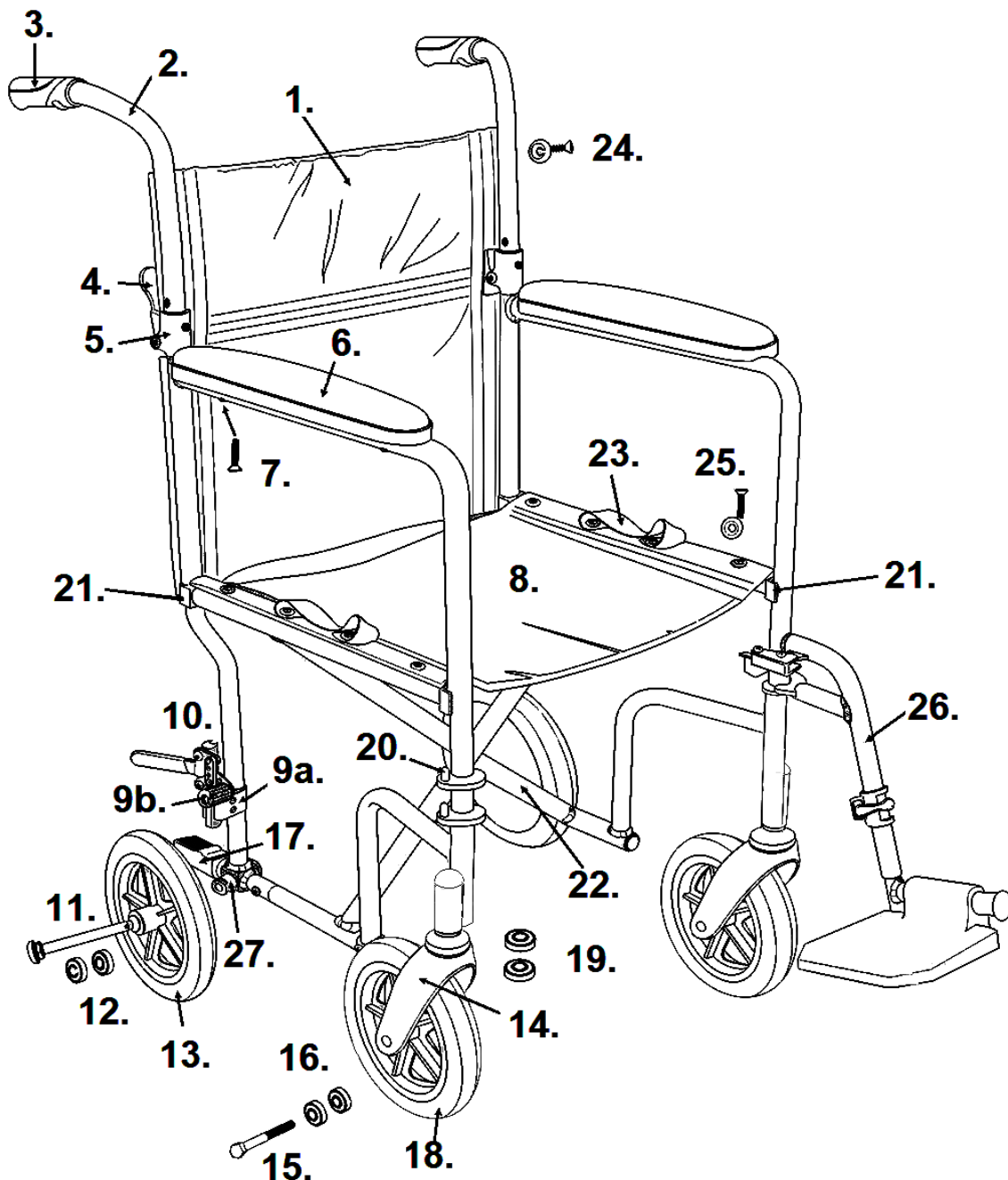


DELUXE FLY-WEIGHT ALUMINUM TRANSPORT CHAIR WITH REMOVABLE CASTERS (RTLFW19RW-RD)



- | | |
|--|---|
| 1. Back Upholstery- FWRW19B | 13. Rear Wheel- FWRW-1S |
| 2. Back Cane Red Left- STDS1S1021L
Back Cane Red Right- STDS1S1021R | 14. Fork- STDS1S1044 |
| 3. Handgrip (pr)- TRHG | 15. Front Axle- STDS1002-1 |
| 4. Backrest Lever- TRB-1 | 16. Front Wheel Bearing- STDS1011 |
| 5. Folding Cane Hinge 1S Serial #- DISC.
Folding Cane Hinge 2M Serial #- STDS2M1011 | 17. Tipping Sleeve- STDS1S4020 |
| 6. Arm Pad- STDSFLNB | 18. Front Wheel- STDS1002 |
| 7. Arm Pad Screw- STDS002001 | 19. Fork Stem Bearing- STDS1012 |
| 8. Seat Upholstery- STDS2350BLK | 20. Hanger Pins (4 ea)- STDS1069-4 |
| 9a. Wheel Lock Clamp- FWBC | 21. Seat Rail Guide- STDS1070 |
| 9b. Wheel Lock Tip- STDS2A4335 | 22. Cross Frame Bolt- STDS001061 |
| 10. Wheel Lock Left- STDS1S4017L
Wheel Lock Right- STDS1S4017R | 23. Seat Upholstery Strap- STDS3J0902 |
| 11. Quick Release Axle- FW1S-AXLE | 24. Back Uphol. Hardware (8 ea)- STDS5D5504 |
| 12. Rear Wheel Bearing- STDS1060 | 25. Seat Uphol. Hardware (8 ea)- STDS1072-8 |
| | 26. Footrest Red- FWSF1SR |
| | 27. Rear Axle Receiver- FW1S-RCVR |