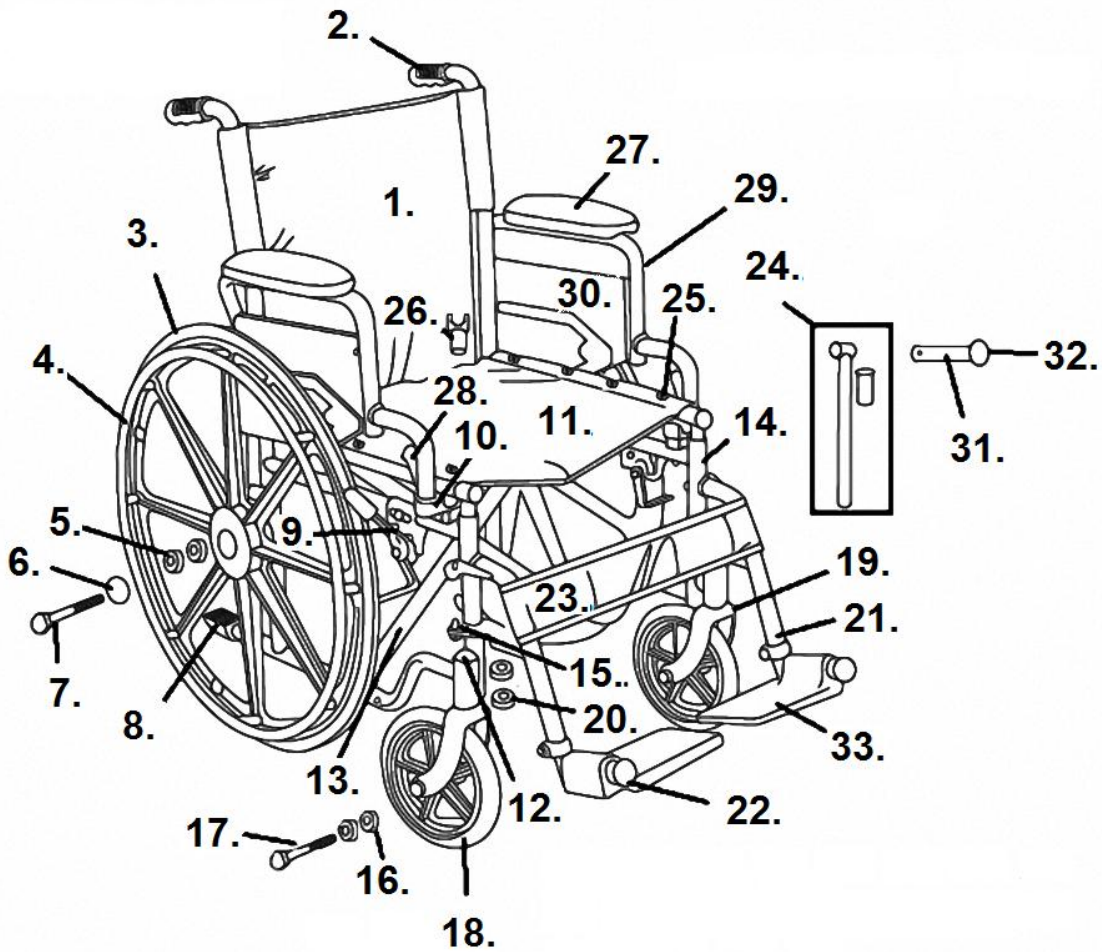


BLUE STREAK (4S, 10H & 17S SERIAL #)



- | | |
|---|--|
| 1. Back Upholstery 16"- STDS4S2209
Back Upholstery 18"- STDS4S2208
Back Upholstery 20"- STDS4S2210 | 15. Hanger Pins (4 ea)- STDS4S1069 |
| 2. Handgrip- WB 8036 | 16. Caster Bearings- STDS1011 |
| 3. Rear Wheel Assembly- STDS3J2424 | 17. Caster Axle- STDS5N2231 |
| 4. Hand Rim- STDS3J2400
Hand Rim Hardware (9 ea)- STDS004609-9 | 18. Caster- STDS3J2432 |
| 5. Rear Wheel Bearing- STDS3J2413 | 19. Fork- STDS3J4533 |
| 6. Hub Cap- STDS3J2421 | 20. Fork Stem Bearing- STDS8M4601 |
| 7. Rear Axle- STDS4S2225 | 21. Footrest (pr)- STDS4S22SF
Elevating Leg Rest (pr)- LK3JELR |
| 8. Tipping Sleeve- STDS4020 | 22. Footrest Bumper- STDS1026 |
| 9. Wheel Lock Left- STDS4S221L
Wheel Lock Right- STDS4S221R
Wheel Lock Tip- STDS8M4603 | 23. Calf Strap- STDS5N2201 |
| 10. Seat/Arm Saddle- STDS5N2202 | 24. Slide Tube w/Bushing 16"- STDS5N2210
Slide Tube w/Bushing 18"- STDS5N2210
Slide Tube w/Bushing 20"- STDS8M4925 |
| 11. Seat Upholstery 16"- STDS3J2416
Seat Upholstery 18"- STDS3J2418
Seat Upholstery 20"- STDS3J2420 | 25. Seat Upholstery Hardware (8 ea)- STDS1072-8 |
| 12. Dust Cap- STDS8M4651 | 26. Seat Rail Guide- STDS1070 |
| 13. Cross Frame 16"- STDS4S22X6
Cross Frame 18"- STDS4S22X8
Cross Frame 20"- STDS4S222X | 27. Arm Pad- STDS5N2219 |
| 14. Side Frame Left- STDS4S2207
Side frame Right- STDS4S2206 | 28. Arm Release Lever- STDS5N2219 |
| | 29. Armrest Desk Left- STDS5N22DL
Armrest Desk Right- STDS5N22DR |
| | 30. Side Guard Left- STDS4S2211 *
Side Guard Right- STDS4S2212 * |
| | 31. Slide Tube Retainer- STDS5N2235 |
| | 32. Frame Plug- STDS5N2234 |
| | 33. Footplate- STDS4S0906-1 |

*** Serial # 4S1211..... & higher.**