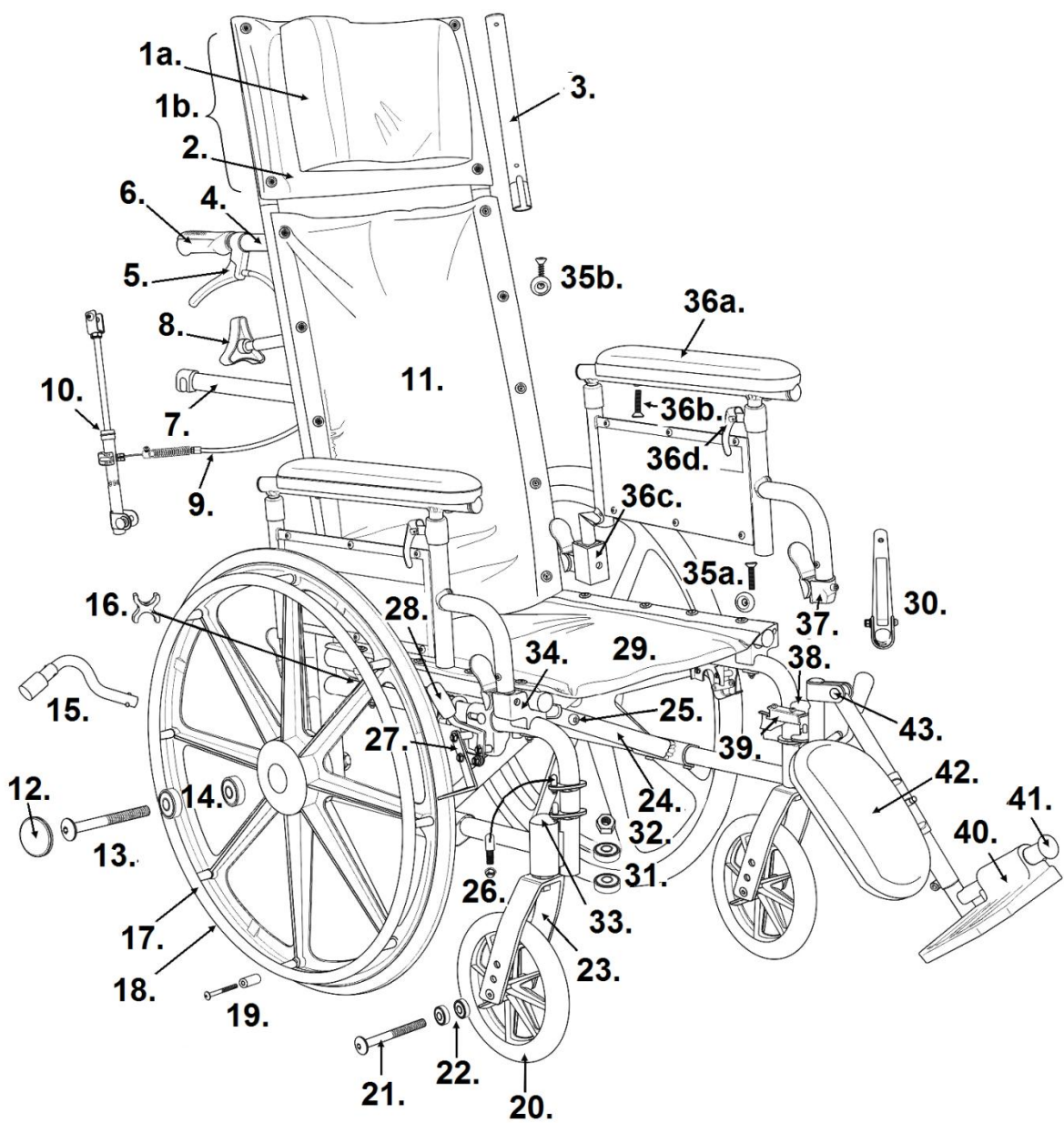


VIPER PLUS RECLINER



- 1a. Headrest Pillow- STDS2009
- 1b. Headrest Assy. w/o Pillow 12"- STDS2A3212
Headrest Assy. w/o Pillow 14"- STDS2A3214
Headrest Assy. w/o Pillow 16"- STDS2A3216
Headrest Assy. w/o Pillow 18"- STDS2A3218
Headrest Assy. w/o Pillow 20"- STDS2A3220
- 2. Headrest Upholstery 12"- STDS2A3232
Headrest Upholstery 14"- STDS2A3234
Headrest Upholstery 16"- STDS2A3236
Headrest Upholstery 18"- STDS2A3238
Headrest Upholstery 20"- STDS2A3230
- 3. Headrest Post- STDS2550
- 4. Backrest Cane 12" to 14"- STDS905-JR
Backrest Cane 16" to 20"- STDS905
- 5. Recline Lever Left *- STDS4041
Recline Lever Right *- STDS4040
- 6. Hand Grip- STDS871
- 7. Spreader Bar 12"- STDS908
Spreader Bar 14"- STDS2A2924
Spreader Bar 16"- STDS4S4809
Spreader Bar 18"- STDS4S4810
Spreader Bar 20"- STDS4S4811
- 8. Knob- STDS900K
- 9. Cable- STDS3006
- 10. Reclining Piston Left- STDS4013L
Reclining Piston Right- STDS4013R
- 11. Back Upholstery 12"- STDS2A3312
Back Upholstery 14"- STDS2A3314
Back Upholstery 16"- STDS2A3316
Back Upholstery 18"- STDS2A3318
Back Upholstery 20"- STDS2A3320
- 12. Hub Cap- STDS1000C
- 13. Rear Axle- STDS1005-1
- 14. Rear Wheel Bearing- STDS1012
- 15. Anti-Tippers (pr)- STDS832
- 16. Seat Saddle- STDS4058
- 17. Hand Rim 12" to 14"- STDS2A3413
Hand Rim Blk. 16" to 20"- STDS004012
Hand Rim Al. 16" to 20"- STDS004011
- 18. Rear Wheel 12" to 14"- STDS1025
Rear Wheel Blk. H/R 16" to 20"- STDS1006
Rear Wheel Al. H/R 16" to 20"- STDS1001
- 19. Hand Rim Hardware (8 ea)- STDS1073
- 20. Caster 12" to 14"- STDS3021
Caster 16" to 20"- STDS1002
- 21. Caster Axle- STDS1002-1
- 22. Caster Bearing- STDS1011
- 23. Fork- STDS3003
- 24. Cross Frame 12"- STDS2A3412
Cross Frame 16"- STDS2A3416
Cross Frame 18"- STDS2A3418
Cross Frame 20"- STDS2A3420
- 25. Cross Frame Bolt- STDS001061
- 26. Hanger Pins (4 ea)- STDS1069-4
- 27. Wheel Lock 12" to 14" Left- STDS2A340L
Wheel Lock 12" to 14" Right- STDS2A340R
Wheel Lock 16" to 20" Left- STDS4036L
Wheel Lock 16" to 20" Right- STDS4036R
Wheel Lock 16" to 20" Left (sub)- STDS4015L
Wheel Lock 16" to 20" Right (sub)- STDS4015R
- 28. Wheel Lock Tip- STDS4011
- 29. Seat Upholstery 12"- STDS2352BLK
Seat Upholstery 14"- STDS2354BLK
Seat Upholstery 16"- STDS2356BLK
Seat Upholstery 18"- STDS2358BLK
Seat Upholstery 20"- STDS2360BLK
- 30. Cross Frame Assist 12"- STDS2A3424
Cross Frame Assist 14"- STDS2A3422
- 31. Fork Stem Bearing- STDS1060
- 32. Fork Lock Nut- STDS001045
- 33. Dust Cap- STDS1051
- 34. Seat Rail Bracket Left- STDS2A3140
Seat Rail Bracket Right- STDS2A3141
- 35a. Seat Upholstery Hardware (8 ea)- STDS1072-8
- 35b. Back Upholstery Hardware (8 ea)- STDS5D5504
- 36a. Arm Pad Desk- STDS2A3424
Arm Pad Full- STDS2A3422
- 36b. Arm Pad Bolt- STDS002001
- 36c. Pivot Release Bracket- STDS2A3240
- 36d. Adjustment Lever- STDS2A0044
- 37. Arm Release Lever- STDS4012-3
- 38. Frame Bumper- STDS0000026
- 39. Release Lever Left - STDS00004L
Release Lever Right - STDS00004R
- 40. Foot Plate 12" to 14"- STDS003441
Foot Plate 16" to 20" Left- FWFP-L
Foot Plate 16" to 20" Right- FWFP-R
- 41. Footrest Bumper- STDS1026
- 42. Calf Pad 12" to 14"- STDS2A3442
Calf Pad 16" to 20"- STDS2007NBK
- 43. Elevating Leg Rest Hinge Bolt- WCAELRHB
Elevating Leg Rest 12" to 14"- JLELR-TF
Elevating Leg Rest 16" to 20"- STDS2A3442

* DOES NOT INCLUDE CABLE

ONLY PARTS LISTED ARE AVAILABLE