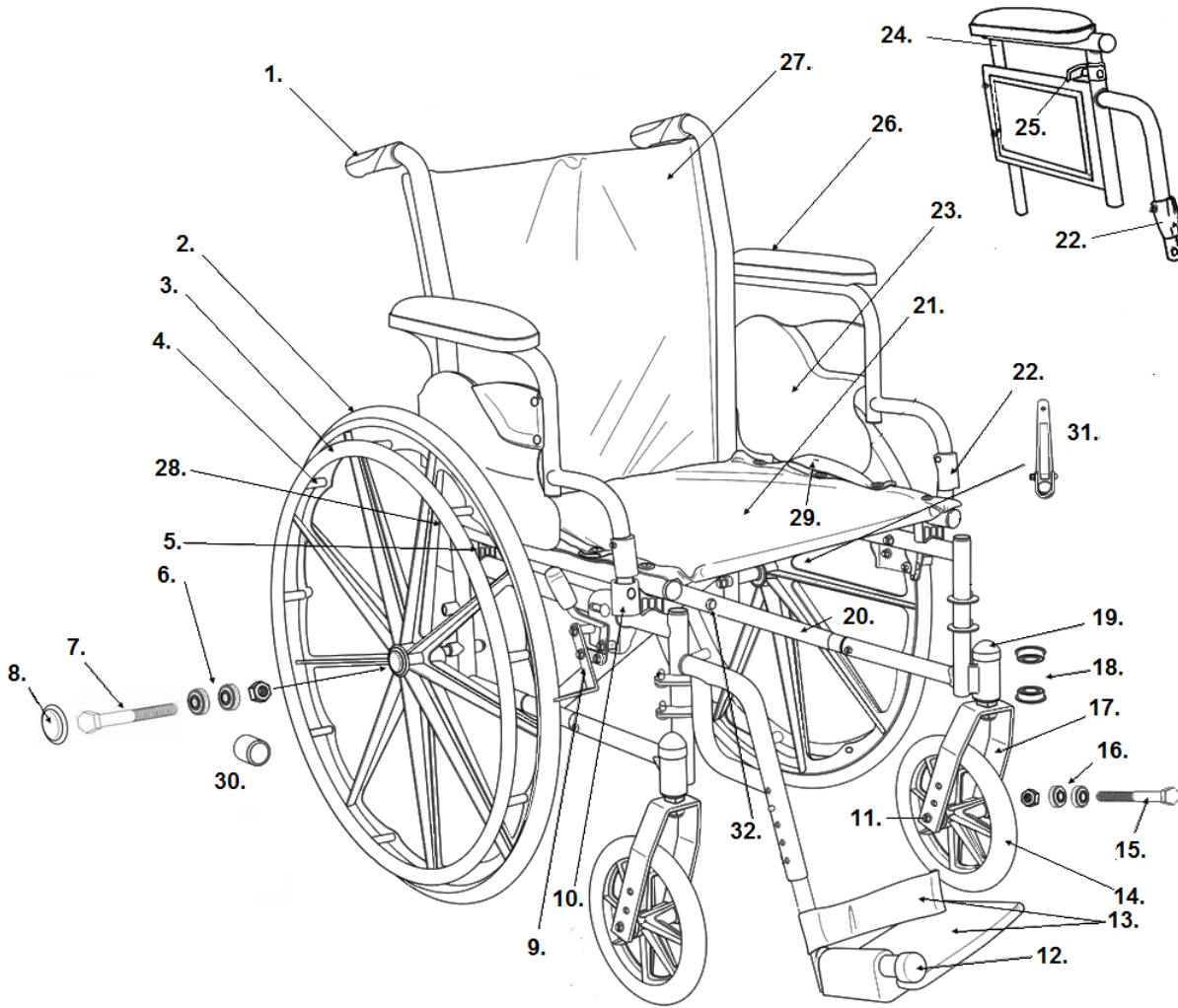


## CRUISER III 3J (SERIAL #)



- |   |  |
|---|--|
| <p>1. Handgrip- STDS3J2403<br/>                 2. Rear Wheel- STDS3J2424<br/>                 3. Hand Rim- STDS3J2400<br/>                 4. Hand Rim Hardware (9 ea)- STDS004609-09<br/>                 5. Rear Seat Saddle- STDS3J2414<br/>                 6. Rear Wheel Bearing- STDS3J2413<br/>                 7. Rear Axle- STDS3J2425<br/>                 8. Hub Cap- STDS3J2421<br/>                 9. Push to Lock Wheel Lock Left- STDS8M462L<br/>                 Push to Lock Wheel Lock Right- STDS8M462R<br/>                 Pull to Lock Wheel Lock Left- STDSK234-PTL<br/>                 Pull to Lock Wheel Lock Right- STDSK234-PTR<br/>                 Wheel Lock Tip- STDS8M4603<br/>                 10. Front Seat Saddle- STDS3J2412<br/>                 11. Axle Cap- STDS001000<br/>                 12. Bumper- STDS3J2450<br/>                 13. Heel Loop &amp; Peg- STDS831<br/>                 Heel loop Peg- STDS3J24SF-HP<br/>                 14. Caster 8 Spoke- STDS3J2432<br/>                 Caster 5 Spoke- STDS3J3900<br/>                 15. Caster Axle- STDS3J2431<br/>                 16. Caster Bearing- STDS1011<br/>                 17. Fork- STDS3J2433<br/>                 18. Fork Stem Bearing- STDS3J2401<br/>                 19. Dust Cap- STDS8M4651<br/>                 20. Cross Frame 16"- STDS3J24X6-AD<br/>                 Cross Frame 18"- STDS3J24X8-AD<br/>                 Cross Frame 20"- STDS3J242X-AD<br/>                 21. Seat Upholstery 16"- STDS3J2416<br/>                 Seat Upholstery 18"- STDS3J2418<br/>                 Seat Upholstery 20"- STDS3J2420</p> | <p>22. Release Lever- STDS3J2419<br/>                 23. Arm Assy. Full Left- STDS3J24LF<br/>                 Arm Assy. Full Right- STDS3J24RF<br/>                 Arm Assy. Desk Left- STDS3J24DL<br/>                 Arm Assy. Desk Right- STDS3J24DR<br/>                 Adj. Ht Arm Assy. Full Left- STDS3J24AFL<br/>                 Adj. Ht Arm Assy. Full Right- STDS3J24AFR<br/>                 Adj. Ht Arm Assy. Desk Left- STDS3J24AL<br/>                 Adj. Ht Arm Assy. Desk Right- STDS3J24AR<br/>                 24. Upper Adj. Arm Full Left- STDS3J24AFL-UFL *<br/>                 Upper Adj. Arm Full Right- STDS3J24AFR-UFR *<br/>                 Upper Adj. Arm Desk Left- STDS3J24AL-UDL *<br/>                 Upper Adj. Arm Desk Right- STDS3J24AR-UDR *<br/>                 25. Adj. Height Release Left- STDS2A0046<br/>                 Adj. Height Release Right- STDS2A0044<br/>                 26. Arm Pad Desk- STDS3J24SKVB<br/>                 Arm Pad Full- STDS3J24FLVB<br/>                 27. Back Upholstery 16"- STDS3J2406<br/>                 Back Upholstery 18"- STDS3J2408<br/>                 Back Upholstery 20"- STDS3J2402<br/>                 28. Flip Back Arm Bracket- STDS3J2409<br/>                 29. Upholstery Strap- STDS3J2411<br/>                 30. Tipping Sleeve- STDS3J2422<br/>                 31. Cross Frame Assist 16"- STDS3J2436<br/>                 Cross Frame Assist 18"- STDS3J2438<br/>                 Cross Frame Assist 20"- STDS3J2440<br/>                 32. Cross Frame Bolt- STDS001061-K3</p> |
|---|--|

\* Includes arm pad.  
 Footrest (pr)- STDS3J24SF  
 Elevating Leg Lest (pr)- LK3JELR