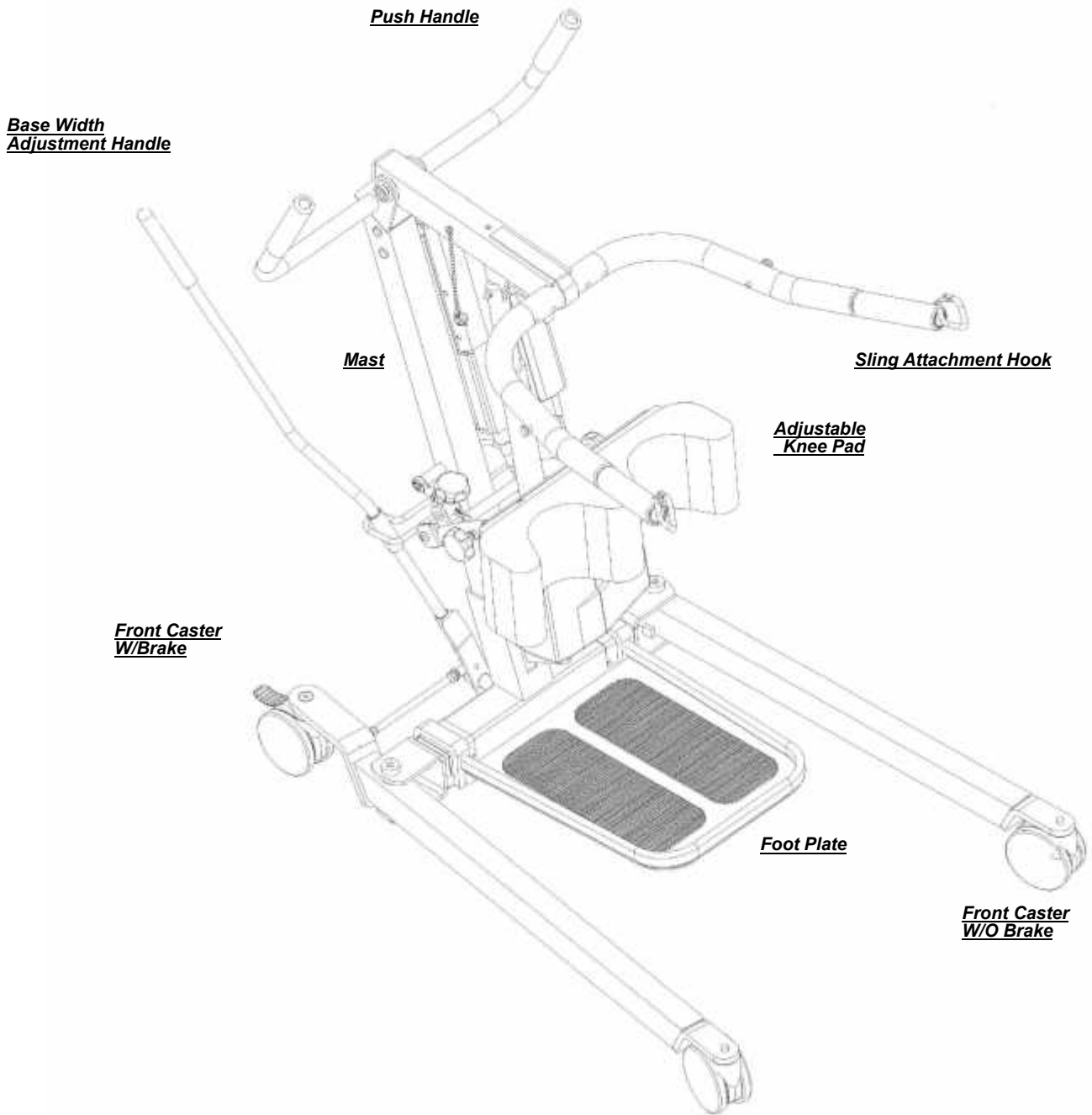


USER MANUAL

Item: #13246 – Stand-Aid Lift

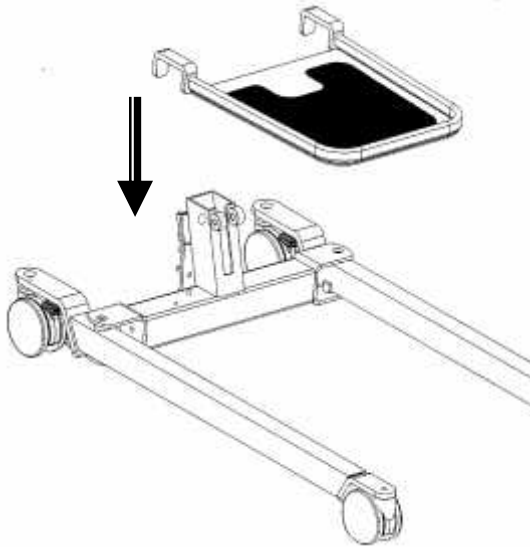


IMPORTANT SAFEGUARDS

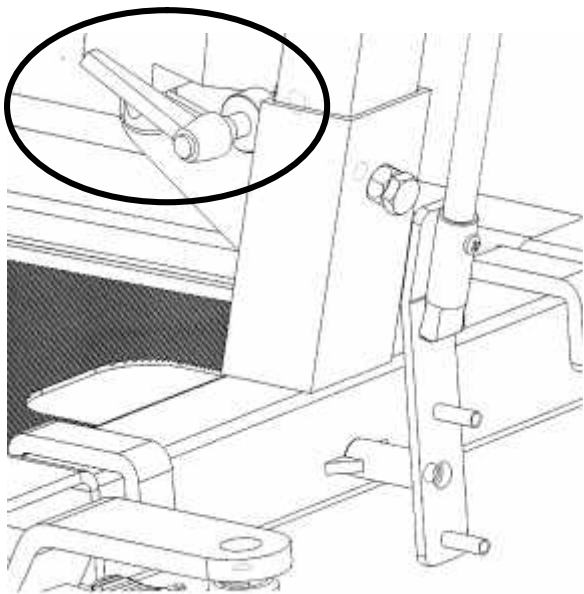
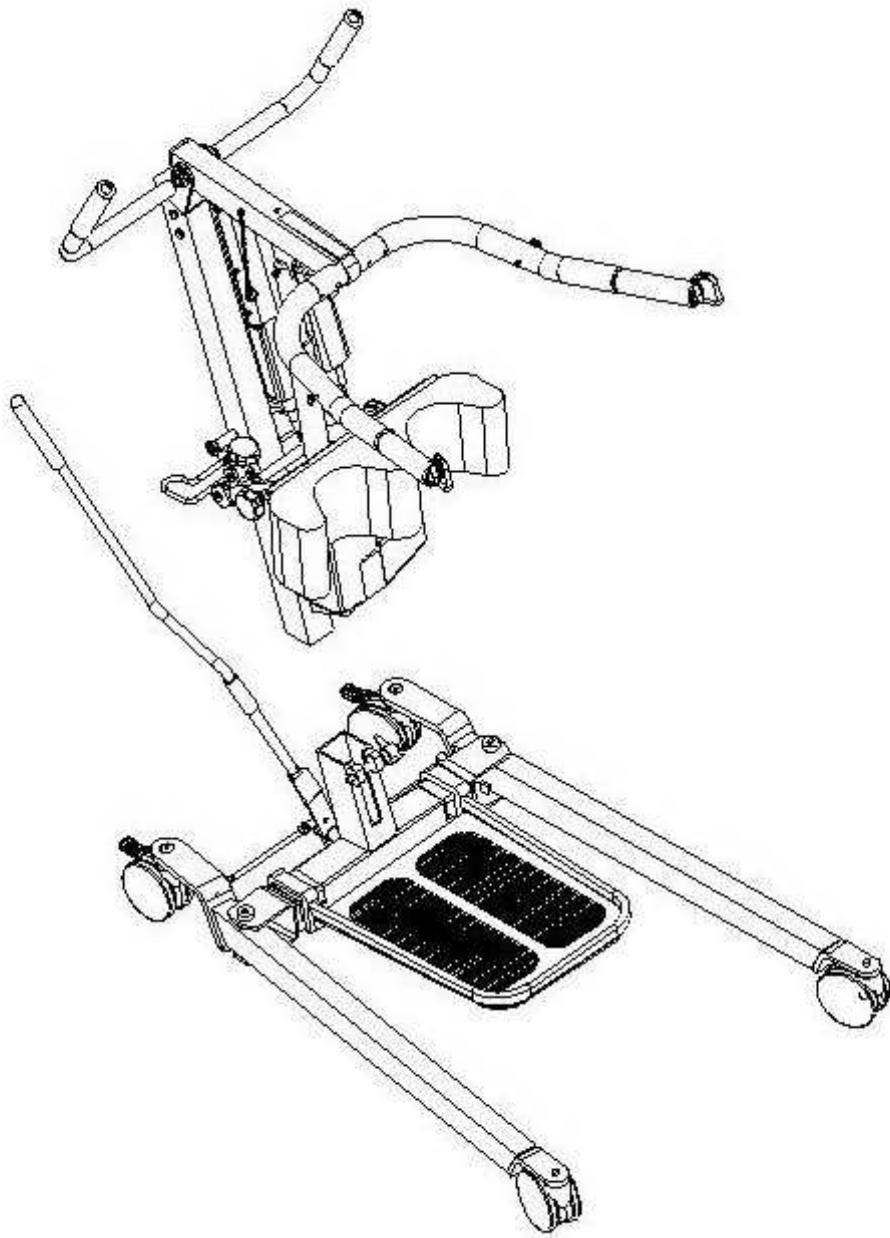
- Your lift is for transferring patients only. Do not use the lift for any other purpose.
- “Stand-Aid Lift” is intended to be used for persons within the specified weight limit indicated for the lift. Do not attempt to lift more than the weight limit indicated.
- Before attempting to transfer, the user must be assessed by a qualified professional.
- The lift must be used by a caregiver with proper training to work with the person to be transferred.
- Only trained and qualified caregivers should transfer a person. Do not attempt to use the lift if you have not been properly trained to do so.
- Always be prepared before attempting to transfer a person.
- Do not use a sling that is not recommended for the lift.
- Do not store the lift in a shower, bath or other area with high humidity.
- Keep all components of the lift clean and dry and have electrical and mechanical safety.
- Always maneuver the lift with the handle provided.

ASSEMBLY INSTRUCTIONS

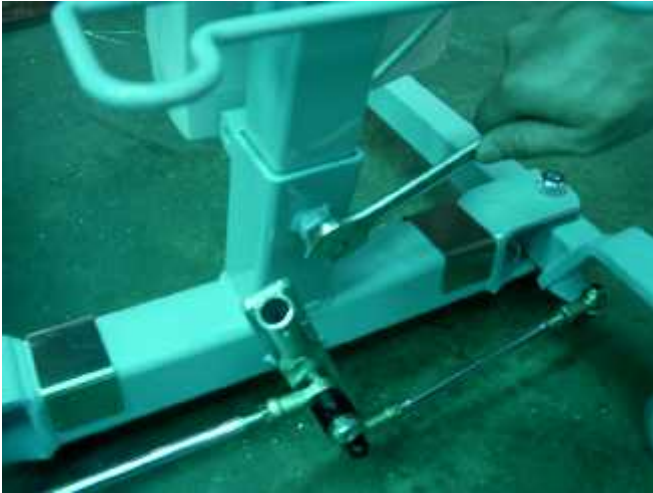
1. Remove all the parts from the carton and place on the floor, taking care to protect the finish from damage.



2. Place the base in a clear space and apply the rear brakes. Attach the “foot plate” to the base.



3. Fit the "mast" and "boom" assembly into the base socket. Tighten the mast assembly with the bolt provided.



Tighten bolt.



Install bottom actuator bolt thru lift and actuator.



Install top actuator pin chain thru lift and actuator.



Install control box onto mounting bracket located on the mast.



Tighten control box mounting screws.



Install battery on top of control box.



Plug the hand control into the socket located on the bottom left side of control box.



Plug the actuator into the bottom middle socket of control box.



Install the base width adjusting handle.

REMARKS:

Please always check the mast is fully locked into position.

I. How to Operate the Stand-Aid Lifter: (Weight Lifting Capacity: 400 lbs.)

Important: Prior to first use, please make sure that the battery has been charged for 24 hours in order to reach proper function and prolong the lifetime of battery.

1. Spread the base legs to the widest position before lifting.
2. Keep the patient centered between the base legs and have the patient face the attendant.
3. Be extremely cautious and use restraint straps for spastic or severely handicapped patients.
4. How to use Standard or Commode Slings:
 - a. For smooth and easy lifting, have the lift, sling, commode or wheelchair in ready position.
 - b. With the patient in center of bed, roll on side away from the attendant.
 - c. Roll the patient to the side toward the attendant and center the patient on sling. With base of lifter under bed, press the “↓” button on the control handset to lower the boom (#20).
 - d. Hook the hanging strips of sling with the hanging bar carefully. If a chain is used, make sure the “S” hooks are away from the patient.
 - e. Lock rear casters, lift the patient by pressing the “↑” button on the control handset.
 - f. Lift patient until his or her feet will swing easily off the bed, keeping patient facing the attendant.
 - g. Unlock rear casters and transfer patient to and above commode or wheelchair. Lock brakes of both lifter and commode (or wheelchair).
 - h. Press the “↓” button on the control handset to gradually lower the patient.
 - i. During descent, assist patient to attain correct sitting posture.
 - j. For transferring to wheelchair, when patient is seated, push down on boom to slacken hanging strips of sling. Patient can remain seated in sling.
 - k. For commode use, adjust clothing before moving lift to straddle commode. Keep hanging strips taut and make sure patient is in a comfortable position.

Trouble Shooting (Linak LA34 System)

<i>Normal Symptom</i>	<i>Possible Cause</i>	<i>Action</i>
Power indicator does not light up.	<ul style="list-style-type: none"> ◆ Not connected to control box ◆ The fuse has blown 	<ul style="list-style-type: none"> ◆ Connect to control box ◆ Replace fuse, if the system is prepared for external fuse replacement, or send the system to repair
	◆ Control box defective	◆ Replace control box
Power indicator lights up But actuator does not run.	◆ Actuator plug not pushed into control properly	◆ Push actuator plug into control box properly
Relays in control box are heard clicking.	<ul style="list-style-type: none"> ◆ Actuator defective ◆ Control box defective 	<ul style="list-style-type: none"> ◆ Replace actuator ◆ Replace control box
Power indicator lights up but actuator does not run.	<ul style="list-style-type: none"> ◆ Control box defective ◆ Handset defective 	<ul style="list-style-type: none"> ◆ Replace control box ◆ Replace hand control

No relay noise is heard from control box.	◆ Handset plug not insert properly	◆ Check all cord connections
	◆ Emergency stop engaged	◆ Deactivate emergency stop
	◆ Charger plugged in	◆ Unplug charger

Control box completely dead on battery and no relay	◆ Battery completely discharged	◆ Charge battery
	◆ Battery defective	◆ Replace battery

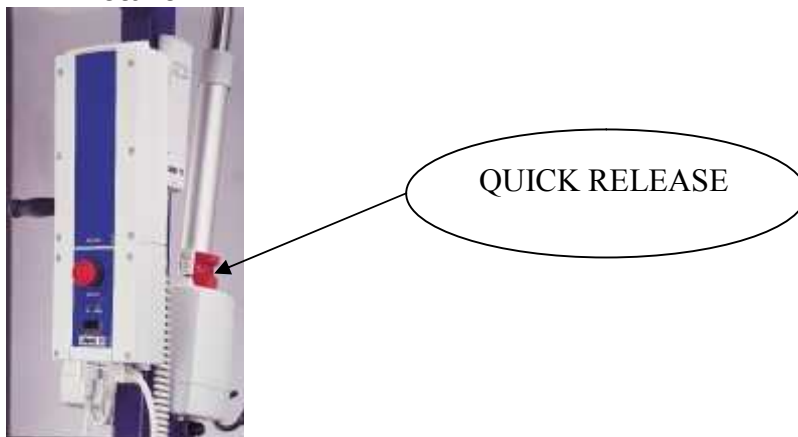
clicking is heard.

Control box okay apart from	◆ handset defective	◆ Replace hand control
One direction on one channel	◆ Control box defective	◆ Replace control box

Warning and Caution!

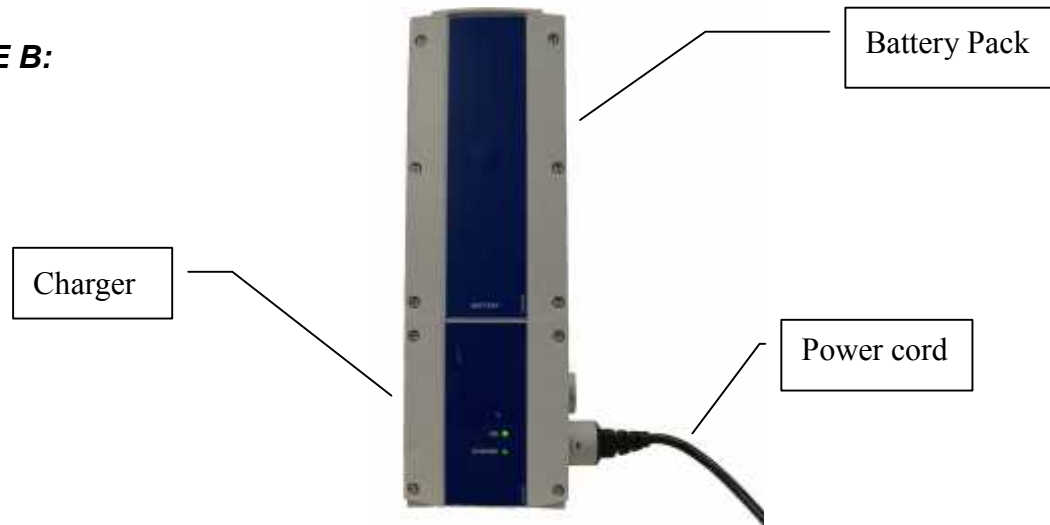
1. Patient lifter is a Transfer Device that allows patient attendant to transfer patients from bed to wheelchair or commode...etc. It however should not be used to transport patients.
2. When lifting patient, make sure the base legs are in the most widely opened position and the rear caster brakes are engaged. Otherwise, the lifter may tilt over.
3. When battery power is 50% low, the controller will give "beep" warning. At this moment, you should charge the battery immediately. Please note that a lifted patient cannot be lowered down when battery is out of power.
4. Push the "Emergency" red button if the control unit system is out of control.
5. "QUICK RELEASE" system (push/pull) enables stepless retraction of the actuator under load (Mechanical emergency lowering). Refer to Picture A.

Picture A:



6. How to Charge: (please refer to Picture B)
 - a. Remove the battery pack from the lift.
 - b. Install the battery pack into the wall mounted or free standing external charger.
 - c. Plug the mounted or freestanding external charger into a wall outlet. The battery is now charging. The "Charge" and "Power" lights are on.
 - d. When the battery is finished charging the "Charge" light goes off automatically. (Usually the battery needs 4 hours to when at 50% capacity to 100% capacity.
 - e. Unplug the charger from the wall out.
 - f. Remove the battery pack from the charger and install it on the lift.
 - g. Now the lift is ready to be used.

PICTURE B:



Maintenance:

It is extremely important that the lift be inspected before each use. The following items need to be checked:

- a. All nuts and bolts should be tight.
- b. The lifter should move freely with caster brakes off.
- c. Check the brakes on the rear casters for proper operation.
- d. Make sure base adjustment mechanism is operating easily.
- e. Double check to ensure the “U” bracket at the end of the boom and the “S” hook on the hanging bar are secured tightly.
- f. Work the Linak Actuator to ensure that the battery still has enough power. When battery is 50% below full capacity, it will give “beep” warning and need to re-charge immediately.
- g. Before initial use, place a drop of oil on the following areas.
 - (1) Where mast and boom connect, hanging bar hook, pump handle hinge, and caster axles,
 - (2) Where pump and boom attach,
 - (3) Lubricate as above every two to three months.

* We reserves the right to make technical changes without notice
Manufactured For:

Drive Medical Design & Manufacturing

99 Seaview Boulevard
Port Washington, NY 11050
Phone: 516-998-4600
Fax: 516-998-4601



Drive Medical Design and Manufacturing
www.drivemedical.com

www.drivemedical.com