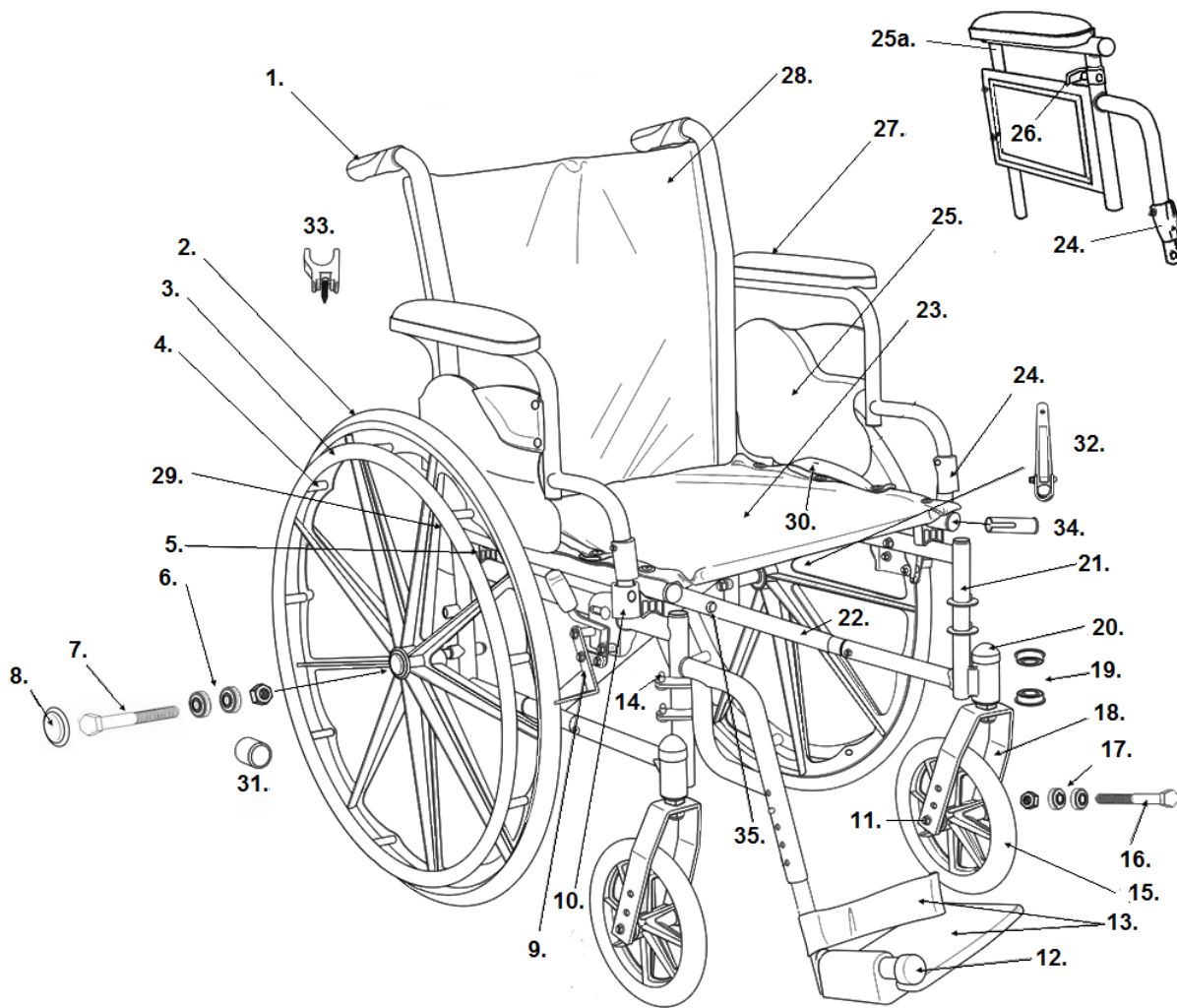


CRUISER III (5D SERIAL #)



- | | |
|---|---|
| <p>1. Handgrip- STDS3J2403
 2. Rear Wheel- STDS3J2424
 3. Hand Rim- STDS3J2400
 4. Hand Rim Hardware (9 ea)- STDS004609-09
 5. Rear Seat Saddle- STDS3J2414
 6. Rear Wheel Bearing- STDS3J2413
 7. Rear Axle- STDS3J2425
 8. Hub Cap- STDS3J2421
 9. Push to Lock Wheel Lock Left- STDS8M462L
 Push to Lock Wheel Lock Right- STDS8M462R
 Pull to Lock Wheel Lock Left- STDSK234-PTL
 Pull to Lock Wheel Lock Right- STDSK234-PTR
 Wheel Lock Tip- STDS8M4603
 10. Front Seat Saddle- STDS3J2412
 11. Axle Cap- STDS001000
 12. Bumper- STDS3J2450
 13. Heel Loop & Peg- STDS831
 Heel loop Peg- STDS3J24SF-HP
 14. Hanger Pins (4 ea)- STDS5D1069
 15. Caster 8 Spoke- STDS4S2432
 16. Caster Axle- STDS8M4631
 17. Caster Bearing- STDS1011HD
 18. Fork- STDS8M4633
 19. Fork Stem Bearing- STDS8M4601
 20. Dust Cap- STDS8M4651
 21. Side Frame Left- STDS5D24L1
 Side Frame Right- STDS5D24R1
 22. Cross Frame 16"- STDS5D24X6
 Cross Frame 18"- STDS5D24X8
 Cross Frame 20"- STDS5D242X
 Cross Frame 16" Adj. Depth- STDS3J24X6-AD
 Cross Frame 18" Adj. Depth- STDS3J24X8-AD
 Cross Frame 20" Adj. Depth- STDS3J242X-AD
 23. Seat Upholstery 16"- STDS5D2497
 Seat Upholstery 18"- STDS8M4518
 Seat Upholstery 20"- STDS5D2498
 Seat Uphol. 16" Adj. Depth- STDS4S2416-AD
 Seat Uphol. 18" Adj. Depth- STDS4S2418-AD
 Seat Uphol. 20" Adj. Depth- STDS4S2420-AD</p> | <p>24. Release Lever- STDS3J2419
 25. Arm Assy. Full Left- STDS3J24LF
 Arm Assy. Full Right- STDS3J24RF
 Arm Assy. Desk Left- STDS3J24DL
 Arm Assy. Desk Right- STDS3J24DR
 Adj. Ht Arm Assy. Full Left- STDS3J24AFL
 Adj. Ht Arm Assy. Full Right- STDS3J24AFR
 Adj. Ht Arm Assy. Desk Left- STDS3J24AL
 Adj. Ht Arm Assy. Desk Right- STDS3J24AR
 25a. Upper Adj. Arm Full Left- STDS3J24AFL-UFL *
 Upper Adj. Arm Full Right- STDS3J24AFR-UFR *
 Upper Adj. Arm Desk Left- STDS3J24AL-UDL *
 Upper Adj. Arm Desk Right- STDS3J24AR-UDR *
 26. Adj. Height Release Left- STDS2A0046
 Adj. Height Release Right- STDS2A0044
 27. Arm Pad Desk- STDS5D24VB
 Arm Pad Full- STDS5D24VB
 28. Back Upholstery 16"- STDS3J2406
 Back Upholstery 18"- STDS3J2408
 Back Upholstery 20"- STDS3J2402
 28. Back Upholstery 16" Adj. Depth- STDS3J2406N
 Back Upholstery 18" Adj. Depth- STDS3J2408N
 Back Upholstery 20" Adj. Depth- STDS3J2402N
 29. Flip Back Arm Bracket- STDS3J2409
 30. Upholstery Strap- STDS3J2411
 31. Tipping Sleeve- STDS3J2422
 32. Cross Frame Assist 16"- STDS3J2436
 Cross Frame Assist 18"- STDS3J2438
 Cross Frame Assist 20"- STDS3J2440
 33. Rear Arm Latch- STDS5D2499
 34. Seat Extension Screw (pr)- STDS5D24XF-S
 Seat Extension & Screw (pr)- STDS5D24XF-ET
 35. Cross Frame Bolt-</p> |
|---|---|

* Includes arm pad.
 Footrest (pr)- STDS3J24SF
 Elevating Leg Lest (pr)- LK3JELR